

# A FORCE TO BE RECKONED WITH.

## THE BMW GRAN COUPE AND GRAN TURISMO.

Driving is elevated to an art form with the BMW 6 Series. Both the Gran Coupe and Gran Turismo deliver a thrilling drive every time.

BMW 6 SERIES

6

# BECAUSE LIFE IS AN ADVENTURE.

Sportiness, exclusivity and luxury combine for a distinctive presence on the road. From the slats of the iconic kidney grille and elongated, dramatically lined hood to the elaborate crease lines along the side, there's no mistaking the dynamic elegance of the 6 Series Gran Coupe. There's only one thing to do behind the wheel: accelerate.



## BMW 6 SERIES GRAN COUPE

[EXTERIOR COLORS](#)

[UPHOLSTERY](#)

[INTERIOR TRIMS](#)

[WHEELS / TIRES](#)

[PACKAGES](#)

[TECHNICAL DATA](#)



## **THE FORCE IS WITH YOU.**

The sound of the BMW 6 Series TwinPower Turbo engine is like no other: sonorous, forceful, passionate and bold. It emanates from chrome-plated tailpipe finishers, enhancing the sporty character of the Gran Coupe. A majestic performance is assured each time you hit the road.



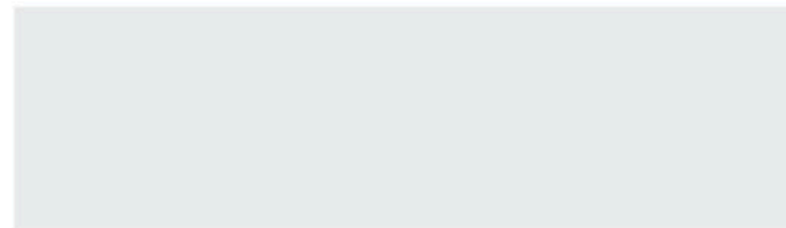
## **SUBLIME SEATING.**

In the spacious cabin, absolute luxury joins with exceptional comfort in supple leather surfaces, exotic fine-wood trims and intuitive controls. Experience the flawless design, ergonomic seating and meticulous craftsmanship for yourself.

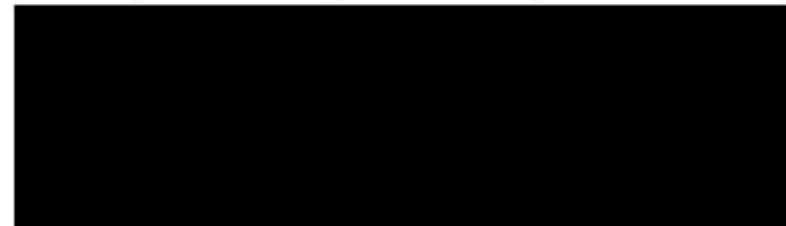
# 6 SERIES GRAN COUPE

## EXTERIOR COLORS

### NON-METALLIC

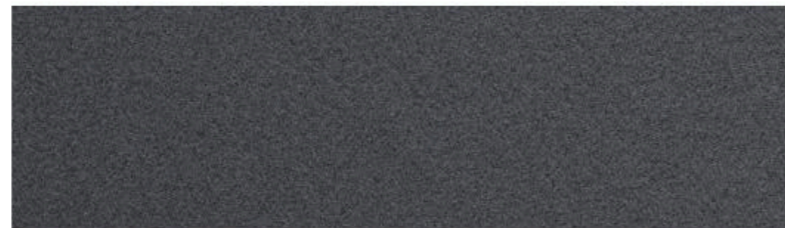


**300** Alpine White (NonMetallic)

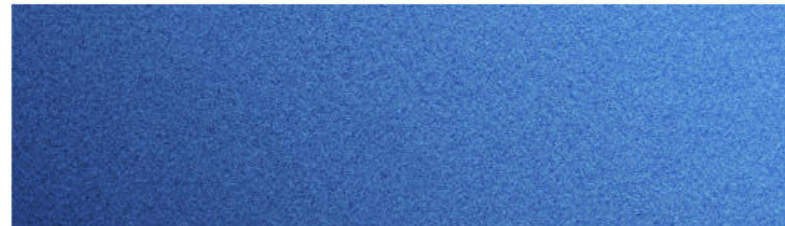


**668** Jet Black (NonMetallic)

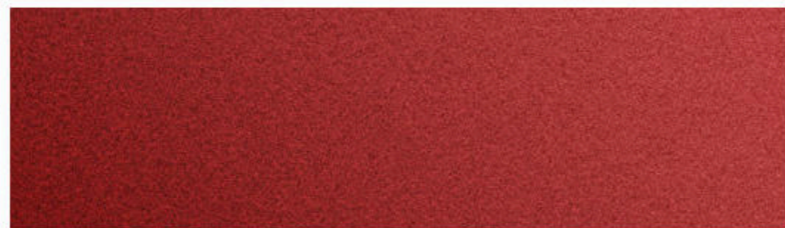
### METALLIC



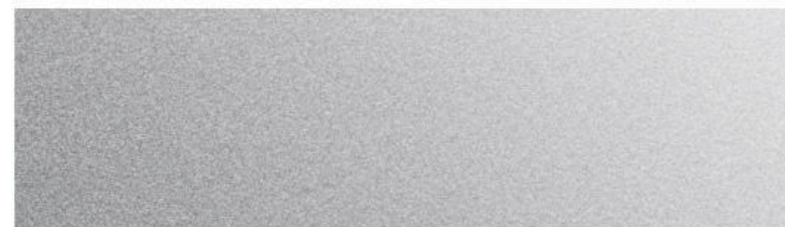
**A52** Space Gray Metallic



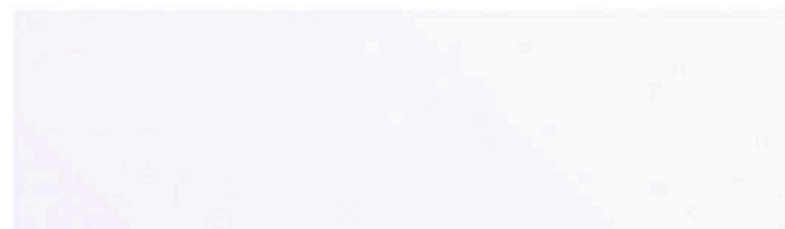
**C1A** Sonic Speed Blue



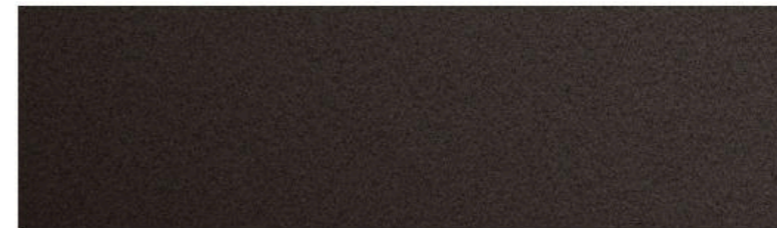
**A75** Melbourne Red Metallic



**A83** Glacier Silver Metallic



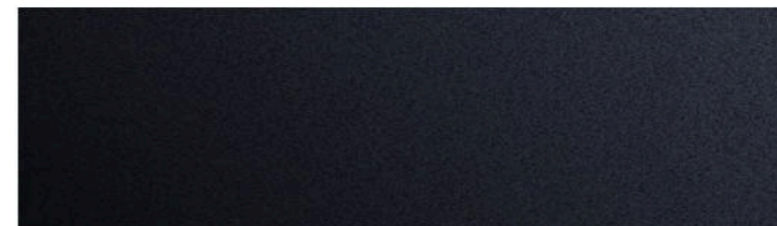
**A96** Mineral White Metallic



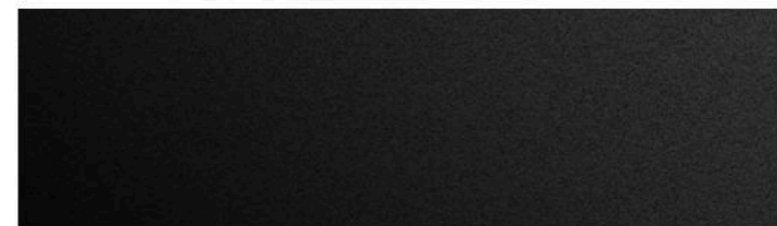
**B65** Jatoba Brown Metallic



**C10** Mediterranean Blue Metallic



**416** Carbon Black Metallic

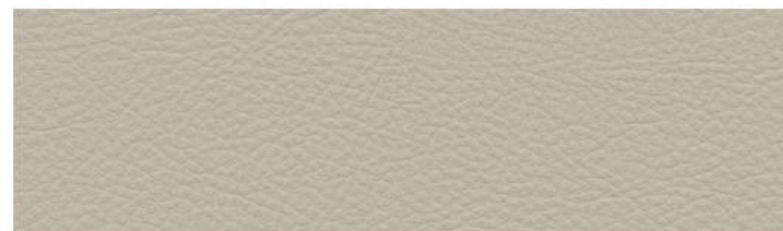


**475** Black Sapphire Metallic

# 6 SERIES GRAN COUPE

## UPHOLSTERY

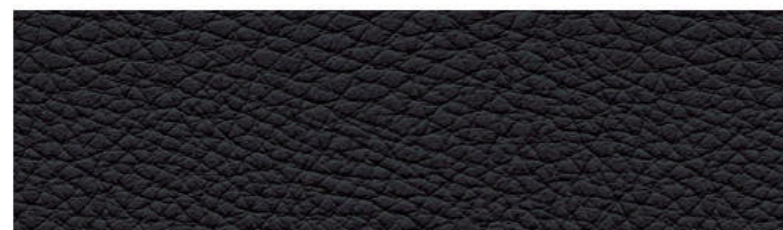
### DAKOTA LEATHER



**LCEX** Ivory White Dakota Leather



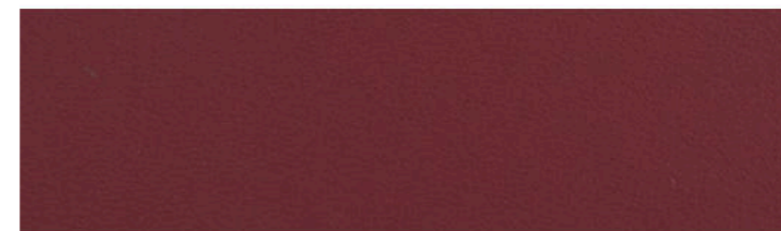
**LCEZ** Cinnamon Brown Dakota Leather



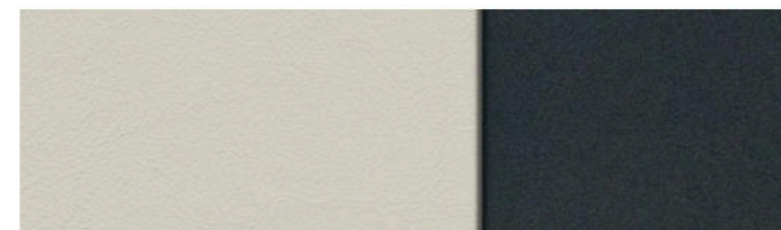
**LCSW** Black Dakota Leather

Leather on all seating surfaces; other components may be Leather or SensaTec.

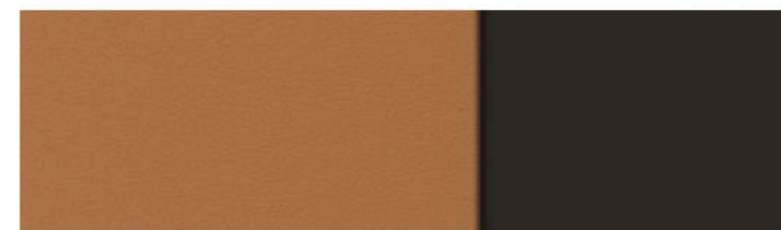
### NAPPA LEATHER



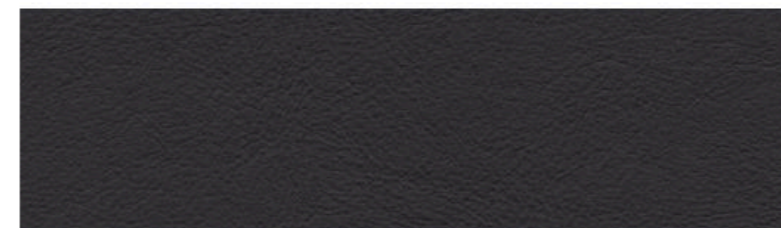
**NABY** Vermilion Red Nappa Leather



**NAEP** Ivory White/Black Bi-Color Nappa Leather



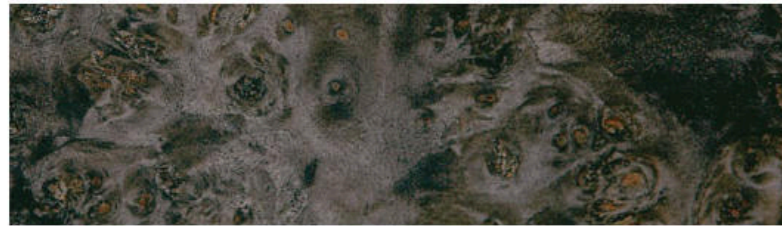
**NARQ** Cognac/Black Bi-Color Nappa Leather



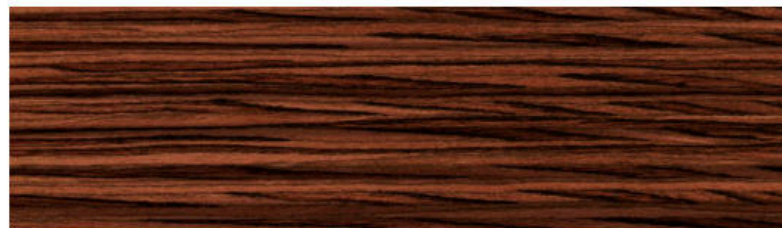
**NASW** Black Nappa Leather

# 6 SERIES GRAN COUPE

## INTERIOR TRIMS



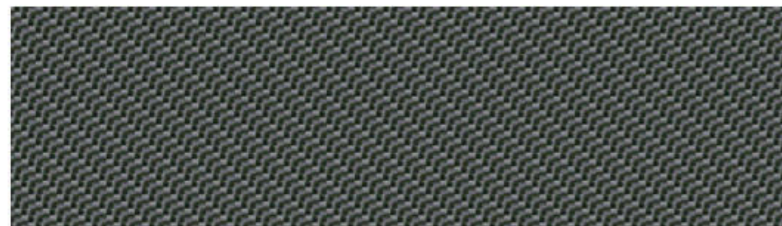
**4AS** Gray Poplar Wood trim



**4E0** Fineline Brown wood trim



**4B9** Brushed Aluminum Trim



**4MC** Carbon Fiber Interior Trim

# 6 SERIES GRAN COUPE

## WHEELS / TIRES



**18" Star-spoke wheels, style 365,**  
18 x 8.0; and 245/45 all-season<sup>1</sup> run-flat<sup>3</sup> tires



**19" V-spoke wheels, style 366,**  
19 x 8.5 front, 19 x 9.0 rear; and 245/40 front,  
275/35 rear performance<sup>1,2</sup> run-flat<sup>3</sup> tires  
19 x 8.5; and 245/40 all-season<sup>1</sup> run-flat<sup>3</sup> tires



**19" Multi-spoke wheels, style 423,**  
19 x 8.5; and 245/40 all-season<sup>1</sup> run-flat<sup>3</sup> tires



**19" Double-spoke wheels, style 351M,**  
19 x 8.5 front, 19 x 9.0 rear; and 245/40 front,  
275/35 rear performance<sup>1,2</sup> run-flat<sup>3</sup> tires  
19 x 8.5; and 245/40 all-season<sup>1</sup> run-flat<sup>3</sup> tires



**20" BMW Individual V-spoke forged  
wheels, style 374I**  
20 x 8.5 front, 20 x 9.0 rear; and 245/35 front,  
275/30 rear performance<sup>1,2</sup> run-flat<sup>3</sup> tires



**20" M Double-spoke wheels, style 703M,**  
20 x 8.5 front, 20 x 9.0 rear; and 245/35 front,  
275/30 rear performance<sup>1,2</sup> run-flat<sup>3</sup> tires



**20" Multi-spoke wheels, style 616,**  
20 x 8.5 front, 20 x 9.0 rear; and 245/35 front,  
275/30 rear performance<sup>1,2</sup> run-flat<sup>3</sup> tires

<sup>1</sup> Driving over rough or damaged road surfaces, as well as debris, curbs and other obstacles, can cause serious damage to wheels, tires and suspension parts. This is more likely to occur with low-profile tires, which provide less cushioning between the wheel and the road. Be careful to avoid road hazards and reduce your speed, especially if your vehicle is equipped with low-profile tires.

<sup>2</sup> Performance tires are not recommended for driving in ice and snow conditions.

<sup>3</sup> Run-flat tires do not come equipped with a spare wheel and tire.

Wheel and tire specifications are subject to change. Not all features are available on all models. Get the latest information on standard and optional features, packages and technical specifications. Visit [bmwusa.com](http://bmwusa.com) and select the BMW model of your choice.

# 6 SERIES GRAN COUPE

## PACKAGES

### M SPORT PACKAGE

19" Double-spoke wheels, style 351M (options available)  
M steering wheel  
Aerodynamic kit  
Anthracite Alcantara® Headliner (option available)  
Shadowline exterior trim (option available)  
Increased top-speed limiter with performance tires

### PARKING ASSISTANCE PACKAGE

Side and Top View Cameras  
Parking Assistant

### DRIVING ASSISTANCE PACKAGE

Active Blind Spot Detection  
Active Driving Assistant<sup>1</sup>  
Head-up Display  
Speed Limit Info

### BMW INDIVIDUAL COMPOSITION

Shadowline exterior trim (option available)  
Anthracite Alcantara® Headliner (option available)  
Individual Door Sill Finishers  
Piano Black trim (options available)  
Full Merino Leather upholstery

### DRIVING ASSISTANCE PLUS PACKAGE

ACC Stop & Go<sup>2</sup>  
Active Driving Assistant<sup>1</sup>  
Extended Collision Mitigation

### BLACK ACCENT PACKAGE

20" Multi-spoke wheels, style 616 (option available)  
Fineline Brown Wood Trim (options available)  
Shadowline exterior trim  
Cognac / Black Bi-Color Nappa Leather  
Black exterior design elements

### EXECUTIVE PACKAGE

Soft-close automatic doors  
Power rear sunshade and rear-side window shades  
Front ventilated seats  
Contrast stitching  
4-zone automatic climate control  
Nappa Leather-wrapped instrument panel  
Ceramic Controls  
Multi-contour seats  
Harman Kardon® Surround Sound System  
Concierge Services

### COLD WEATHER PACKAGE

Heated Steering Wheel  
Heated rear seats

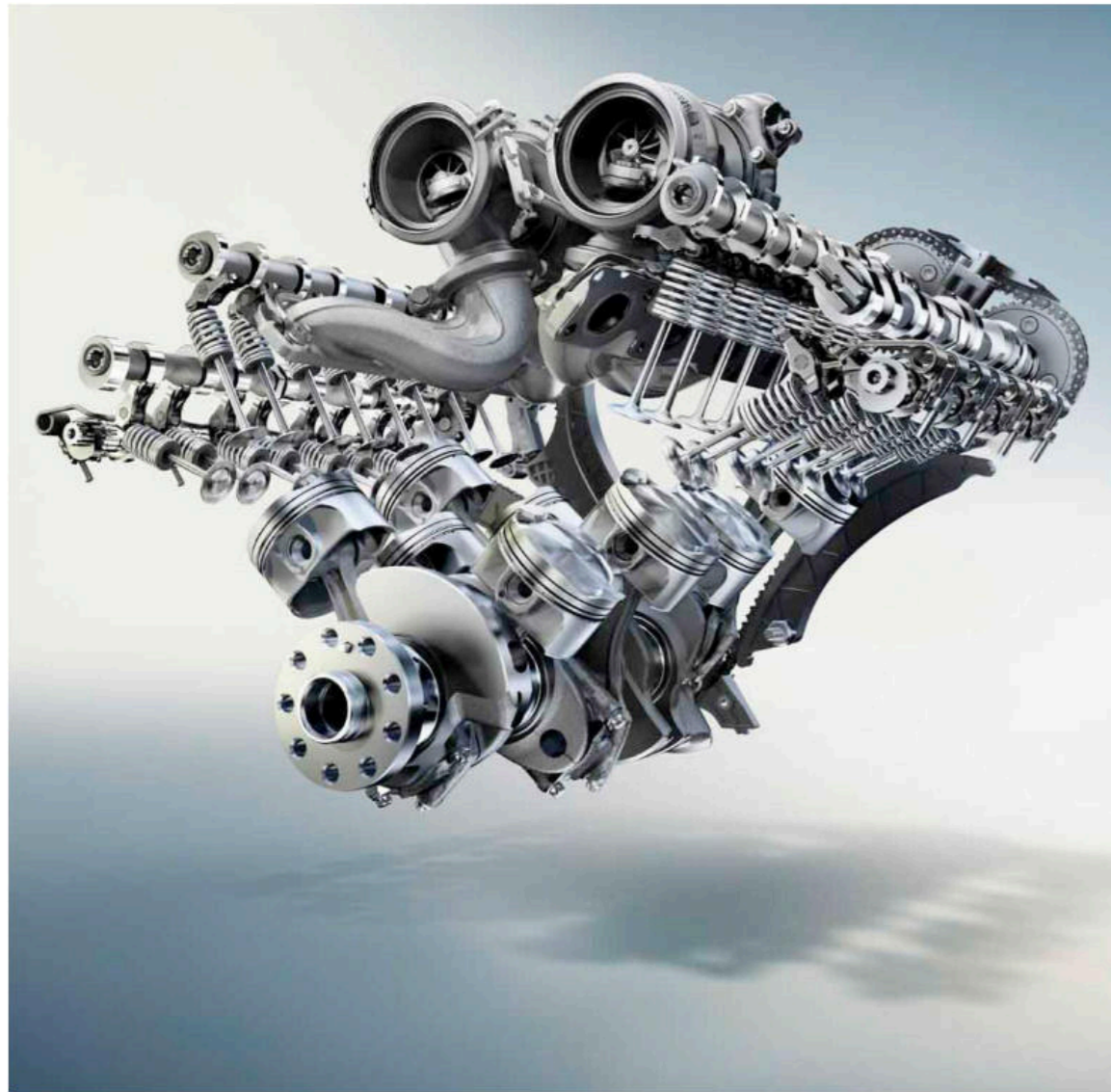
<sup>1</sup> Active Driving Assistant is not a substitute for the driver's own responsibility in maintaining safe control of the vehicle. Part of Active Driving Assistant, Lane Departure Warning requires clearly definable lane markings that are not obscured by rain, snow, etc.

<sup>2</sup> This feature is not a substitute for the driver's own responsibility. Due to road, traffic and visibility conditions, the driver decides whether and how the system is used.

Not all features are available on all models. Get the latest information on standard and optional features, packages and technical specifications. Visit [bmwusa.com](http://bmwusa.com) and select the BMW model of your choice.

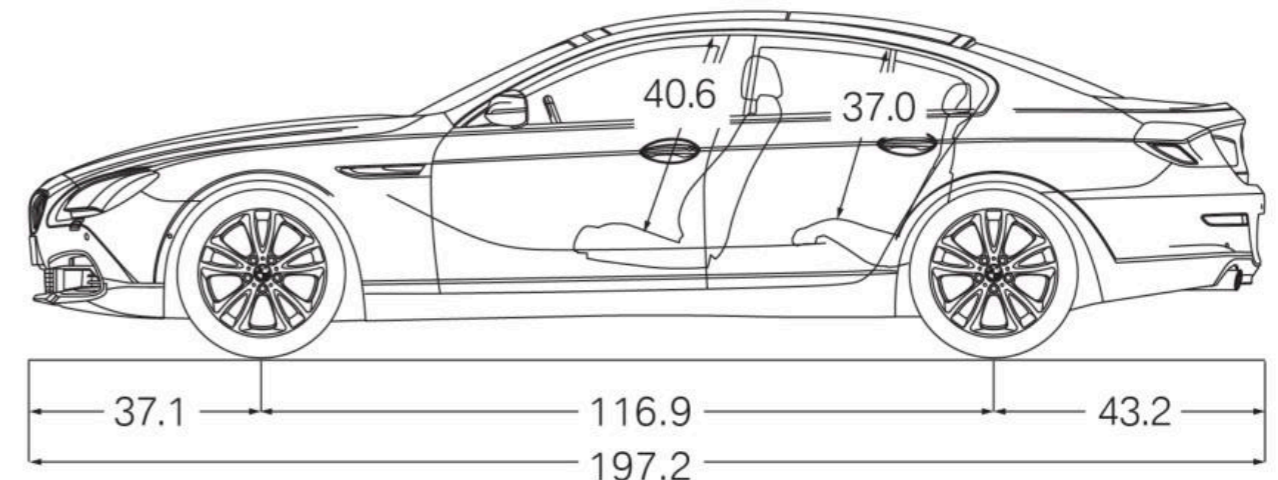
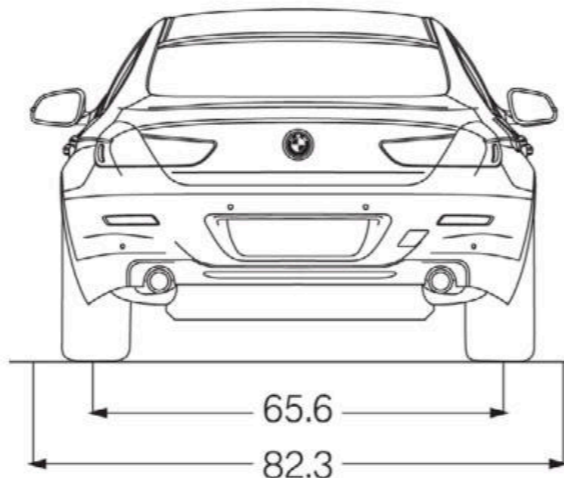
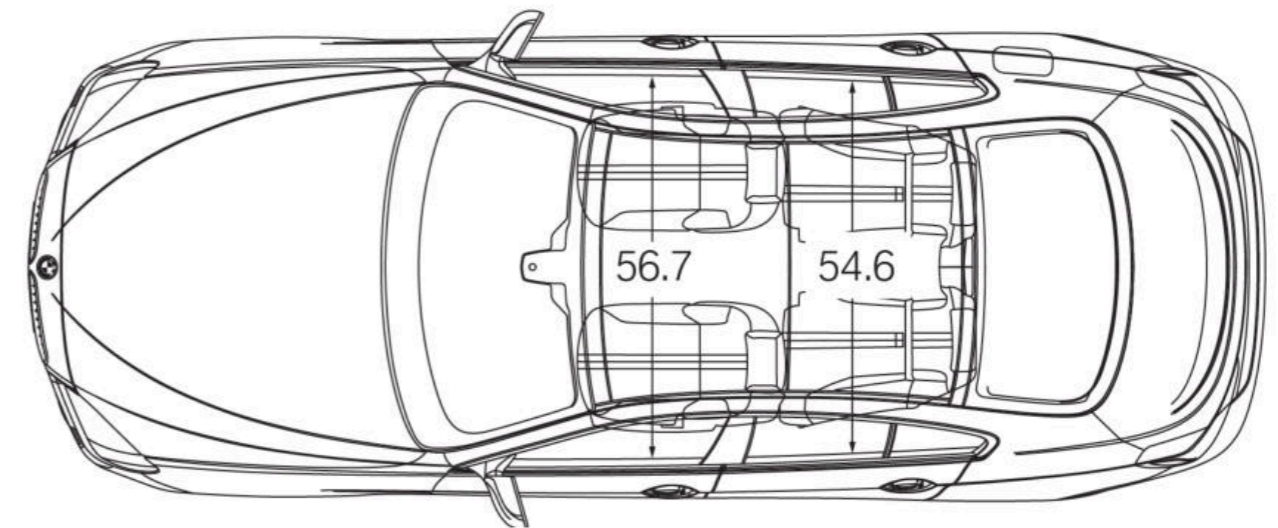
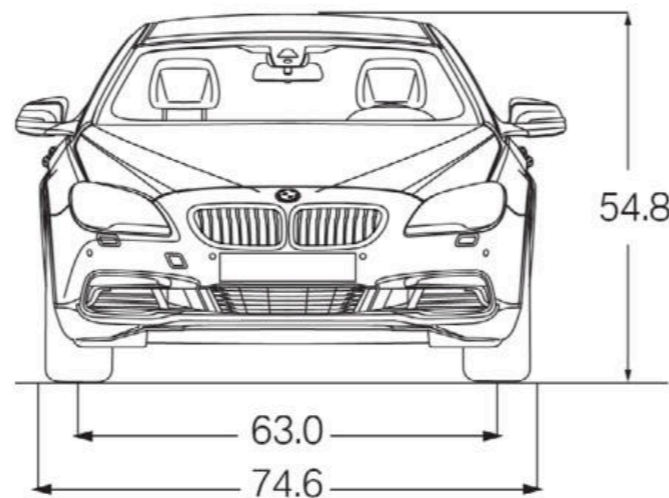
# 6 SERIES GRAN COUPE

## TECHNICAL DATA



	640i	640i xDrive	650i	650i xDrive
ENGINE	3.0-liter TwinPower Turbo inline 6-cylinder		4.4-liter TwinPower Turbo V-8	
OUTPUT @ RPM	315 hp @ 5800-6000 / 332 lb-ft @ 1300-4500		443 hp @ 5500-6000 / 479 lb-ft @ 2000-4500	
0-60 MPH (sec) <sup>1</sup>	5.4	5.2	4.5	4.3
CITY / HIGHWAY / COMBINED MPG	20 / 29 / 23	19 / 28 / 22	18 / 26 / 21	17 / 25 / 20

All dimensions in technical drawings are given in inches.



<sup>1</sup>BMW AG preliminary test results. Actual acceleration results may vary, depending on specification of vehicle; road and environmental conditions; testing procedures and driving style. These results should be used for comparison only and verification should not be attempted on public roads. BMW urges you to obey all posted speed laws and always wear safety belts.

Figures subject to change. Please visit your BMW Center for the most up-to-date information. Not all features are available on all models. Get the latest information on standard and optional features, packages and technical specifications. Visit [bmwusa.com](http://bmwusa.com) and select the BMW model of your choice.

# ROOM TO ROAM.

The BMW 6 Series Gran Turismo delivers when it's time to move in style. The key element is a large power tailgate that reveals an astonishing 65 feet of cargo capacity with the rear seats folded. Inside, a driver-focused cabin fitted with supple leather awaits, while a TwinPower Turbo engine encourages you to keep on driving.



## BMW 6 SERIES GRAN TURISMO

[EXTERIOR COLORS](#)

[UPHOLSTERY](#)

[INTERIOR TRIMS](#)

[WHEELS / TIRES](#)

[PACKAGES](#)

[TECHNICAL DATA](#)



## **A CAVERN FOR CARGO.**

The BMW 6 Series Gran Turismo features 40/20/40 split fold-down through-load rear seats, allowing a variety of configurations to carry both passengers and cargo. If you have full hands, the large tailgate can be opened with just a wave of your foot under the rear bumper.



## STAY INSIDE ON YOUR NIGHT OUT.

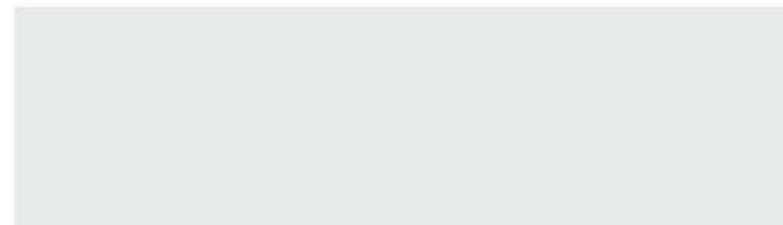
Impress on date night with the luxurious interior of the BMW 6 Series Gran Turismo. Greet your 6 Series with soft-close automatic doors. Sink back into Nappa Leather Multi-contour, ventilated front seats. Simply wave your hand with Gesture Control to turn up the Bowers & Wilkins® Diamond Surround Sound System, then hit the road.

Get the latest information on standard and optional features, packages and technical specifications. Visit [bmwusa.com](http://bmwusa.com) and select the BMW model of your choice.

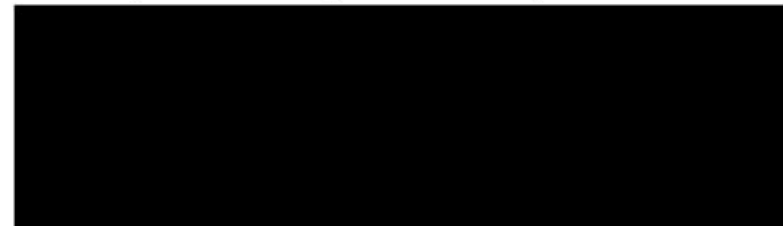
# 6 SERIES GRAN TURISMO

## EXTERIOR COLORS

### NON-METALLIC

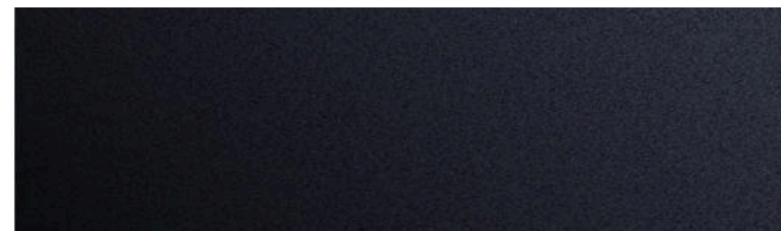


**300** Alpine White (NonMetallic)



**668** Jet Black (NonMetallic)

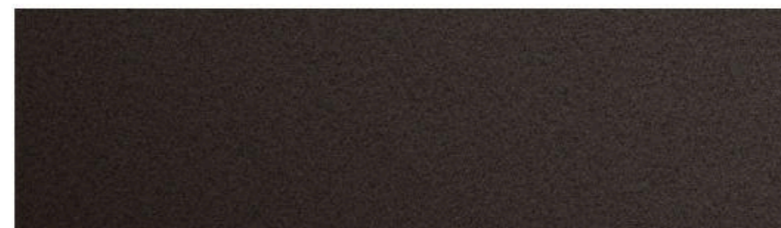
### METALLIC



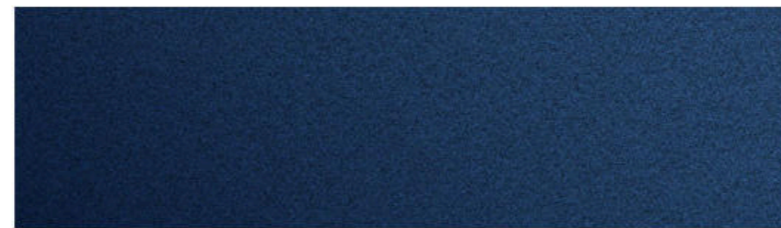
**416** Carbon Black Metallic



**475** Black Sapphire Metallic



**B65** Jatoba Brown Metallic



**C10** Mediterranean Blue Metallic



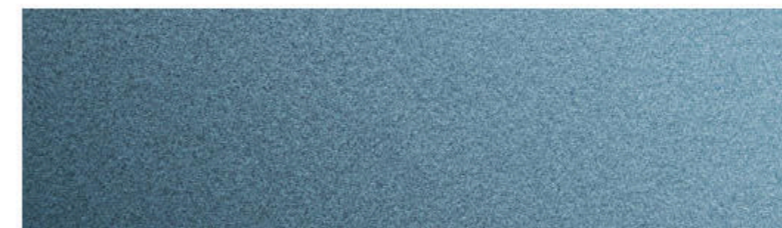
**A83** Glacier Silver Metallic



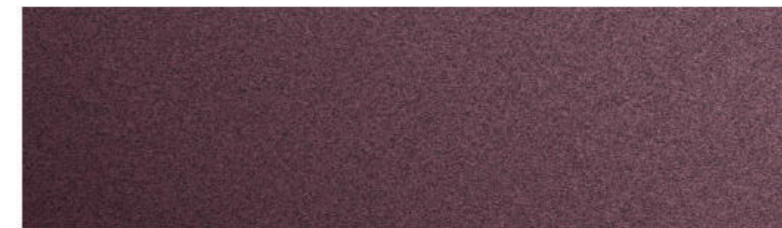
**A96** Mineral White Metallic



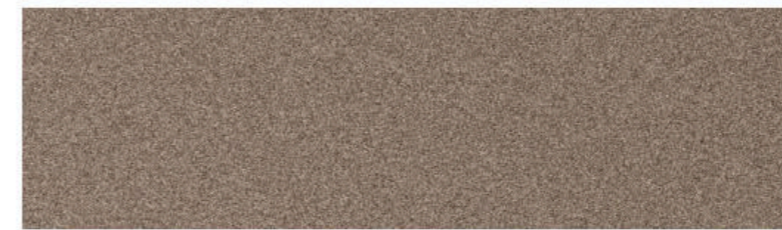
**A90** Dark Graphite Metallic



**C2Y** Bluestone Metallic



**C25** Royal Burgundy Red Metallic

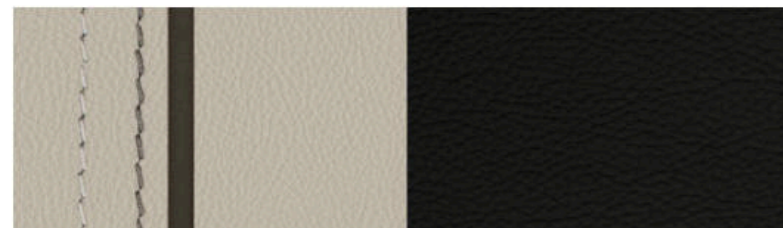


**C2S** Jucaro Beige Metallic

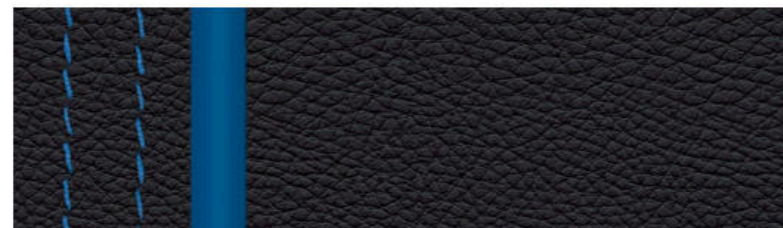
# 6 SERIES GRAN TURISMO

## UPHOLSTERY

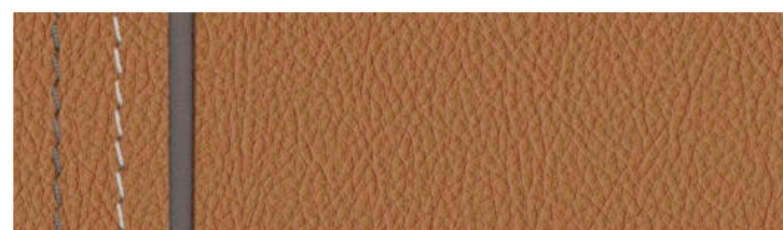
### DAKOTA LEATHER



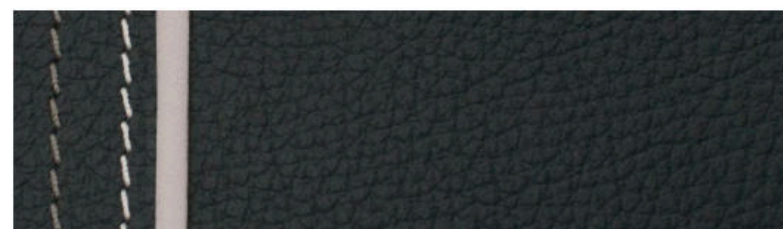
**LCFI** Ivory White Dakota Leather w/contrast stitching/piping



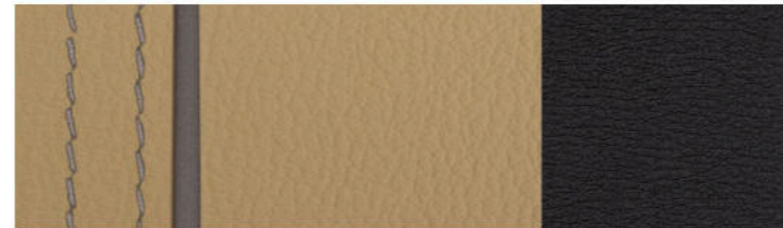
**LCNL** Black Dakota Leather with Blue Stitching



**LCRO** Cognac Dakota Leather w/contrast stitching/piping



**LCFK** Black Dakota Leather w/contrast stitching/piping



**LCEA** Canberra Beige/Black Dakota Leather with/contrast stitching/piping



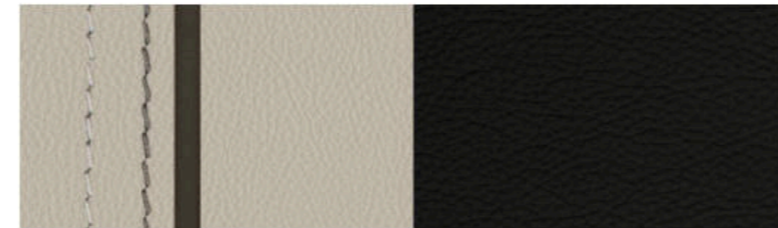
**LCFF** Ivory White Dakota Leather w/contrast stitching/piping & Dark Coffee dashboard

Leather on all seating surfaces; other components may be Leather or SensaTec.

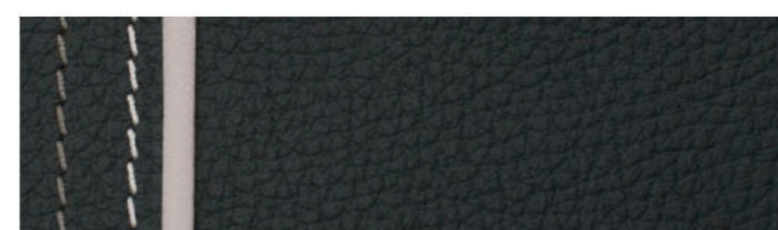
### NAPPA LEATHER



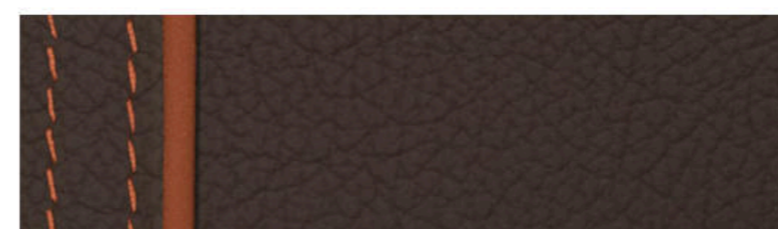
**LZFF** Ivory White Nappa Leather w/contrast stitching/piping & Dark Coffee dashboard



**LZFI** Ivory White Nappa Leather w/contrast stitching/piping



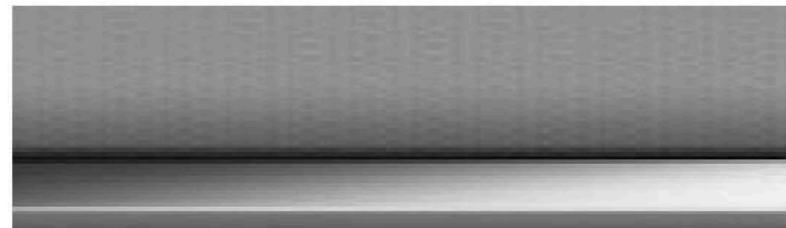
**LZFK** Black Nappa Leather w/contrast stitching/piping



**LZNI** Mocha Nappa Leather w/contrast stitching/piping

# 6 SERIES GRAN TURISMO

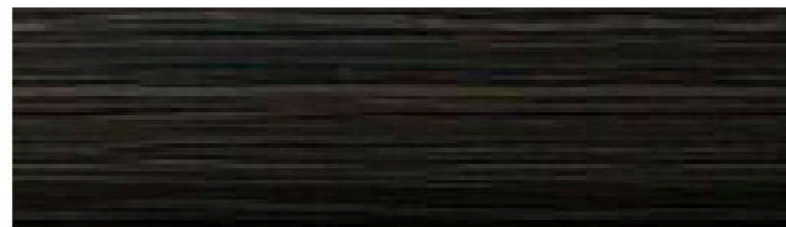
## INTERIOR TRIMS



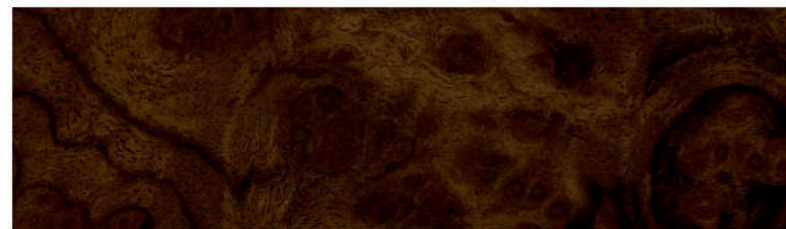
**4K7** Aluminum Rhombicle Interior Trim



**4LQ** Gray Poplar Wood Trim



**4LF** Fineline Ridge Wood Trim

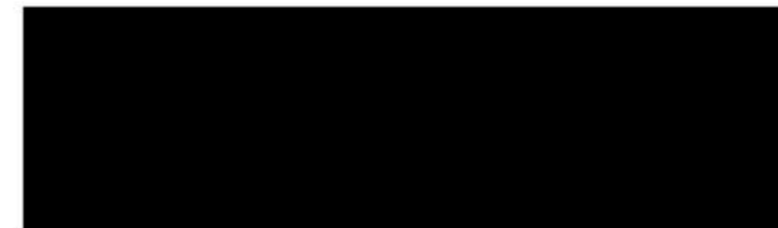


**4LG** Burl Walnut Wood Trim



**4LH** Fineline Cove Matte Finish Wood Trim

### BMW INDIVIDUAL



**4ML** Piano Finish Black Trim

# 6 SERIES GRAN TURISMO

## WHEELS / TIRES



**19" M Double-spoke wheels, style 647M,**  
19 x 8.5; and 245/45 all-season<sup>1</sup> run-flat<sup>3</sup> tires

19 x 8.5 front, 19 x 9.5 rear; and 245/45 front,  
275/40 rear performance<sup>1,2</sup> run-flat<sup>3</sup> tires



**20" M Double-spoke wheels, style 648M,**  
20 x 8.5 front, 20 x 10.0 rear; and 245/40 front,  
275/35 rear performance<sup>1,2</sup> run-flat<sup>3</sup> tires



**19" V-spoke bi-color wheels, style 685,**  
19 x 8.5; and 245/45 all-season<sup>1</sup> run-flat<sup>3</sup> tires

19 x 8.5 front, 19 x 9.5 rear; and 245/45 front,  
275/40 rear performance<sup>1,2</sup> run-flat<sup>3</sup> tires

<sup>1</sup> Driving over rough or damaged road surfaces, as well as debris, curbs and other obstacles, can cause serious damage to wheels, tires and suspension parts. This is more likely to occur with low-profile tires, which provide less cushioning between the wheel and the road.

Be careful to avoid road hazards and reduce your speed, especially if your vehicle is equipped with low-profile tires.

<sup>2</sup> Performance tires are not recommended for driving in ice and snow conditions.

<sup>3</sup> Run-flat tires do not come equipped with a spare wheel and tire.

Wheel and tire specifications are subject to change. Not all features are available on all models. Get the latest information on standard and optional features, packages and technical specifications. Visit [bmwusa.com](http://bmwusa.com) and select the BMW model of your choice.

# 6 SERIES GRAN TURISMO

## PACKAGES

### LUXURY PACKAGE

Power rear seatback adjustment  
Luxury Line design elements

### PREMIUM PACKAGE

Parking Assistant Plus  
Active Park Distance Control  
Surround View w/3D View  
Head-up Display  
Gesture Control

### DYNAMIC HANDLING PACKAGE

Dynamic Damper Control  
Adaptive Drive with two-axel air suspension  
Active Roll Stabilization  
Integral Active Steering

### M SPORT PACKAGE

19" M Double-spoke bi-color wheels, style 647M  
(options available)  
Aluminum Rhombicle Interior Trim (options available)  
M sport steering wheel  
Aerodynamic kit  
Shadowline exterior trim  
Dynamic Handling Package (optional)

### DRIVING ASSISTANCE PLUS PACKAGE<sup>1</sup>

Active Driving Assistant Plus

### LUXURY SEATING PACKAGE

Front ventilated seats  
Multi-contour seats  
Front massaging seats  
Nappa Leather upholstery

<sup>1</sup> Driving Assistance Plus Package is not a substitute for the driver's own responsibility in maintaining safe control of the vehicle.

<sup>2</sup> After evaluating the road, traffic and visibility conditions, the driver must decide whether and how Active Cruise Control is to be used.

Get the latest information on standard and optional features, packages and technical specifications. Visit [bmwusa.com](http://bmwusa.com) and select the BMW model of your choice.

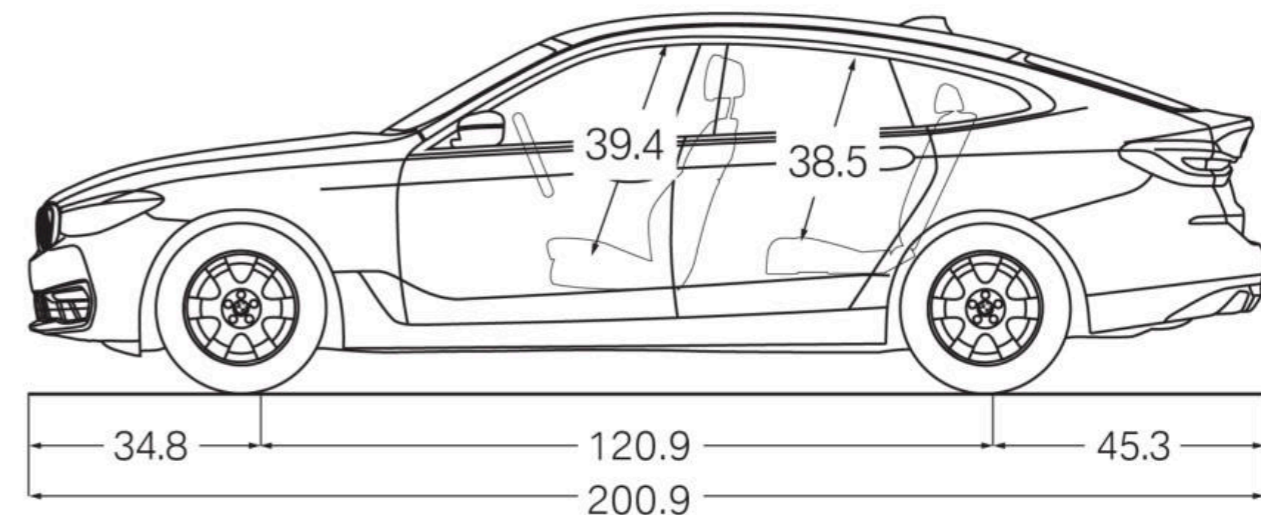
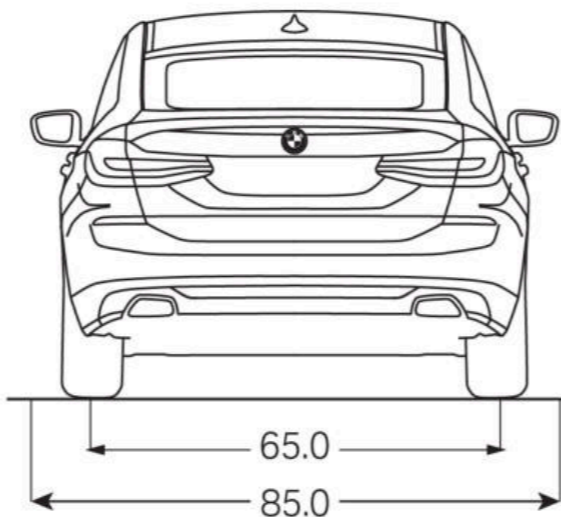
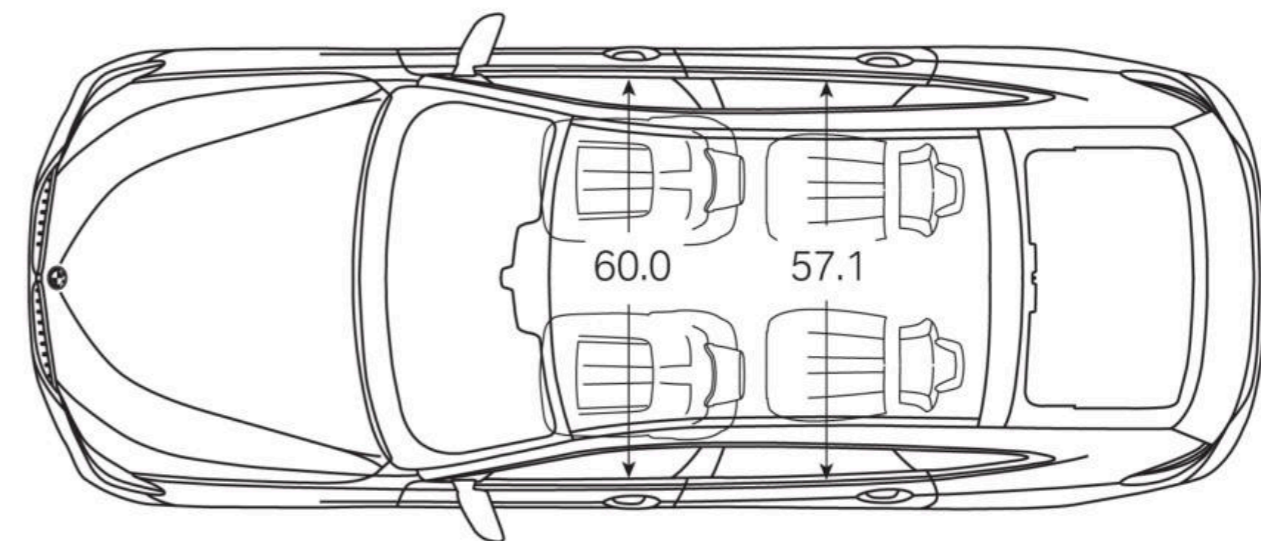
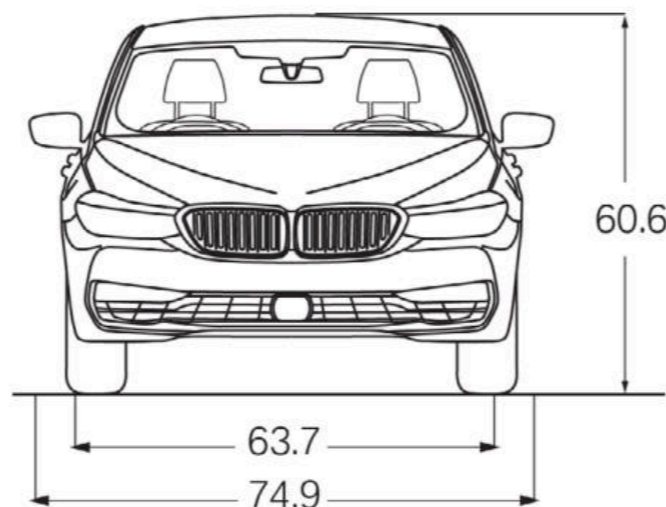
# 6 SERIES GRAN TURISMO

## TECHNICAL DATA



	640i xDrive Gran Turismo
ENGINE	3.0-liter TwinPower Turbo inline 6-cylinder
OUTPUT @ RPM	335 hp @ 5500–6500 / 330 lb-ft @ 1380–5200
0–60 MPH (sec) <sup>1</sup>	5.1
CITY / HIGHWAY / COMBINED MPG	20 / 28 / 23 <sup>2</sup>

All dimensions in technical drawings are given in inches.



<sup>1</sup> BMW AG preliminary test results. Actual acceleration results may vary, depending on specification of vehicle; road and environmental conditions; testing procedures and driving style. These results should be used for comparison only and verification should not be attempted on public roads. BMW urges you to obey all posted speed laws and always wear safety belts.

<sup>2</sup> Preliminary figures not available at time of publication.

Figures subject to change. Please visit your BMW Center for the most up-to-date information. Get the latest information on standard and optional features, packages and technical specifications. Visit [bmwusa.com](http://bmwusa.com) and select the BMW model of your choice.