



2022
**EXPRESS
PASSENGER VAN**

The ultimate people mover.

Express Passenger Van is built to transport people, with a choice of 12- or 15-passenger seating, depending on model. Standard features like the StabiliTrak® Electronic Stability Control System, a Tire Pressure Monitoring System¹ and antilock brakes let you travel with confidence. Express Passenger Van's proven design means you can count on years of dependable service. Technology features like a 120-volt power outlet, available Wi-Fi® Hotspot² and an available USB port³ can help keep passengers entertained during trips.



Express Passenger Van offers both Regular and Extended Wheelbase models.

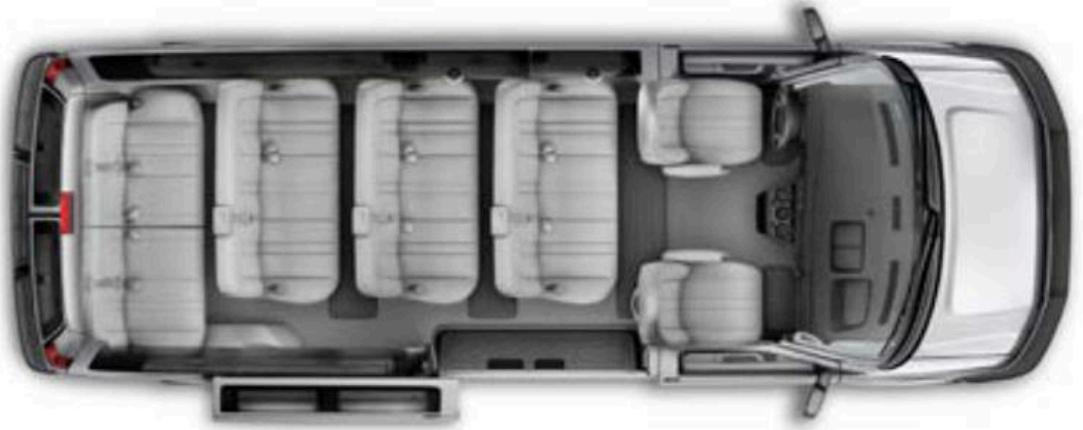
INTRODUCING EXPRESS PASSENGER VAN

Express Passenger Van at a glance.

- Standard seating for 12 passengers
- Available seating for 15 with Extended Wheelbase
- Standard rear air conditioning
- Standard 4.3L V6 engine with 276 horsepower and 298 lb.-ft. of torque
- Available 6.6L V8 gas engine with 401 horsepower and 464 lb.-ft. of torque and heavy-duty 6-speed automatic transmission
- Available Duramax[®] 2.8L Turbo-Diesel engine with 181 horsepower and 369 lb.-ft. of torque with standard exhaust brake
- Available heavy-duty locking rear differential
- Standard StabiliTrak Electronic Stability Control System
- Standard 4-wheel antilock disc brakes
- Standard Rear Vision Camera¹
- Side Blind Zone Alert¹ available on all models
- Forward Collision Alert¹ standard on LT and available on LS
- Lane Departure Warning¹ standard on LT and available on LS



Express Passenger Van is a practical choice for mobility and paratransit conversions.²



Standard seating for 12 passengers and available seating for 15 with Extended Wheelbase.

¹ Safety or driver assistance features are no substitute for the driver's responsibility to operate the vehicle in a safe manner. Read the vehicle Owner's Manual for important feature limitations and information. ² Equipment from independent suppliers is not covered by the GM New Vehicle Limited Warranty. GM is not responsible for the safety or quality of independent supplier alterations.

MODEL AVAILABILITY

2500 REGULAR WHEELBASE (RWB)



WHEELBASE (IN.)	STANDARD ENGINE	AVAILABLE ENGINE	MAX CARGO CAPACITY (CU. FT.) ¹	GROSS VEHICLE WEIGHT RATING (GVWR) (LBS.) ²	MAX PAYLOAD RATING (LBS.) ³	MAX TRAILERING WEIGHT RATING (LBS.) ⁴
135	4.3L V6	–	218.5	8,600	2,550	6,700
135	–	6.6L V8 gas	218.5	8,600	2,360	9,600
135	–	Duramax 2.8L I-4	218.5	8,600	2,220	6,300

3500 REGULAR WHEELBASE (RWB)



WHEELBASE (IN.)	STANDARD ENGINE	AVAILABLE ENGINE	MAX CARGO CAPACITY (CU. FT.) ¹	GROSS VEHICLE WEIGHT RATING (GVWR) (LBS.) ²	MAX PAYLOAD RATING (LBS.) ³	MAX TRAILERING WEIGHT RATING (LBS.) ⁴
135	4.3L V6	–	218.5	9,600	3,540	6,700
135	–	6.6L V8 gas	218.5	9,600	3,350	9,600
135	–	Duramax 2.8L I-4	218.5	9,600	3,210	5,700

3500 EXTENDED WHEELBASE (EWB)



WHEELBASE (IN.)	STANDARD ENGINE	AVAILABLE ENGINE	MAX CARGO CAPACITY (CU. FT.) ¹	GROSS VEHICLE WEIGHT RATING (GVWR) (LBS.) ²	MAX PAYLOAD RATING (LBS.) ³	MAX TRAILERING WEIGHT RATING (LBS.) ⁴
155	4.3L V6	–	255.5	9,600	3,210	6,300
155	–	6.6L V8 gas	255.5	9,900	3,320	9,200
155	–	Duramax 2.8L I-4	255.5	9,900	3,190	5,300

¹ Cargo and load capacity limited by weight and distribution. ² Maximum Gross Vehicle Weight Rating (GVWR). When properly equipped; includes weight of vehicle, passengers, cargo and equipment. ³ These maximum payload ratings are intended for comparison purposes only. Before you buy a vehicle or use it to haul people or cargo, carefully review the Vehicle Loading section of the Owner's Manual and check the carrying capacity of your specific vehicle on the label on the inside of the driver door jamb. ⁴ Maximum trailering ratings are intended for comparison purposes only. Before you buy a vehicle or use it for trailering, carefully review the Trailering section of the Owner's Manual. The trailering capacity of your specific vehicle may vary. The weight of passengers, cargo and options or accessories may reduce the amount you can trailer.

COLORS & WHEELS

EXTERIOR COLORS



Summit White



Silver Ice Metallic

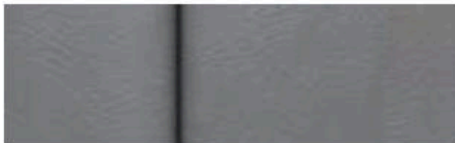


Red Hot



Black

INTERIOR COLORS



Medium Pewter Vinyl¹



Medium Pewter Custom Cloth²

WHEELS



16" Gray-Painted Steel Wheels with
Gray Center Caps (QB5);
Chrome Center Caps included on 1LT
Standard



16" White-Painted Steel Wheels with
Gray Center Caps (40P)
Available

¹ Standard on 1LS. ² Standard on 1LT. Available on 1LS.

STANDARD EQUIPMENT

Standard on every Express Passenger Van:

MECHANICAL

Alternator – 150 amps

Battery – 600 cold-cranking amps (CCA) with rundown protection and retained accessory power

Brakes – 4-wheel antilock, 4-wheel disc

Cooling – external engine oil cooler (4.3L V6 and 6.6L V8 gas engine)

Engine – 4.3L V6 with Variable Valve Timing (VVT) and Direct Injection
– Oil Life Monitoring System

Exhaust – aluminized stainless steel muffler and tailpipe

Frame – full-length box, ladder-type

StabiliTrak – Electronic Stability Control System with traction assistance; includes Electronic Trailer Sway Control and Hill Start Assist

Steering – integral power

Suspension – front independent with coil springs; rear with multi-leaf springs

Transmission – 8-speed automatic, electronically controlled with overdrive, Driver Shift Control and Tow/Haul mode; includes cruise grade braking and powertrain grade braking

EXTERIOR

Bumpers – front and rear, Black with step pad (1LS)
– front and rear, chrome with step pad (1LT)

Daytime running lamps

Door – passenger-side, swing-out 60/40-split

Glass – Solar-Ray® deep-tinted, rear windows
– Enhanced Technology Glass (ETG) 3-layer special glass, rearmost side windows
– full-body window glass with rear door and passenger-side door swing-out window glass

Grille – Black center bar (1LS)
– chrome center bar (1LT)

Headlamps – dual halogen with automatic on/off with automatic delay

Mirrors – heated, power-adjustable, manual-folding, Black

Tire – full-size spare

Tires – LT245/75R16E all-season

Wheels – 16" Gray-painted steel with Gray center caps (QB5) and steel spare

Wipers – front intermittent wet-arm with pulse washers

STANDARD EQUIPMENT (CONTINUED)

INTERIOR

Airbags¹ – frontal for driver and right-front passenger; seat-mounted side-impact for driver and right-front passenger; roof-rail mounted head-curtain provide coverage for outboard seating positions for first three rows; Enhanced Technology Glass is provided for fourth row with 12-passenger seating and fourth and fifth rows with available 15-passenger seating; includes frontal passenger airbag deactivation switch

Air conditioning – single-zone
– rear; includes rear auxiliary heater

Assist handles – driver and front passenger

Audio system – AM/FM stereo with MP3 player, seek-scan, digital clock, TheftLock, random select, auxiliary input jack and two front door speakers

Compass – display in Driver Information Center

Console – engine cover with open storage bin and three cup holders (1LS)
– engine cover with swing-out storage bin and three cup holders (1LT)

Defogger – side windows

Driver Information Center – with fuel range, average speed, oil life, tire pressure monitoring, fuel used, ice warning, engine hours, average fuel economy, tachometer and maintenance reminders

Floor covering – full-length Black rubberized-vinyl (1LS)
– full-floor color-keyed carpeting (1LT)

Forward Collision Alert² (1LT)

Instrument cluster – with speedometer, fuel level, engine temperature, voltage and oil pressure

Lane Departure Warning² (1LT)

INTERIOR (CONTINUED)

Lighting – two dome lamps; includes defeat switch and door handle-activated switches
– auxiliary lighting with reading and underhood lamps

Mirror – rearview; includes Rear Vision Camera² display

Power Convenience Package – power windows and power door locks with lockout protection

Power outlet – 120-volt
– two 12-volt auxiliary on engine console cover

Rear Vision Camera² – integrated in rearview mirror

Remote Keyless Entry (1LT)

Seats – front high-back bucket with head restraints and inboard armrests
– 12-passenger seating (2-3-3-4); 50/50-split 4-passenger seat
– vinyl trim (1LS)
– Custom Cloth trim (1LT)

Theft alarm notification (1LT)

Theft-deterrent system – PASS-Key[®] III

Tire Pressure Monitoring System (does not monitor spare tire)

Available Wi-Fi[®] Hotspot³ for up to seven devices, includes 1 month of unlimited data

Chevrolet Connected Access⁴ with up to 10 years of standard connectivity, which currently enables features such as Vehicle Diagnostics and Dealer Maintenance Notification

OnStar[®] – up to 3 months of OnStar Safety & Security coverage⁵

¹ **A NOTE ON CHILD SAFETY:** Always use seat belts and the correct child restraint for your child's age and size, even with airbags. Even in vehicles equipped with the Passenger Sensing System, children are safer when properly secured in a rear seat in the appropriate infant, child or booster seat. Never place a rear-facing infant restraint in the front seat of any vehicle equipped with an active frontal airbag. See your vehicle Owner's Manual and the child safety seat instructions for more safety information.

² Safety or driver assistance features are no substitute for the driver's responsibility to operate the vehicle in a safe manner. Read the vehicle Owner's Manual for important feature limitations and information. ³ Service varies with conditions and location. Requires active service and paid AT&T data plan. Visit onstar.com for details and limitations. Availability subject to change. ⁴ Standard connectivity available only to original purchaser for up to 10 years. Connected Access services are subject to change.

Does not include emergency or security services. Diagnostic capabilities vary by model and service plan. Message and data rates may apply. Requires contact method on file and enrollment to receive alerts. Not all issues will deliver alerts. Visit onstar.com for details and limitations. ⁵ When you select a monthly plan within 30 days of activating your 1-month trial, you'll receive the next 2 months of the plan you select at no additional charge when you associate an approved payment method on file to your account and authorize recurring payments for your service plan. The amount and frequency of each recurring payment is based upon the service(s) and payment interval(s) you select from the options provided. After the trial expires, OnStar will automatically bill your payment method monthly at then-current standard monthly rates. Plans containing 4G LTE data will be billed every 30 days by AT&T. You may cancel at any time by pushing your blue OnStar button or calling 1-888-466-7827. May not be combined with other offers or retroactively applied. Offer subject to change.

SPECIFICATIONS

● STANDARD ○ AVAILABLE – NOT AVAILABLE

	2500 RWB 1LS	3500 RWB 1LS	3500 EWB 1LS	2500 RWB 1LT	3500 RWB 1LT	3500 EWB 1LT
SAFETY AND DRIVER ASSISTANCE						
Airbags ¹ – frontal for driver and right-front passenger; seat-mounted side-impact for driver and right-front passenger; roof-rail mounted head-curtain provide coverage for outboard seating positions for first three rows; Enhanced Technology Glass is provided for fourth row with 12-passenger seating and fourth and fifth rows with available 15-passenger seating; includes frontal passenger airbag deactivation switch	●	●	●	●	●	●
Forward Collision Alert ² – includes Lane Departure Warning ²	○	○	○	●	●	●
Lane Departure Warning ² (requires available Forward Collision Alert ² on 1LS)	○	○	○	●	●	●
Rear Park Assist ²	○	○	○	○	○	○
Rear Vision Camera ² – integrated in rearview mirror	●	●	●	●	●	●
Side Blind Zone Alert ² (requires available Rear Park Assist)	○	○	○	○	○	○
Theft alarm notification (requires available OnStar ³ and Remote Keyless Entry on 1LS)	○	○	○	●	●	●
Theft-deterrent system – PASS-Key III	●	●	●	●	●	●
Tire Pressure Monitoring System (does not monitor spare tire)	●	●	●	●	●	●
Up to 3 months of OnStar Safety & Security coverage ³	●	●	●	●	●	●
OnStar delete (requires Fleet or Government order)	○	○	○	○	○	○
OnStar Vehicle Insights ⁴ – 12 months of service (requires available Communications Package, Enhanced Convenience Package or Safety Package on 2500 RWB 1LS; requires Fleet or Government order on all other models)	○	○	○	○	○	○
MECHANICAL						
Alternator – 150 amps – 220 amps	●	●	●	●	●	●
Battery – with rundown protection and retained accessory power – 600 cold-cranking amps (CCA) – heavy-duty, 770 cold-cranking amps (CCA) – dual, heavy-duty 770 cold-cranking amps (CCA) (requires available Duramax 2.8L Turbo-Diesel I-4 engine) – dual, heavy-duty, 770 cold-cranking amps (CCA) primary and isolated 770 cold-cranking amps (CCA) secondary	●	●	●	●	●	●
Brakes – 4-wheel antilock, 4-wheel disc	●	●	●	●	●	●
Cooling – external engine oil cooler (4.3L V6 and 6.6L V8 gas engine)	●	●	●	●	●	●

	2500 RWB 1LS	3500 RWB 1LS	3500 EWB 1LS	2500 RWB 1LT	3500 RWB 1LT	3500 EWB 1LT
MECHANICAL (CONTINUED)						
Differential – heavy-duty, locking rear	○	○	○	○	○	○
Engine – 4.3L V6 with Variable Valve Timing (VVT) and Direct Injection; 276 hp @ 5200 rpm, 298 lb.-ft. of torque @ 3900 rpm – 6.6L V8 gas with Variable Valve Timing (VVT) and Direct Injection; 401 hp @ 5200 rpm, 464 lb.-ft. of torque @ 4000 rpm (requires available heavy-duty 6-speed automatic transmission) – Duramax 2.8L Turbo-Diesel DOHC I-4 with common rail Direct Injection; 181 hp @ 3400 rpm, 369 lb.-ft. of torque @ 2000 rpm; includes Diesel Exhaust Brake – engine block heater (included with available Cold Climate Package or requires available Duramax 2.8L Turbo-Diesel I-4 engine) – Oil Life Monitoring System	●	●	●	●	●	●
Exhaust – aluminized stainless steel muffler and tailpipe	●	●	●	●	●	●
Frame – full-length box, ladder-type	●	●	●	●	●	●
High idle switch (requires Driver Convenience Package and 6.6L V8 gas engine or Duramax 2.8L Turbo-Diesel I-4 engine on 2500 RWB 1LS; requires available 6.6L V8 gas engine or Duramax 2.8L Turbo-Diesel I-4 engine all other models)	○	○	○	○	○	○
Radiator grille cover (requires available Duramax 2.8L Turbo-Diesel I-4 engine)	○	○	○	○	○	○
StabiliTrak – Electronic Stability Control System and traction assistance; includes Electronic Trailer Sway Control and Hill Start Assist	●	●	●	●	●	●
Steering – integral power	●	●	●	●	●	●
Suspension – front independent with coil springs; rear with multi-leaf springs	●	●	●	●	●	●
Trailer equipment – heavy-duty, trailering hitch platform, trailering wire harness and dual 4-pin/7-pin sealed connector	○	○	○	○	○	○
Trailer provisions – trailering wire harness only	○	○	○	○	○	○
Transmission – 8-speed automatic, electronically controlled with overdrive, Driver Shift Control and Tow/Haul mode; includes cruise grade braking and powertrain grade braking – heavy-duty 6-speed automatic, electronically controlled with overdrive, Driver Shift Control and Tow/Haul mode; includes cruise grade braking and powertrain grade braking (requires available 6.6L V8 gas engine) – 8-speed automatic with diesel-specific torque converter, electronically controlled with overdrive, Driver Shift Control and Tow/Haul mode; includes cruise grade braking and powertrain grade braking (requires available Duramax 2.8L Turbo-Diesel I-4 engine)	●	●	●	●	●	●

1 A NOTE ON CHILD SAFETY: Always use seat belts and the correct child restraint for your child's age and size, even with airbags. Even in vehicles equipped with the Passenger Sensing System, children are safer when properly secured in a rear seat in the appropriate infant, child or booster seat. Never place a rear-facing infant restraint in the front seat of any vehicle equipped with an active frontal airbag. See your vehicle Owner's Manual and the child safety seat instructions for more safety information.

2 Safety or driver assistance features are no substitute for the driver's responsibility to operate the vehicle in a safe manner. Read the vehicle Owner's Manual for important feature limitations and information.

3 When you select a monthly plan within 30 days of activating your 1-month trial, you'll receive the next 2 months of the plan you select at no additional charge when you associate an approved payment method on file to your account and authorize recurring payments for your service plan. The amount and frequency of each recurring payment is based upon the service(s) and payment interval(s) you select from the options provided. After the trial expires, OnStar will automatically bill your payment method monthly at then-current standard monthly rates. Plans containing 4G LTE data will be billed every 30 days by AT&T. You may cancel at any time by pushing your blue OnStar button or calling 1-888-466-7827. May not be combined with other offers or retroactively applied. Offer subject to change.

4 Terms apply. Available on select properly equipped 2015 model year and newer GM vehicles (excludes Volt, Low Cab Forward Trucks and GM vehicles built without OnStar Hardware, which includes, but is not limited to, select base Chevrolet and GMC trucks). Requires an active connected vehicle services plan. Fees, services and availability subject to change without notice. Applicable taxes not included. Does not include emergency or security services. Diagnostic capabilities vary by vehicle model. Not all issues will deliver alerts. See onstarvehicleinsights.com for details and limitations.

SPECIFICATIONS (CONTINUED)

● STANDARD ○ AVAILABLE – NOT AVAILABLE

	2500 RWB 1LS	3500 RWB 1LS	3500 EWB 1LS	2500 RWB 1LT	3500 RWB 1LT	3500 EWB 1LT
EXTERIOR						
Antenna equipment – additional antenna, 25-ft. cable and ground plate; provides additional ability to relocate standard OnStar antenna (requires available OnStar ¹)	○	○	○	○	○	○
Bumpers – Black, front and rear with step pad	●	●	●	–	–	–
– chrome, front and rear with step pad	○	○	○	●	●	●
Daytime running lamps	●	●	●	●	●	●
Door – passenger-side, swing-out 60/40-split	●	●	●	●	●	●
– passenger-side, sliding	○	○	○	○	○	○
Glass – Solar-Ray deep-tinted, rear windows (requires available passenger-side swing-out window glass or rear door swing-out window glass)	●	●	●	●	●	●
– Enhanced Technology Glass (ETG) 3-layer special glass, rearmost side windows	●	●	●	●	●	●
– full-body window glass with rear door and passenger-side door swing-out window glass	●	●	●	●	●	●
Grille – Black center bar	●	●	●	–	–	–
– chrome center bar (requires available Chrome Appearance Package on 1LS)	○	○	○	●	●	●
Headlamps – dual halogen with automatic on/off with automatic delay	●	●	●	●	●	●
Horn – dual-note	○	○	○	○	○	○
Mirrors – heated, power-adjustable, manual-folding, Black	●	●	●	●	●	●
Tire – full-size spare	●	●	●	●	●	●
Tires – LT245/75R16E all-season	●	●	●	●	●	●
Wheels – 16" Gray-painted steel and steel spare (QB5)	●	●	●	●	●	●
– 16" White-painted steel and steel spare (40P)	○	○	○	○	○	○
– Gray center caps	●	●	●	–	–	–
– chrome center caps (P03)	○	○	○	●	●	●
Wipers – front intermittent wet-arm with pulse washers	●	●	●	●	●	●
INTERIOR						
Air conditioning – single-zone	●	●	●	●	●	●
– rear; includes rear auxiliary heater	●	●	●	●	●	●
Assist handles – driver and front passenger	●	●	●	●	●	●
Compass – display in Driver Information Center	●	●	●	●	●	●
Console – engine cover with open storage bin and three cup holders	●	●	●	–	–	–
– engine cover with swing-out storage bin and three cup holders	○	○	○	●	●	●

	2500 RWB 1LS	3500 RWB 1LS	3500 EWB 1LS	2500 RWB 1LT	3500 RWB 1LT	3500 EWB 1LT
INTERIOR (CONTINUED)						
Cruise control – electronic with Set and Resume Speed, steering wheel-mounted (requires available Driver Convenience Package on 2500 RWB 1LS)	○	●	●	●	●	●
Defogger – side windows	●	●	●	●	●	●
– rear-window	○	○	○	○	○	○
Door locks – power programmable with lockout protection and manual rear door child security; included with Power Convenience Package	●	●	●	●	●	●
Driver Information Center – with fuel range, average speed, oil life, tire pressure monitoring, fuel used, ice warning, engine hours, average fuel economy, tachometer and maintenance reminders	●	●	●	●	●	●
Floor covering – full-length Black rubberized-vinyl	●	●	●	–	–	–
– rear delete, front only (requires available Paratransit Package)	–	○	○	–	○	○
– full-floor color-keyed carpeting	○	○	○	●	●	●
Heater – rear auxiliary; included with rear air conditioning	●	●	●	●	●	●
Instrument cluster – with speedometer, fuel level, engine temperature, voltage and oil pressure	●	●	●	●	●	●
Lighting – two dome lamps; includes defeat switch and door handle-activated switches	●	●	●	●	●	●
– auxiliary lighting with reading and underhood lamps	●	●	●	●	●	●
Mirror – rearview; includes Rear Vision Camera ² display	●	●	●	●	●	●
Power Convenience Package – power windows and power door locks with lockout protection	●	●	●	●	●	●
Power outlet – 120-volt	●	●	●	●	●	●
– two 12-volt auxiliary on engine console cover	●	●	●	●	●	●
Remote Keyless Entry	○	○	○	●	●	●
Remote vehicle starter system (requires available Remote Keyless Entry on 1LS)	○	○	○	○	○	○
Steering column – manual tilt-wheel (requires available Driver Convenience Package on 2500 RWB 1LS)	○	●	●	●	●	●
Steering wheel – leather-wrapped with mounted audio, cruise and phone controls (requires available Driver Convenience Package on 2500 RWB 1LS)	○	○	○	○	○	○
Temperature display – outside, in Driver Information Center	○	○	○	○	○	○
Visors – driver and front passenger, cloth; illuminated front passenger	●	●	●	●	●	●
Windows – power with driver express-up/-down; included with Power Convenience Package	●	●	●	●	●	●

¹ When you select a monthly plan within 30 days of activating your 1-month trial, you'll receive the next 2 months of the plan you select at no additional charge when you associate an approved payment method on file to your account and authorize recurring payments for your service plan. The amount and frequency of each recurring payment is based upon the service(s) and payment interval(s) you select from the options provided. After the trial expires, OnStar will automatically bill your payment method monthly at then-current standard monthly rates. Plans containing 4G LTE data will be billed every 30 days by AT&T. You may cancel at any time by pushing your blue OnStar button or calling 1-888-466-7827. May not be combined with other offers or retroactively applied. Offer subject to change. ² Safety or driver assistance features are no substitute for the driver's responsibility to operate the vehicle in a safe manner. Read the vehicle Owner's Manual for important feature limitations and information.

SPECIFICATIONS (CONTINUED)

● STANDARD ○ AVAILABLE – NOT AVAILABLE

	2500 RWB 1LS	3500 RWB 1LS	3500 EWB 1LS	2500 RWB 1LT	3500 RWB 1LT	3500 EWB 1LT
SEATING						
Seats – front high-back bucket with head restraints and inboard armrests, vinyl trim	●	●	●	–	–	–
– front high-back bucket with head restraints and inboard armrests, Custom Cloth trim; includes engine console cover with swing-out storage bin	○	○	○	●	●	●
– 12-passenger seating (2-3-3-4); 50/50-split 4-passenger seat	●	●	●	●	●	●
– 15-passenger seating (2-3-3-3-4); 50/50-split 4-passenger seat	–	–	○	–	–	○
Seat – driver 6-way power adjuster (requires available Custom Cloth trim on 1LS)	○	○	○	○	○	○
– front passenger 6-way power adjuster (requires available Custom Cloth trim and driver 6-way power seat adjuster on 1LS; requires available driver 6-way power seat adjuster on 1LT)	○	○	○	○	○	○

	2500 RWB 1LS	3500 RWB 1LS	3500 EWB 1LS	2500 RWB 1LT	3500 RWB 1LT	3500 EWB 1LT
ENTERTAINMENT						
Audio – AM/FM stereo with MP3 playback capability, seek-scan, digital clock, auxiliary input jack, TheftLock, random select and two front door speakers	●	●	●	●	●	●
– AM/FM stereo with MP3 playback capability and USB port ¹ ; seek-scan, digital clock, auxiliary input jack, TheftLock, random select, two front door speakers and two rear door speakers; includes SiriusXM ^{®2} 3-month trial subscription	○	○	○	○	○	○
Bluetooth [®] audio streaming ³ for select phones (requires available leather-wrapped steering wheel with mounted audio, cruise and phone controls and Driver Convenience Package on 2500 RWB 1LS; requires available leather-wrapped steering wheel with mounted audio, cruise and phone controls on all other models)	○	○	○	○	○	○
SiriusXM ² – 3-month trial subscription (requires available AM/FM stereo with MP3 playback capability and USB port ¹)	○	○	○	○	○	○
Wiring junction block – equipment accessory includes two 30-amp circuits (requires available dual heavy-duty 770 cold-cranking amps [CCA] primary and isolated secondary batteries)	○	○	○	○	○	○
Available Wi-Fi [®] Hotspot ⁴ for up to seven devices, includes 1 month of unlimited data	●	●	●	●	●	●
Chevrolet Connected Access ⁵ with up to 10 years of standard connectivity, which currently enables features such as Vehicle Diagnostics and Dealer Maintenance Notification	●	●	●	●	●	●

¹ Not compatible with all devices. ² If you decide to continue service after your trial, your selected subscription plan will automatically renew thereafter. You will be charged at then-current rates. Fees and taxes apply. To cancel you must call SiriusXM at 1-866-635-2349. See SiriusXM Customer Agreement for complete terms at siriusxm.com. All fees and programming subject to change. ³ Go to my.chevrolet.com/learnAbout/bluetooth to find out which phones are compatible with the vehicle. Full Bluetooth feature functionality varies by device, model and software version. ⁴ Service varies with conditions and location. Requires active service and paid AT&T data plan. Visit onstar.com for details and limitations. Availability subject to change. ⁵ Standard connectivity available only to original purchaser for up to 10 years. Connected Access services are subject to change. Does not include emergency or security services. Diagnostic capabilities vary by model and service plan. Message and data rates may apply. Requires contact method on file and enrollment to receive alerts. Not all issues will deliver alerts. Visit onstar.com for details and limitations.

AVAILABLE PACKAGES

● STANDARD ○ AVAILABLE – NOT AVAILABLE

	2500 RWB 1LS	3500 RWB 1LS	3500 EWB 1LS	2500 RWB 1LT	3500 RWB 1LT	3500 EWB 1LT
MECHANICAL						
Cold Climate Package	○	○	○	○	○	○
Engine block heater; includes auxiliary heat generator with available Duramax 2.8L Turbo-Diesel I-4 engine						
EXTERIOR						
Paratransit Package (Incomplete Vehicle)	–	○	○	–	○	○
Rear seat delete upfitter option, incomplete vehicle certification and Black rubberized-vinyl floor covering (front only)						
Chrome Appearance Package	○	○	○	●	●	●
Front and rear chrome bumpers and chrome center grille bar						
INTERIOR						
Communications Package	○	–	–	–	–	–
6.6L V8 gas engine, 12 months of OnStar Vehicle Insights ¹ service, SiriusXM ^{®2} 3-month trial subscription, AM/FM stereo with MP3 player and USB port; ³ Bluetooth [®] audio streaming; ³ leather-wrapped steering wheel with mounted audio, cruise and phone controls, and Driver Convenience Package						
Driver Convenience Package	○	●	●	●	●	●
Manual tilt-wheel steering column and cruise control						
Enhanced Convenience Package	○	–	–	–	–	–
6.6L V8 gas engine, heavy-duty trailering equipment, 12 months of OnStar Vehicle Insights ¹ service, Remote Keyless Entry, remote vehicle starter system and Driver Convenience Package						
Safety Package	○	–	–	–	–	–
6.6L V8 gas engine, 12 months of OnStar Vehicle Insights ¹ service, Rear Park Assist ³ , Side Blind Zone Alert ⁵ and Driver Convenience Package						

¹ Terms apply. Available on select properly equipped 2015 model year and newer GM vehicles (excludes Volt, Low Cab Forward Trucks and GM vehicles built without OnStar Hardware, which includes but is not limited to select base Chevrolet and GMC trucks). Requires an active connected vehicle services plan. Fees, services, and availability subject to change without notice. Applicable taxes not included. Does not include emergency or security services. Diagnostics capabilities vary by vehicle model. Not all issues will deliver alerts. See onstarvehicleinsights.com for details and limitations. ² If you decide to continue service after your trial, your selected subscription plan will automatically renew thereafter. You will be charged at then-current rates. Fees and taxes apply. To cancel you must call SiriusXM at 1-866-635-2349. See SiriusXM Customer Agreement for complete terms at siriusxm.com. All fees and programming subject to change. ³ Not compatible with all devices. ⁴ Go to my.chevrolet.com/learnAbout/bluetooth to find out which phones are compatible with the vehicle. Full Bluetooth feature functionality varies by device, model and software version. ⁵ Safety or driver assistance features are no substitute for the driver's responsibility to operate the vehicle in a safe manner. Read the vehicle Owner's Manual for important feature limitations and information.

SPECIFICATIONS (CONTINUED)

MAXIMUM CAPACITIES

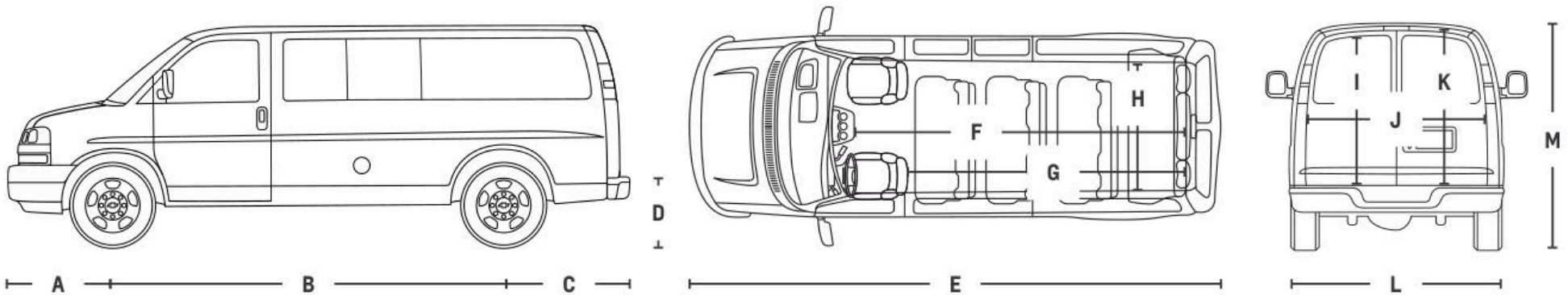
	REGULAR WHEELBASE	EXTENDED WHEELBASE
Fuel tank (approximate)	31 gallons	31 gallons
Cargo volume ¹ – behind first-row seat	218.5 cubic feet	255.5 cubic feet

DIMENSIONS (135" REGULAR WHEELBASE/155" EXTENDED WHEELBASE)

	REGULAR WHEELBASE	EXTENDED WHEELBASE
Head room (first row/second row/third row/ fourth row/fifth row)	40.9"/38.4"/38.5"/38.3"/-	40.9"/38.4"/38.5"/38.3"/37.6"
Leg room (first row/second row/third row/ fourth row/fifth row)	41.4"/36.3"/36.6"/36.6"/-	41.4"/36.3"/36.6"/36.6"/34.1"
Shoulder room (first row/second row/ third row/fourth row/fifth row)	68.9"/68.6"/65.8"/69.1"/-	68.9"/68.6"/65.8"/69.1"/62.1"
Hip room (first row/second row/third row/ fourth row/fifth row)	65.5"/65.6"/63.2"/65.7"/-	65.5"/65.6"/63.2"/65.7"/62.9"

DIMENSIONS (CONTINUED)

	REGULAR WHEELBASE	EXTENDED WHEELBASE
A – Front bumper to axle	39.7"	39.7"
B – Wheelbase	135.2"	155.1"
C – Rear bumper to axle	49.0"	49.1"
D – Ground to top of rear load floor	31.9"	32.2"
E – Overall vehicle length	223.9"	243.9"
F – Inside length at floor to engine cover	154.7"	173.6"
G – Inside length at floor to front seat	126.2"	146.0"
H – Inside width between wheelhousings	50.4"	50.9"
I – Rear door opening height	47.2"	45.7"
J – Rear door opening width at beltline	53.4"	53.4"
K – Cargo area height	51.8"	51.8"
L – Overall vehicle width	79.3"	79.3"
M – Height	84.5"	84.7"



¹ Cargo and load capacity limited by weight and distribution.

Always ready for overtime.

You know what Chevrolet Commercial Vehicles call 9 to 5? A decent start. Our lineup is ready to make light work of a long week, led by the powerful and dependable Silverado 1500 and Silverado HD, plus Silverado 3500 HD Chassis Cab. And let's not forget the strength of medium-duty Silverado 4500 HD/5500 HD/6500 HD Chassis Cabs, the maneuverability of the Low Cab Forward series and the utility of Express Vans. It all adds up to an unbeatable crew that never stops working.



**COMMERCIAL
VEHICLES**



COMMERCIAL PROGRAMS

OnStar Business Solutions

OnStar Business Solutions is a family of products that offers insight to find efficiencies, foresight to make better decisions, and confidence in knowing your people and your assets are protected and connected. Learn more at onstar.com/BusinessSolutions.

Manage the way your business moves with OnStar Vehicle Insights™¹ by OnStar Business Solutions. You can see your fleet in real time and receive actionable information to make more informed decisions. Learn more at onstarvehicleinsights.com.

Business Choice

This program² can give you the best value on the vehicles you count on. Business Choice includes a cash allowance on either GM Accessories or Upfits³ and you can even add the most current retail offers to your deal. Learn more at chevrolet.com/business-choice-offers.

Business Elite Dealers

These specialized dealers provide the know-how to help you select the right vehicles for the job. Plus, every Business Elite service department has the facilities, tools and technicians for your needs. Learn more at chevrolet.com/commercial/business-elite.



¹ Terms apply. Available on select properly equipped 2015 model year and newer GM vehicles (excludes Volt, Low Cab Forward Trucks and GM vehicles built without OnStar Hardware, which includes but is not limited to select base Chevrolet and GMC trucks). Requires an active connected vehicle services plan. Fees, services, and availability subject to change without notice. Applicable taxes not included. Does not include emergency or security services. Diagnostics capabilities vary by vehicle model. Not all issues will deliver alerts. See onstarvehicleinsights.com for details and limitations. ² The 2022 Business Choice Program is valid from September 10, 2021, to January 2, 2023. Customer must purchase or lease their vehicle during the program period and be prepared to provide proof of business ownership. Vehicle must be used in the day-to-day operations of the business and not solely for transportation purposes. This program may not be compatible with other offers or incentive programs. Consult with your GM dealer for program compatibility and other restrictions. For complete program requirements, including information regarding offers, vehicles, equipment, options, warranties, and ordering, consult your GM dealer. To qualify, vehicle must be used in the day-to-day operations of your business and not solely for personal/non-business-related transportation purposes. Proof of business ownership may be required. Not available with some other offers. For complete program requirements, including information regarding offers, vehicles, equipment, options, warranties, and ordering, consult your GM dealer. Take delivery by January 2, 2023. See dealer for details. ³ Equipment from independent suppliers is not covered by the GM New Vehicle Limited Warranty. GM is not responsible for the safety or quality of independent supplier alterations.

IMPORTANT INFORMATION



Every step of the way.

You may be discovering Chevrolet through a personalized online shopping experience or enjoying every year of vehicle ownership. Either way, we're committed to providing the tools and programs you need to help you get the most out of your journey.

Build & Price >

Create your perfect Chevrolet from start to finish.

Chevy MyWay¹ >

Engage in a real-time virtual video experience with a Chevy product specialist.

Chevrolet Complete Care >

Enjoy an owner benefit program that provides excellent service and support from day one.

Limited Warranty Coverage >

Discover all the ways Chevrolet is committed to providing an excellent ownership experience.



GM, the GM logo, Chevrolet, the Chevrolet logo, and the slogans, emblems, vehicle model names, vehicle body designs and other marks appearing in this brochure are the trademarks and/or service marks of General Motors, its subsidiaries, affiliates or licensors. ©2021 OnStar LLC. All rights reserved. Sirius, XM, SiriusXM and all related marks and logos are trademarks of Sirius XM Radio Inc. The Bluetooth word mark is a registered trademark owned by Bluetooth SIG, Inc., and any use of such mark by Chevrolet is under license.

©2021 General Motors. All rights reserved. December 2021

FIND NEW ROADS™

CHEVROLET.COM

¹ Chevy MyWay is available to anyone over 18 in the United States to access and experience via chevrolet.com/myway.