

ALL-NEW 06 DODGE CHARGER







DAYTONA

R/T





CHARGER R/T IN INFERNO RED CRYSTAL PEARL.

HEMI[®]stry 101 THE ALL-NEW DODGE CHARGER.



It began with molten steel, poured into a casting and machined to critical tolerances, and ended up a

legend. It is the HEMI[®] head. Its domed combustion chambers, dedicated intake and exhaust rocker shafts and center-bored spark plugs were

born to innovate over 50 years ago. While the unbridled muscle of the early HEMI engines was essentially a

well-timed symphony of eight battleship guns,

today's twin-plug HEMI engines school the

competition with a combination of brutal horsepower

and brilliant refinement. » The modern 5.7-liter HEMI V8

benches 340 horsepower (350 horsepower for Daytona R/T) and

390 lb-ft of torque via aluminum cylinder heads with milled hemispherical

cylinder chambers (fig. A). While the modern incarnation of one of the most intimidating

engine options in muscle car history delivers the kind of performance numbers that

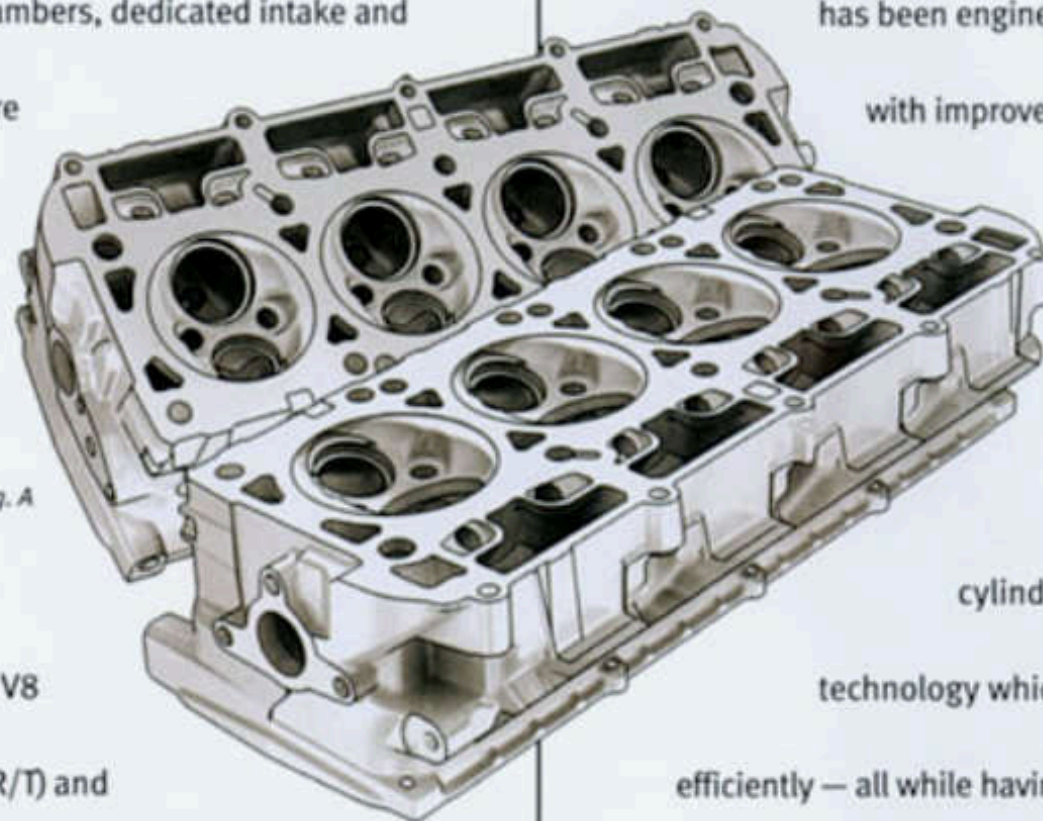


fig. A

fueled the HEMI fame, it was also designed to deliver numbers that previous HEMI engines couldn't. The modern 5.7-liter HEMI V8 with Multiple Displacement System (MDS)

has been engineered to deliver reduced noise, vibration and harshness

with improved fuel economy* of up to 20 percent. » Designed into the

latest incarnation of the HEMI from the very onset, the

MDS uses sophisticated algorithms that work in

conjunction with the Electronic Throttle Control to allow

the HEMI engine to transparently transition from eight

cylinders to four in 40 milliseconds (0.04 seconds). It is a

technology which allows an at-speed HEMI equipped Charger to cruise

efficiently — all while having four cylinders waiting in the wings, poised to fire the

instant the call comes down. It's an innovation that gives drivers full HEMI power as soon

as their foot hits the pedal. When it comes to technology and performance, HEMI engines

continue to rule the road and the track. *17 city, 25 highway EPA est. mpg for 5.7L HEMI V8.



6.1-LITER HEMI BLOCK

Bored to 6.1-liters and reinforced at critical points, the SRT8 HEMI V8 block features oil

squirters and a modified water jacket. Cranking out 425 horsepower with a 10.3:1 compression ratio, the block is clad in Hemi Orange from the original paint code.



6.1-LITER HEMI INDUCTION

SRT engineers optimized airflow in the new aluminum intake manifold with a revised air cleaner

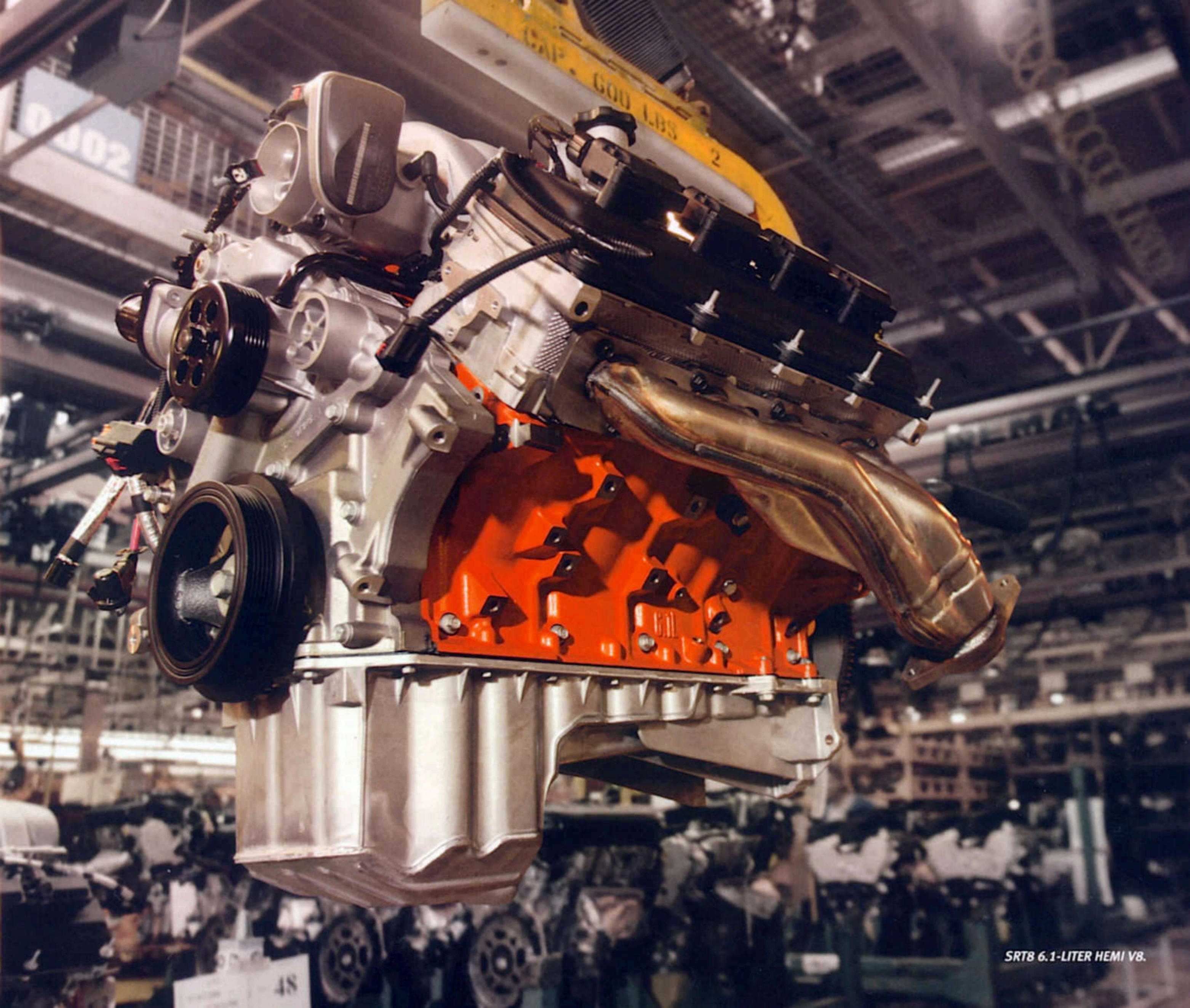
opening, larger intake ports and valves, and increased cam lobe lifts and durations. The air cleaner housing opening has been optimized to sculpt the shape of the airflow.



6.1-LITER TUBULAR EXHAUST

Crafted of stainless steel, the SRT8's tubular exhaust provides a dedicated exhaust exit for

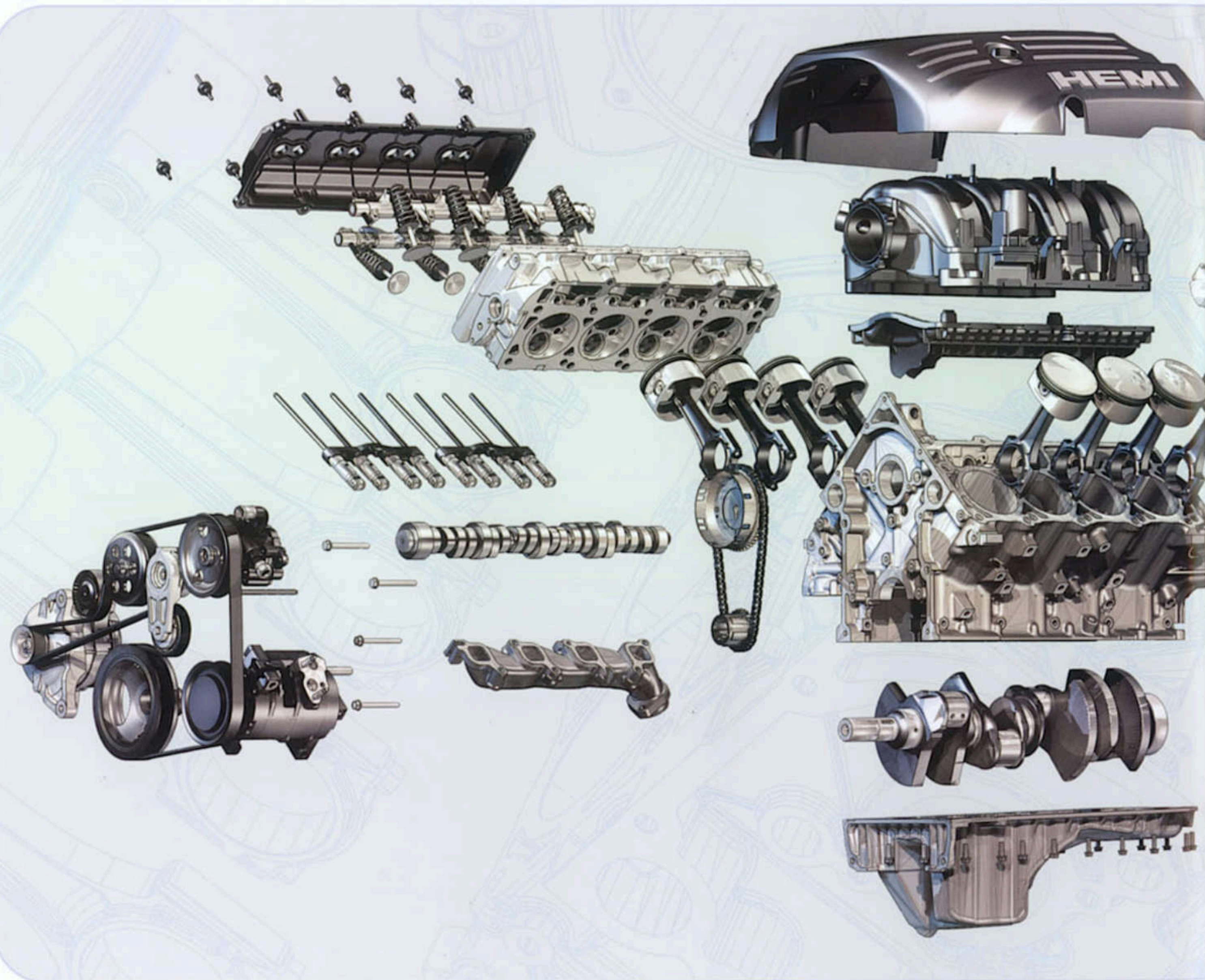
each cylinder, reducing pressure buildup. At high rpms, the high-velocity flow creates a vacuum that pulls exhaust gasses out of each cylinder, increasing engine efficiency.



SRT8 6.1-LITER HEMI V8.



CHARGER SRT8 IN BRILLIANT BLACK CRYSTAL PEARL.



BEHOLD THE 5.7-LITER HEMI® V8.

Designed around the hemispherical combustion chambers of the aluminum alloy heads from which it took its name, the 5.7-liter HEMI was engineered utilizing three-dimensional computer-aided design. Its integrated Multi-Displacement System (MDS) controls the eight deactivating and eight conventional hydraulic lifters of its patented valve train.



5-SPEED AUTOSTICK® TRANSMISSION

Charger's adaptive 5-speed AutoStick® transmission offers fully automatic or clutchless, manual gear range selections. Whether in the fully automatic or driver-interactive manual control mode, the Electronically Modulated Converter Clutch (EMCC) delivers smooth shifting and improved low-end and launch torque. Besides shift feel, the EMCC improves fuel economy and overall driveability.



REAR DIFFERENTIAL

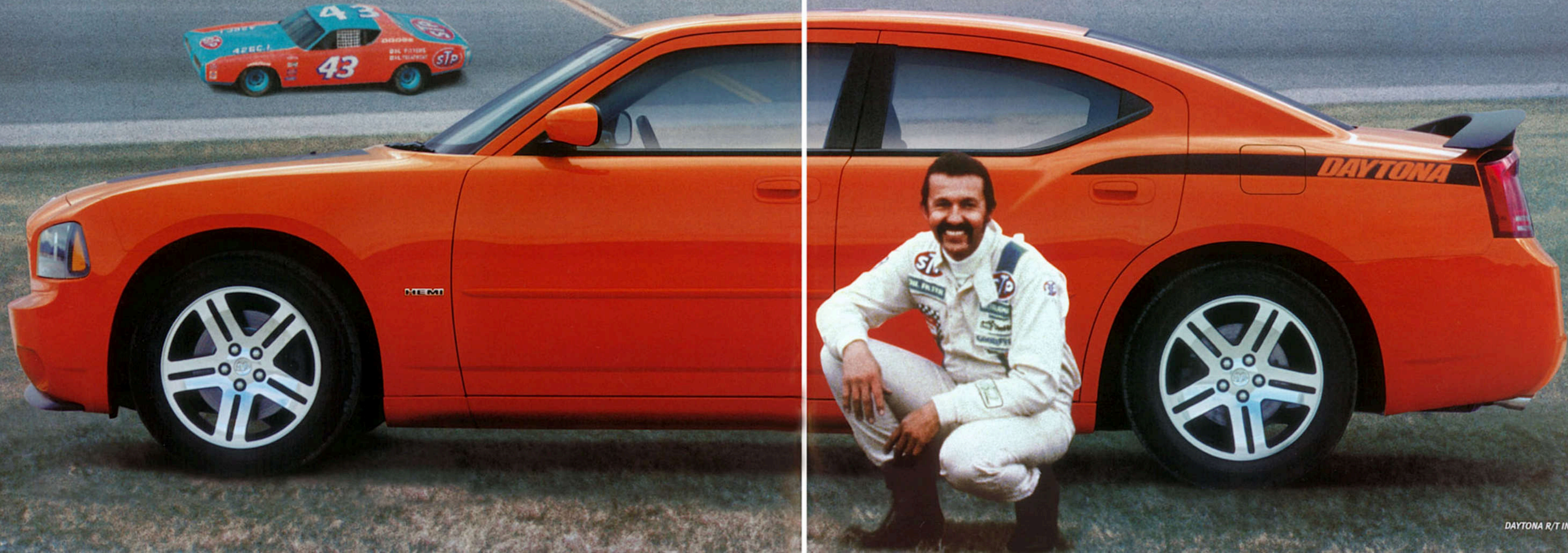
The rear-wheel-drive system mates the driveshaft to a cradle-mounted differential with two half-shafts. By eliminating a set of gears, Charger's rear-wheel-drive system is more efficient than front-wheel-drive. The differential employs a fully synthetic lubricant which is designed to last the lifetime of the vehicle in typical service.





CHARGER SXT IN INFERNO RED CRYSTAL PEARL AND CHARGER R/T IN BRILLIANT BLACK CRYSTAL PEARL.

RICHARD PETTY'S DAYTONA 500-WINNING 1973 CHARGER.



DAYTONA R/T IN Go ManGo!



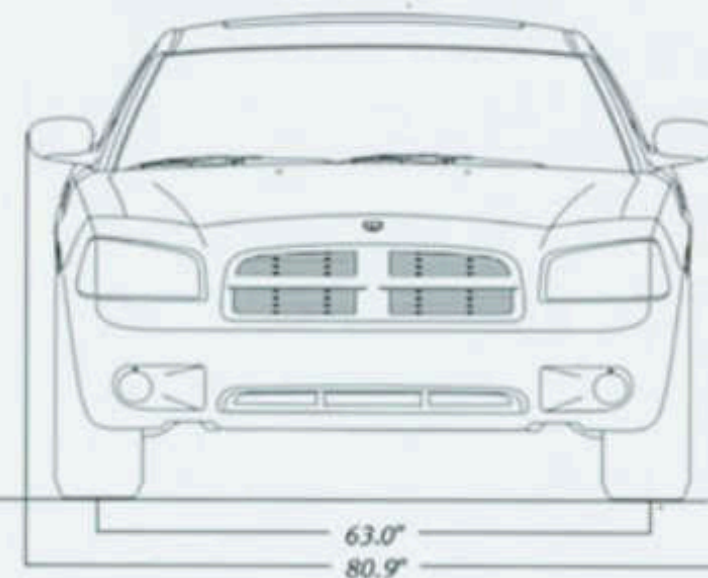
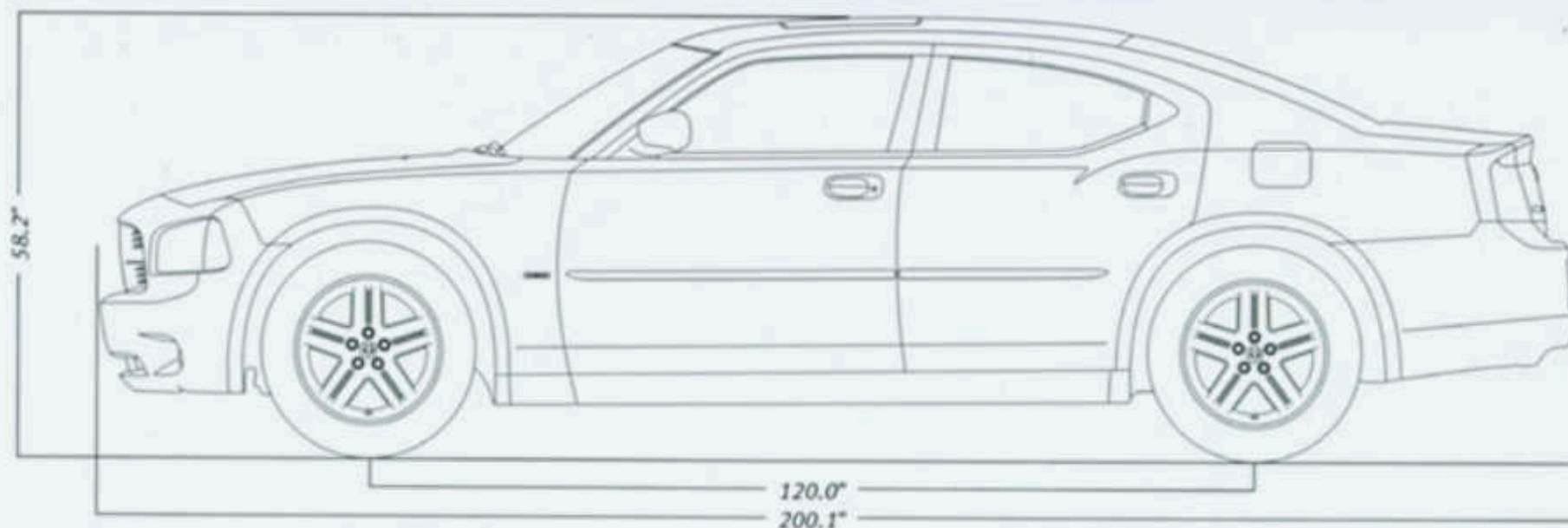
CHARGER R/T FEATURES ELECTROLUMINESCENT CLUSTER TECHNOLOGY, SHOWN WITH AVAILABLE AM/FM/6-DISC CD RADIO WITH DVD-BASED GPS NAVIGATION AND MP3.





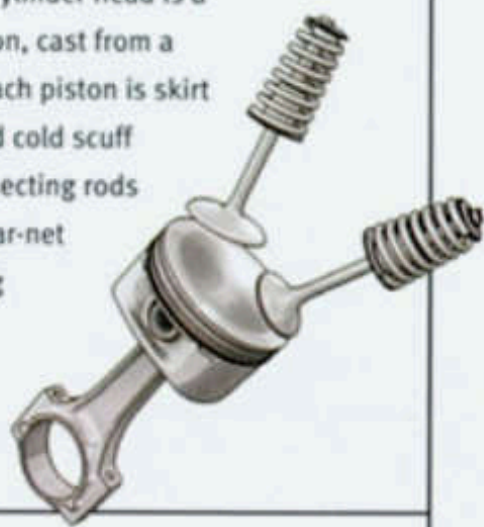
ALL-NEW 2006 DODGE CHARGER. » Within Charger's cockpit, bold black-on-white gauge faces emit a cool blue/green luminescence when lit. The R/T instrument cluster features a 160-mph speedometer and Electronic Vehicle Information Center. The integrated steering wheel system control buttons allow for hands-on control. Charger techs out with many features including an available DVD-based GPS Navigation System, center console armrest-mounted DVD Video Entertainment System™ (VES), UConnect™ voice-activated and hands-free communication system using Bluetooth™ technology and available SIRIUS Satellite Radio. Stretch out, or stretch your cargo space with leather-trimmed* 60/40 split-folding rear seats. Charger SRT8 features leather-trimmed high performance front seats with Preferred Suede® inserts including embroidered SRT8 logo in the head restraints, and red accent stitching with matching trim on the rear seats. Like its 5.7-liter HEMI equipped stablemates, the Charger SRT8 features a 5-speed AutoStick® transmission encased in a satin brushed steel surround. Floor it to dodge.com/charger for the full story. Or call **800-4ADODGE**. *Standard on R/T, available on SXT.

CHARGER SPECIFICATIONS



PISTONS/RODS

Beneath the domed combustion chamber of every HEMI® cylinder head is a lightweight piston, cast from a eutectic alloy. Each piston is skirt coated for added cold scuff resistance. Connecting rods are forged to near-net shape, achieving optimal control for weight tolerancing.



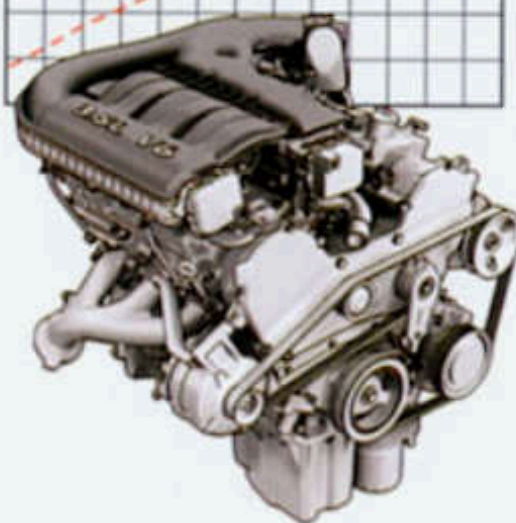
CAM/CRANK

Charger's 5.7-liter HEMI V8 engine employs a six-counterweight-design crankshaft. Cast from nodular iron, the crank is fully checked and topped. It has a hardness rating of 217-269 and features main, pin and post end fillets with deep rolled undercuts designed for maximum fatigue strength.



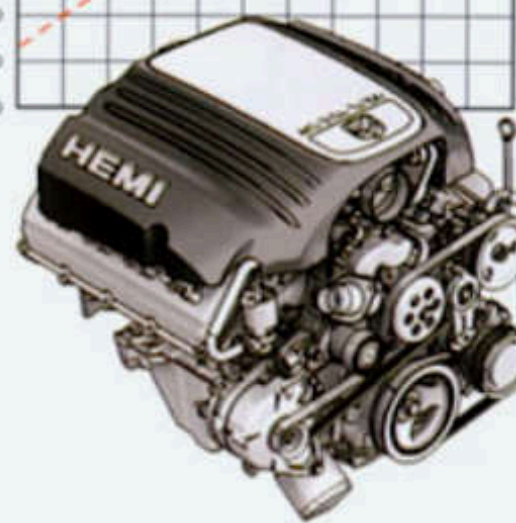
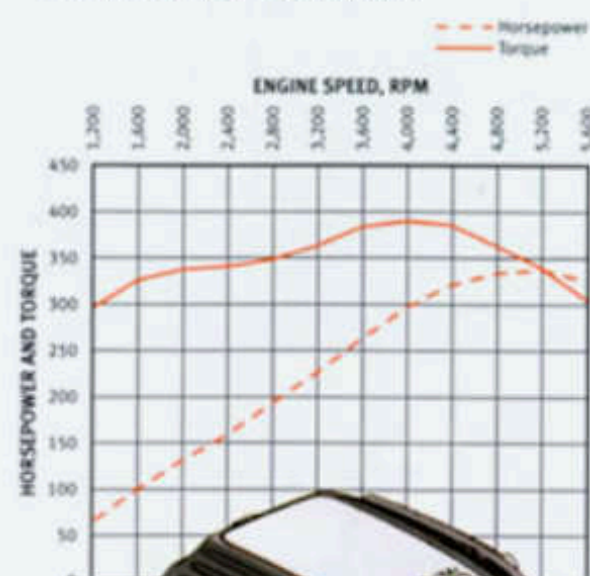
3.5-LITER HIGH OUTPUT SOHC 24-VALVE V6

Standard on SE and SXT models.
250 horsepower @ 6,400 rpm
250 lb-ft of torque @ 3,800 rpm



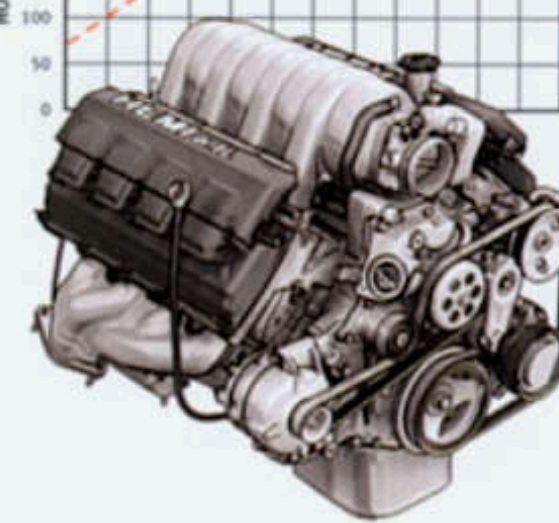
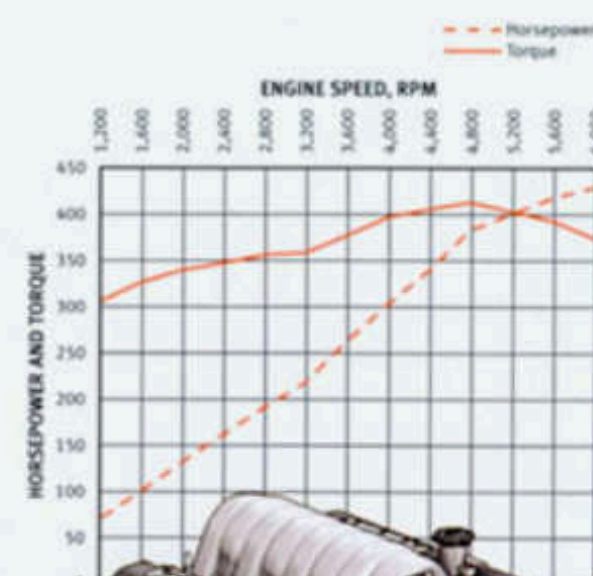
5.7-LITER HEMI® MULTI-DISPLACEMENT V8

Standard on R/T and Daytona models.
340 horsepower @ 5,000 rpm
350 horsepower @ 5,000 rpm (Daytona R/T, R/T Road/Track)
390 lb-ft of torque @ 4,000 rpm



6.1-LITER SRT HEMI V8

Available only on the SRT8.
425 horsepower @ 6,000 rpm
420 lb-ft of torque @ 4,800 rpm



CHARGER SAFETY AND SECURITY

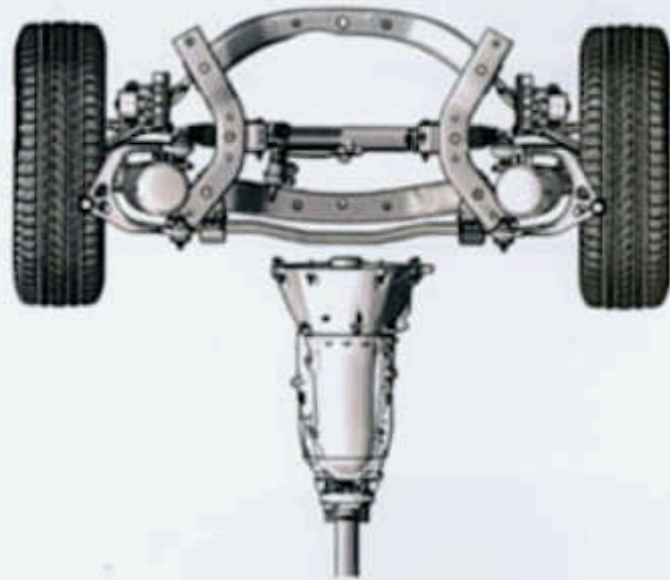


★ ★ ★ ★ ★
FIVE-STAR

HIGHEST GOVERNMENT
FRONTAL CRASH TEST RATING

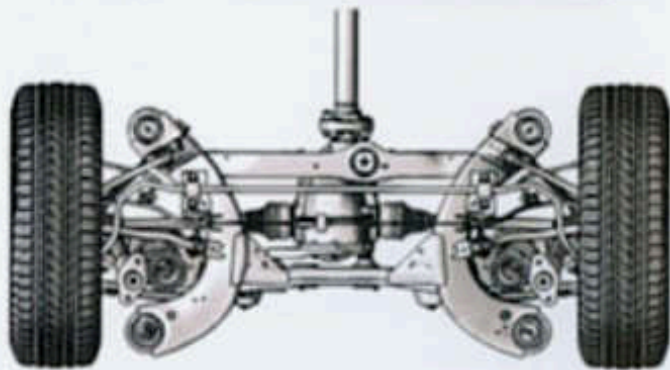
SLA SUSPENSION

Engineered with a multilink short-/long-arm (SLA) suspension for dynamic handling and excellent ride characteristics. Bushing compliances were tuned for a dramatic reduction in road noise.



ALL-SPEED TRACTION CONTROL/ESP

By braking the slipping wheel when traction is lost and adjusting throttle control as needed, All-Speed Traction Control helps provide directional stability and assists in keeping the vehicle on its intended course. Charger's Electronic Stability Program* (ESP) constantly monitors the driver's input and the vehicle's actual course, providing corrections when needed. It is a technology which also helps to ensure that Charger's unbridled horsepower is precisely transferred to the pavement.

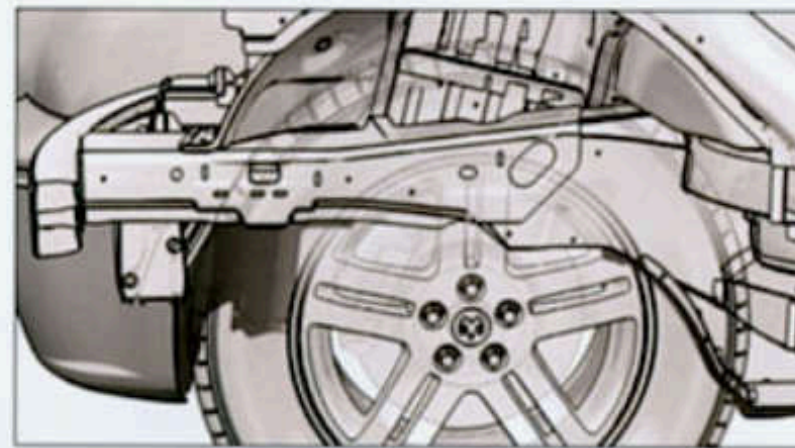


FIVE-LINK INDEPENDENT REAR SUSPENSION

The rear suspension is mounted to a steel cradle which is attached to the body via four large rubber mounts. The geometry not only isolates the passenger compartment from axle and road noise, it also lowers the unsprung weight, providing for more responsive handling.

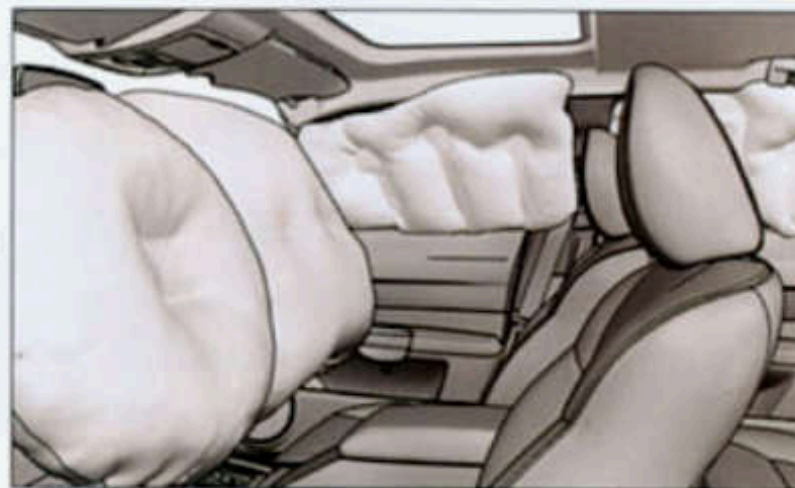
CRUSH ZONES

Engineered with safety in mind, Charger's unitized steel body and chassis features three distinct crush zones: the area in front of the engine; the area that houses the engine, transmission and driveshaft; and the area between the engine bay and the instrument panel. These individual zones are designed to absorb impact energy, dispersing it while directing it away from the passenger compartment.



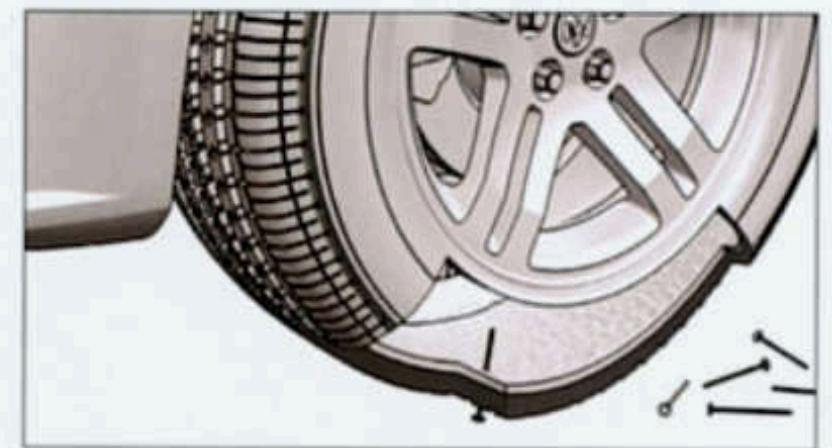
ADVANCED MULTISTAGE AIR BAGS/OCS

Besides multistage driver and front-passenger air bags, and a front-passenger Occupant Classification System* (OCS) for controlled air bag deployment, Charger provides constant-force seat belt retractors, pretensioners and the Child Seat Anchor System (LATCH). In addition, Charger offers available side-curtain air bags* for additional side-impact protection for front and rear outboard occupants.



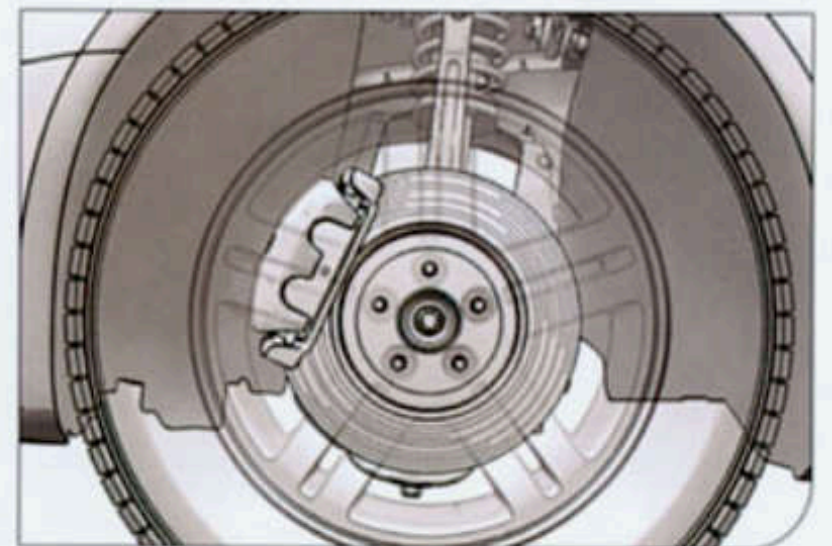
SELF-SEALING TIRES AND TIRE PRESSURE MONITORING SYSTEM

Charger offers available tires that feature an additional inner coating of puncture sealant that seals up to a 0.19-inch puncture (5mm). In the event of a puncture, the sealant surrounds the intruding object to maintain air pressure. The Tire Pressure Monitoring System provides drivers instantaneous alerts whenever low tire pressure is detected.



ABS/BRAKE ASSIST

Charger's state-of-the-art four-wheel antilock brake system works in conjunction with the vehicle's tandem-diaphragm vacuum booster to deliver shorter controlled stops. In addition, the standard Brake Assist program monitors brake pedal pressures and is designated to apply maximum pressure to the brake booster if a panic situation is detected.





CHARGER R/T. A PROFILE IN MODERN MUSCLE. With sculpted haunches and an athletic stance, Charger R/T emanates the kind of confidence that comes with having a 5.7-liter HEMI® V8 engine bolted down beneath the hood. It backs up its styling with 340 best-in-class¹ horsepower and 390 lb-ft of torque. Mated to a 5-speed AutoStick® transmission, the HEMI engine's power can be controlled either manually or automatically. Charger's advanced electronics also benefit the R/T's standard Electronic Stability Program (ESP) with Brake Assist, ABS system and All-Speed Traction Control. Its style runs from its 18-inch polished aluminum wheels, through its leather-trimmed seats and steering wheel and permeates the R/T's cabin thanks to six Boston Acoustics™ speakers powered by a 276-watt amp. Dig in at dodge.com/charger/rt



CHARGER SRT8. DISPLACES 6.1-LITERS AND EVERYTHING IN ITS PATH. Dodge engineers have bore a legend: the 6.1-liter HEMI SRT8 engine. Output has been beefed-up to 425 horsepower and 420 lb-ft of torque. Charger's numbers have been whittled down to 0-60 mph in around five seconds. The power is fed by a menacing, fully integrated hood-mounted air intake and delivered to the tarmac via 20-inch SRT forged aluminum wheels with massive Z-rated skins. SRT8's output is kept corralled thanks to its Electronic Stability Program (ESP) with Brake Assist, antilock four-wheel Brembo Performance brakes, performance-tuned steering and All-Speed Traction Control. Place yourself between its color-keyed crosshair grille and SRT-embroidered seatbacks and its unique instrument panel will show you numbers that only an SRT can deliver. That's why every owner is invited to the SRT track experience; a one-day driving course conducted by a professional driving school on selected tracks. Get schooled at www.SRTTrackExperience.com. Study up at dodge.com/charger/srt8



CHARGER SXT & CHARGER R/T. ATTITUDE RUNS IN THE FAMILY. With its 3.5-liter High Output 24-valve V6 engine mated to a 5-speed AutoStick® transmission, SXT has what it takes to put 250 horsepower and 250 lb-ft of torque to use. On the exterior, it delivers with 17-inch machined-face aluminum wheels. Inside, it delivers with a 60/40 split-folding rear seatback and 8-way power driver's seat. Like its AutoStick transmission, SXT's ABS, All-Speed Traction Control and Electronic Stability Program (ESP) with Brake Assist also run standard on its R/T stablemate. Get a dose of it at dodge.com/charger/attitude



CHARGER DAYTONA R/T. THERE'S A REASON WHY HE'S CALLED "THE KING". Daytona delivers modern performance while clad in Dodge throwback colors that nod to an era when Richard Petty drove his Charger to 37 NASCAR wins. Its tuned 5.7-liter HEMI V8 puts out 350 horsepower. Air enters its Hemi Orange-accented engine cover and intake and leaves the bright tips of Daytona's high-performance dual exhaust forever changed. Drivers will be similarly stirred by its dialed-in handling, firmly dampened, high-response steering and performance Nivomat load-leveling rear shocks. Inside, senses are stirred with high-performance heated 8-way power driver and front-passenger seats with perforated Preferred Suede® and matching body-color stitching with an embroidered "Daytona" logo. Full-on color cues are also built into the body-color center stack bezel and seat, shifter and steering wheel stitching. The interior's comfort counters massive doses of exterior attitude, delivered via "HEMI" and "DAYTONA" blackout decals, classic R/T chrome, red and black-colored badging on the grille, rear decklid and honeycomb blackout grille insert, 18-inch polished aluminum wheels with black accent pockets, and black front chin and rear decklid spoilers. Daytona's numbered limited-edition interior badge serves as a constant reminder of how good it is to be king. All hail the Charger at dodge.com/charger/daytona

*No system, no matter how sophisticated, can repeal the laws of physics or overcome careless driving actions. Performance is limited by available traction, which snow, ice and other conditions can affect. When the ESP warning lamp in the speedometer flashes, the driver needs to use less throttle and adapt speed and driving behavior to prevailing road conditions. Always drive carefully, consistent with conditions. Please always wear your seat belt. †Children 12 and under should always be in a backseat correctly using an infant or child restraint system, or the seat belt positioned correctly for the child's age and size. ‡The OCS determines the conditions for activation or deactivation of the passenger-side front air bag based upon the weight of the occupant. It may not activate the air bag if the occupant has incorrect seating posture or is moving in the seat. You should observe the air bag lamp to determine if the OCS is deciding properly. Passengers should sit properly in the seat with the seat belt fastened at all times. †2005 Ward's Upper Middle segment.

CHARGER UNLEASHED

Whatever happened to the muscle car? You know, the one that would send schoolkids scurrying to the other side of the bus just to watch it rumble past. Where did that great American machine go? It was sent to its cage. » Leave it to us to unleash it. The Dodge Charger is back with broad shoulders. » The 2006 Charger is a rare piece of modern muscle designed to deliver on every level without ever dragging its knuckles on the pavement. The all-new Charger is fortified with technologies that provide newfound efficiency and unparalleled control from a thoroughly reinvented rear-wheel-drive package. And it's got a HEMI.[®] From the 5.7-liter HEMI V8 that puts out 340 best-in-class* horsepower to the brilliantly blueprinted 425-horsepower 6.1-liter HEMI SRT8, Charger's got the goods. » You'll know from one turn of the key that this Charger wasn't designed to simply silence critics of the American muscle car. It was designed to deafen them. *Based on Ward's 2005 Upper Middle Segment.

GRAB LIFE BY THE HORNS



FLIP OPEN FOR MORE ON CHARGER.



MAGNESIUM PEARL COAT



*INFERNO RED CRYSTAL PEARL**
*SRT8 available exterior colors



*BRIGHT SILVER METALLIC**



*BRILLIANT BLACK CRYSTAL PEARL**



MIDNIGHT BLUE PEARL



STONE WHITE



SILVER STEEL METALLIC



Go ManGo!



TOP BANANA*

*Daytona R/T available exterior colors (late Fall '05 availability)

SE — 17" Wheel Cover

SXT — 17" Machined-face Aluminum

R/T — 18" Polished Aluminum R/T

Daytona R/T — 18" Polished Aluminum with Black Wheel Pockets Included in R/T with Road/Track Performance Group

SRT8 — SRT Forged Aluminum

From the styled covers on the standard 17-inch wheels on the SE; the 17-inch machined alloys on the SXT; the 18-inch polished aluminum wheels on the R/T or 18-inch polished aluminum with black wheel pockets on the Daytona R/T and R/T with Road/Track Performance Group; straight up to the 20-inch SRT forged aluminum rims of the SRT8, Charger takes its tread-holders seriously.

When it comes to colors, Charger's finish choices range from elegantly pearled to radically retro. The Daytona R/T package pulls classics like Go ManGo! and Top Banana from the Dodge paint closet. Future Daytona's will bring additional heritage colors.



SE



SXT



R/T



DAYTONA R/T
R/T ROAD/TRACK



SRT8

CHARGER BUYER'S GUIDE

	SE	SXT	R/T	R/T Road/Track	Daytona R/T	SRT8
ENGINE/TRANSMISSION	2DE	2DG	2DN	2DN	2DV	2DX
3.5L High Output SOHC 24V V6/5-Speed AutoStick®	27E	27G				
5.7L SOHC Multiple Displacement System V8/5-Speed AutoStick			29N	29N	28V	
6.1L SRT HEMI® SMPI V8/5-Speed AutoStick						21X
MECHANICAL						
BRAKES						
– 4-wheel disc Antilock with All-Speed Traction Control	•	•				
– Performance 4-wheel disc antilock with All-Speed Traction Control			•	•	•	
– 4-wheel disc ABS with All-Speed Traction Control, Brembo Performance brakes						•
ELECTRONIC STABILITY PROGRAM (ESP) – Includes Brake Assist	•	•	•	•	•	•
HEAVY-DUTY ENGINE COOLING						
– Severe-Duty II Engine Cooling						•
SPEED CONTROL – Electronic with steering column-mounted controls						
	•	•	•	•	•	•
STEERING						
– Power, rack-and-pinion	•	•	•			
– Performance, 9-Land steering gear				•	•	
– Performance-tuned						•
SUSPENSION – Touring						
– Load-leveling and height control	•	•	•			
– Performance				•	•	
– High-Performance						•
EXTERIOR FEATURES						
EXHAUST SYSTEM – Stainless steel dual exhaust with bright exhaust tips						
			•	•	•	•
FRONT/REAR SOLAR CONTROL GLASS						
	•	•	•	•	•	•
LIGHTING, EXTERIOR						
– Fog lamps, integral to front fascia		•	•	•	•	•
– Headlamps: Halogen, with black headlamp bezel	•	•	•	•	•	•
MIRRORS, EXTERIOR						
– Power fixed, black	•	•				
– Power, heated, foldaway, body-color			•	•	•	•
SPOILER – Rear; black						
– Body-color					•	
SUNROOF – Power, with express-opening/-closing feature						
		O	O	O	O	O
TIRES						
– P215/65R17 98T BSW All-Season	•	•				
– P225/60R18 BSW All-Season Touring (Included w/18-inch Polished wheel)		P	•			
– P235/55VR18 BSW All-Season Performance				•	•	
– P245/45ZR20, P255/45ZR20 Performance						•
– P215/65R17 All-Season, self-sealing (Packaged in Protection Group)	P	P				
– P225/60R18 All-Season Touring self-sealing (Packaged in Protection Group)		P	P	P	P	
– P245/45ZR20 All-Season Performance						O
– Compact Spare Tire	•	•	•	•	•	
– TIREFIT System: Tire Sealant and Compressor						•
WHEELS						
– 17" Steel with bolt-on wheel covers	•					
– 17" Aluminum, machined		•				
– 18" Polished Aluminum		O	•			
– 18" Aluminum Polished w/Black Wheel Pockets				•	•	
– 20" SRT Forged Aluminum						•
WIPERS – Variable Intermittent						
	•	•	•	•	•	•

FLIP OPEN FOR MORE CHARGER DETAILS.

CHARGER (CONTINUED)

	SE	SXT	R/T	R/T Road/Track	Daytona R/T	SRT8
INTERIOR FEATURES						
AIR CONDITIONING — Automatic Dual Zone Temperature Control (Packaged in Convenience Group II and SRT Option Group I)			P	•	•	P
ELECTRONIC VEHICLE INFORMATION CENTER (EVIC) — Includes instrument cluster with display screen; temperature and compass gauge; traveler/mini-trip computer (Packaged in Electronics Convenience Group)			P	P	P	•
FLOOR CONSOLE — with front/rear climate control outlets and cell phone storage with 12V power outlet	•	•	•	•	•	•
FRONT READING/MAP LAMPS	•	•	•	•	•	•
UNIVERSAL GARAGE DOOR OPENER — Programmable, 3-function with remote controls for garage door opener, interior/exterior home lighting or security devices (Packaged in the Electronics Convenience Group and SRT Option Group III)			P	P	P	P
IN-CLUSTER OUTSIDE TEMPERATURE DISPLAY	•	•	•	•	•	•
LIGHTING — Rear Reading/Courtesy Lamps	•	•	•	•	•	•
MIRRORS, INTERIOR						
— Day/night rearview	•	•	•	•	•	•
— Auto-Dimming Rearview Mirror (Packaged w/UConnect™ and SRT Option Group I)	P	P	P	P	P	P
— Dual covered visor vanity	•					
— Illuminated visor vanity		•	•	•	•	•
PEDALS — Power adjustable (Packaged in Convenience Group I SE, Comfort Seating Group SXT, and Convenience Group II R/T and Dayton R/T)	P	O/P	P	P	P	•
POWER ACCESSORY DELAY	•	•	•	•	•	•
SHIFT KNOB						
— Urethane	•					
— Leather-wrapped (Body-color stitching on Daytona R/T)		•	•	•	•	•
SPEEDOMETERS						
— 140-mph	•	•				
— 160-mph			•	•	•	
— 180-mph						•
STEERING WHEEL						
— Urethane	•					
— Leather-wrapped		•	•	•	•	•
— Manual tilt/telescoping steering column	•	•	•	•	•	•
VIDEO ENTERTAINMENT SYSTEM™ (VES) — Includes 7" screen, 2 wireless headsets, remote, auxiliary input jacks		O	O	O	O	
WINDOWS						
— Power, driver one-touch with auto reverse	•	•	•	•	•	•
— Express up/down (Packaged in Convenience Group II)			P	P	P	
SEATING AND TRIM						
SEAT MATERIALS						
— Cloth-trim, low-back bucket	•	•				
— Leather-trimmed bucket (Packaged in Comfort Seating Group)		P	•			
— Performance seat with Radar Perforated Suede inserts				•	•	
— Leather-trimmed with studs pattern Preferred Suede® inserts						•
SEATS, FRONT						
— Leather-trimmed bucket (Packaged in Comfort Seat Group)		O/P	•			•
— Power 8-way Driver's Seat (Packaged in Convenience Group I)	P	•	•	•	•	•
SEATS, REAR — 60/40 split-folding with armrest and cup holders		•	•	•	•	•
AUDIO OPTIONS						
RADIO						
— AM/FM radio with compact disc and changer controls and auxiliary input jack	•	•	•	•	•	•
— AM/FM/Cassette radio, CD with 6-disc and MP3 compatibility (Packaged in Sound Group II and SRT Option Group II)		O	O/P	O/P	O/P	P
— AM/FM radio with 5.8" integrated display and navigation system with GPS and MP3 compatibility (Packaged in SRT Option Group III)			O	O	O	P
SIRIUS SATELLITE RADIOSM — (Packaged in SRT Option Group III)		O	O	O	O	P
SOUND SYSTEMS						
— 4 Speakers	•					

AUDIO OPTIONS (continued)

SOUND SYSTEMS (continued)

- 6 Boston Acoustics with 276-watt digital amplifier
- 6 Boston Acoustics™ with 322-watt digital amplifier and subwoofer (Packaged in Sound Group II)
- 11 High-Performance Kicker Speakers with a 276-watt amplifier and 200-watt subwoofer amplifier (Packaged in SRT Option Group II)

SAFETY AND SECURITY

AIR BAGS⁽¹⁾

- Advanced Multistage driver and front-passenger with Occupant Classification System (OCS)
- Side-curtain for front and rear seats (Packaged in Protection Group)

CHILD SEAT ANCHOR SYSTEM (LATCH) — Lower child seat anchors and upper tether anchors help ease the installation of compatible aftermarket child seats

DOOR LOCKS — power, speed-sensitive

ENGINE BLOCK HEATER

REMOTE KEYLESS/ILLUMINATED ENTRY SYSTEM — Includes 2 transmitters and panic button

SEAT BELTS

- Front: Shoulder, height adjustable
- Rear: Center 3-point

SECURITY ALARM (Packaged in Electronics Convenience Group on R/T and Daytona R/T and SRT Options Group II)

SENTRY KEY⁽²⁾ — Antitheft Engine Immobilizer

TIRE PRESSURE MONITORING DISPLAY

TIRE PRESSURE MONITORING WARNING LAMP

UCONNECT™ HANDS-FREE COMMUNICATION — Includes auto-dimming rearview mirror (Packaged in SRT Option Group III)

PACKAGES

COMFORT SEATING GROUP — Includes leather-trimmed seats; 8-way heated, power driver and front-passenger seats; and power adjustable pedals.

CONVENIENCE GROUP I — Includes 8-way power driver seat and power adjustable pedals

CONVENIENCE GROUP II — Includes 8-way heated, power driver and front-passenger seats; Dual Zone ATC; and power adjustable pedals

ELECTRONICS CONVENIENCE GROUP — Includes Electronic Vehicle Information Center (EVIC); instrument cluster with display screen; temperature and compass gauge; traveler/mini-trip computer; security alarm; steering wheel-mounted audio controls; and universal garage door opener.

PROTECTION GROUP — Includes side-curtain air bags, air filtration system, and self-sealing tires

SMOKER'S GROUP — Includes front ashtray and cigar lighter

SOUND GROUP II — Includes AM/FM Cassette/CD 6-disc MP3 radio with 6-speaker Boston Acoustics speakers with subwoofer and 322-watt amplifier

SRT OPTION GROUP I — Includes air filtration system, Dual Zone ATC, heated front seats and Universal Garage Door Opener

SRT OPTION GROUP II — Includes 11-speaker Kicker Audio System, security alarm and AM/FM cassette/CD 6-disc MP3 radio

SRT OPTION GROUP III — Includes AM/FM radio with integrated display and navigation system with GPS and MP3 capability, SIRIUS Satellite Radio⁽³⁾ and Uconnect™ Hands-Free Communication System

• = Included, P = Available within package noted, O = Optional

⁽¹⁾Includes one-year subscription provided by SIRIUS, available in Continental U.S.

⁽²⁾Certified to the Federal Regulations that allow less forceful front air bags. Always use seat belts. Children 12 and under should always be in a backseat correctly using an infant or child restraint system, or the seat belt positioned correctly for the child's age and weight. The OCS determines the conditions for activation or deactivation of the passenger-side front air bag based on the weight of the occupant. It may not activate the air bag if the occupant has incorrect seating posture or is moving in the seat. You should observe the air bag light to determine if the OCS is deciding properly. Passengers should sit properly in the seat with the seat belt fastened at all times.

	SE	SXT	R/T	R/T Road/Track	Daytona R/T	SRT8
--	----	-----	-----	----------------	-------------	------

— 6 Boston Acoustics with 276-watt digital amplifier		•	•	•	•	•
--	--	---	---	---	---	---

— 6 Boston Acoustics™ with 322-watt digital amplifier and subwoofer (Packaged in Sound Group II)			P	P	P	
--	--	--	---	---	---	--

— 11 High-Performance Kicker Speakers with a 276-watt amplifier and 200-watt subwoofer amplifier (Packaged in SRT Option Group II)						P
--	--	--	--	--	--	---

--	--	--	--	--	--	--

--	--	--	--	--	--	--

--	--	--	--	--	--	--

--	--	--	--	--	--	--

--	--	--	--	--	--	--

--	--	--	--	--	--	--

--	--	--	--	--	--	--

--	--	--	--	--	--	--

--	--	--	--	--	--	--

--	--	--	--	--	--	--

--	--	--	--	--	--	--

--	--	--	--	--	--	--

--	--	--	--	--	--	--

--	--	--	--	--	--	--

--	--	--	--	--	--	--

--	--	--	--	--	--	--

--	--	--	--	--	--	--

--	--	--	--	--	--	--

--	--	--	--	--	--	--

--	--	--	--	--	--	--

--	--	--	--	--	--	--

--	--	--	--	--	--	--

--	--	--	--	--	--	--

--	--	--	--	--	--	--

--	--	--	--	--	--	--

--	--	--	--	--	--	--

--	--	--	--	--	--	--

--	--	--	--	--	--	--

--	--	--	--	--	--	--

--	--	--	--	--	--	--

--	--	--	--	--	--	--

--	--	--	--	--	--	--

--	--	--	--	--	--	--

--	--	--	--	--	--	--

--	--	--	--	--	--	--

--	--	--	--	--	--	--

--	--	--	--	--	--	--

--	--	--	--	--	--	--

--	--	--	--	--	--	--

--	--	--	--	--	--	--

--	--	--	--	--	--	--

--	--	--	--	--	--	--

--	--	--	--	--	--	--



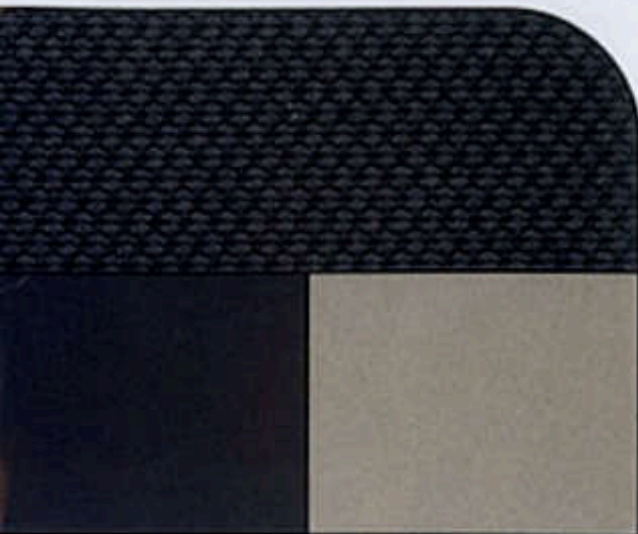
CHARGER SE › ALL CHARGER MODELS INCLUDE THESE FEATURES: 3.5-liter High Output V6 engine › 250 horsepower @ 6,400 rpm › 250 lb-ft of torque @ 3,800 rpm › 5-speed AutoStick® transmission › AM/FM/CD radio system with four speakers, auxiliary input jack › Accessory delay › Driver and passenger lumbar support › Electroluminescent cluster technology › Enhanced battery saver › Outside temperature display › Power mirrors › Power trunk lid release › Power windows (driver one-touch down) and locks › Speed control › 18-gallon fuel tank › Electronic Stability Program with Brake Assist › ABS › All-Speed Traction Control



CHARGER SXT › INCLUDE THE STANDARD EQUIPMENT OF THE PREVIOUS TRIM LEVEL EXCEPT WHERE ADDITIONS ARE NOTED: 3.5-liter High Output V6 engine › 250 horsepower @ 6,400 rpm › 250 lb-ft of torque @ 3,800 rpm › 17-inch tires and machined-face aluminum wheels › 60/40 split-folding rear seatback with center armrest › Eight-way power adjustable driver's seat › Fog lamps › Illuminated visor mirrors › Leather-wrapped steering wheel and shift knob › Six Boston Acoustics™ speakers w/276-watt digital amplifier › Chrome grille surround



CHARGER R/T › INCLUDE THE STANDARD EQUIPMENT OF THE PREVIOUS TRIM LEVEL EXCEPT WHERE ADDITIONS ARE NOTED: High-performance 5.7-liter HEMI® V8 engine w/Multiple Displacement System (MDS) › 340 horsepower @ 5,000 rpm › 390 lb-ft of torque @ 4,000 rpm › Dual-exhaust with bright tips › Leather-trimmed seats › Tire pressure monitor › 18-inch polished aluminum wheels and all-season touring tires › 19-gallon fuel tank

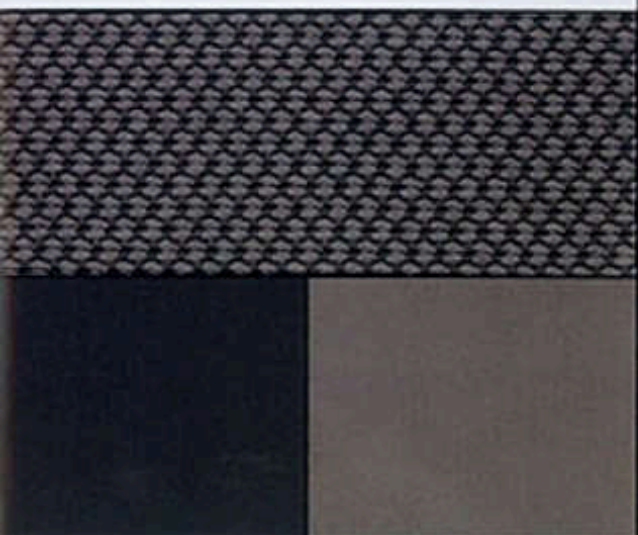


Medium Slate Gray Trumbull Cloth (Interior shown)
 Dark Slate Gray (upper trim) Light Slate Gray (lower trim)
 Dark Slate Gray Trumbull Cloth
 Dark Slate Gray (upper trim) Light Graystone (lower trim)

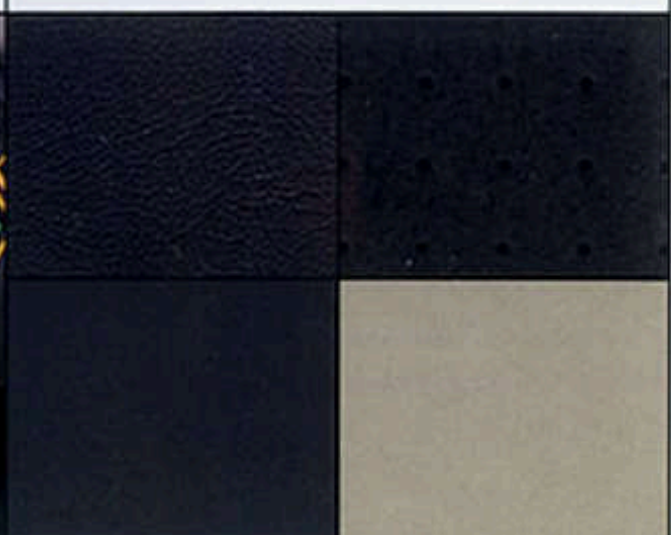


CHARGER R/T WITH ROAD/TRACK PERFORMANCE GROUP › High-performance 5.7-liter HEMI® V8 engine w/MDS › 350 horsepower › 390 lb-ft of torque › Performance seats with perforated Preferred Suede® inserts › Dual Zone ATC › 8-way heated, power driver's and front-passenger seats › Performance steering, suspension, wheels and tires › Power adjustable pedals › load-leveling and height control shocks › 18-inch polished aluminum wheels with painted blacked-out pockets › P235/55 R18 all-season performance tires

Dark Slate Gray Performance seats with perforated Preferred Suede Inserts
 Dark Slate Gray (upper trim) Light Graystone (lower trim)



Dark Slate Gray Trumbull Cloth (Interior shown)
 Dark Slate Gray (upper trim) Light Graystone (lower trim)
 Medium Slate Gray Trumbull Cloth
 Dark Slate Gray (upper trim) Light Slate Gray (lower trim)

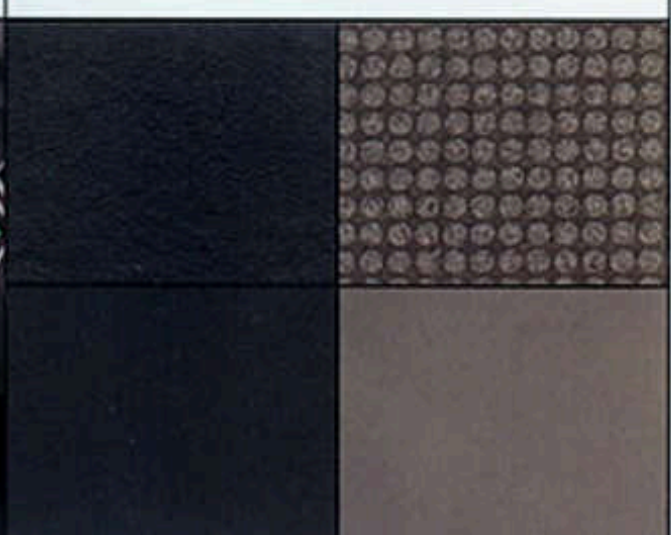


CHARGER DAYTONA R/T › High-performance 5.7-liter HEMI® V8 engine w/MDS › 350 horsepower › 390 lb-ft of torque › High Performance dual-exhaust and induction › Hemi Orange engine cover › Performance, Nine-land steering gear with firm damping › Performance Nivomat™ load-leveling rear shock absorbers › Matching body-color stitching with embroidered Daytona logo on front seats › Body-color center stack bezel, shifter and steering wheel stitching › Polished 18-inch aluminum wheels w/painted blacked out pockets › "HEMI" blackout decal graphics on the hood › "Daytona" on the rear quarters and blackout rear decklid › body-color heated mirrors › Rear decklid and front chin spoiler › Heritage chrome, red and black R/T badge on front grille and rear decklid

Dark Slate Gray Performance seats with perforated Preferred Suede Inserts
 Dark Slate Gray (upper trim) Light Graystone (lower trim)



R/T (Optional SXT) (Interior shown)
 Light Graystone Royale Leather Trim
 Dark Slate Gray (upper trim) Light Graystone (lower trim)
 R/T (Optional SXT)
 Light Slate Gray Royale Leather Trim
 Dark Slate Gray (upper trim) Light Slate Gray (lower trim)



CHARGER SRT8 › 6.1-liter HEMI V8 engine › 425 horsepower › 420 lb-ft of torque › Leather-trimmed seats with studs pattern Preferred Suede® inserts › Antilock four-wheel Brembo Performance brakes with All-Speed Traction Control › Power front driver/passenger seats › SRT8 badging › Performance-tuned steering › Leather-wrapped steering wheel with carbon fiber upper trim › High-performance suspension › 20-inch SRT forged aluminum wheels › P245/45 ZR20 front, P255/45 ZR20 rear Goodyear Performance tires › Seven Boston Acoustics™ speakers with subwoofer and 276-watt amp

Dark Slate Gray Royale Leather with Medium Slate Gray studs pattern Preferred Suede Inserts
 Dark Slate Gray (upper trim) Light Slate Gray (lower trim)



GT SPORT PACKAGE: Hexagon Grille Insert; aerodynamic Rear Spoiler, Cat-Back Exhaust System with Dual Chrome Exhaust Tips; durable Rear Fascia Air Diffuser; premium 17-Inch 5-Spoke Chrome Wheels.

AUTHENTIC DODGE ACCESSORIES





A



B



C



D



E

AUTHENTIC DODGE ACCESSORIES BY MOPAR

A. REMOTE START.* Hit the ground running with the ability to start your charger from up to 800 feet away. This remote start was designed to operate seamlessly with your vehicle's electronic security key.

*Check state and local laws for remote starters.

B. NAVUS™ DASH-MOUNTED NAVIGATION SYSTEM. The Navus full-color touch-screen display features turn-by-turn directions, full-map view with directional prompts, automatic re-routing, voice instructions and more; providing advanced GPS technology in an integrated and affordable package.

C. LOWER FRONT FASCIA AIR DAM. It delivers some airdam attitude along with the confidence of knowing that it has passed a rigorous testing process for vibrations.

D. 18-INCH 5-SPOKE CHROME WHEELS. Machined to perfectly match your Charger's hubs, these Mopar wheels have passed a stringent testing process to prove the durability of their design and finish.

E. HEMI® ENGINE COVER. Clad with HEMI lettering and the Dodge Ram's head logo in throwback Hemi Orange, this carbon fiber-style engine cover rings true to novices and purists alike.

Chrysler Financial

Chrysler Financial, a member of the DaimlerChrysler Services Group, offers flexible payment plans and financing products to qualified buyers.

Ask your Dodge dealer to help you arrange a Chrysler Financial financing or leasing plan that meets your driving needs and your lifestyle. To learn more, visit chryslerfinancial.com. Once you're there, you can use our payment estimator, determine which vehicle fits your budget, and apply for preapproval.



AUTO INSURANCE

Dodge Auto Insurance: The only insurance guaranteed to repair your vehicle using Authentic Dodge Collision Repair Parts by Mopar — at rates that are tough to beat. For a free quote, call 1-800-836-1598, ext. 5297 or keycode P7PXXX, or visit dodgeautoinsurance.com.



Enhance your Dodge Charger with Authentic Dodge Accessories by Mopar. They're designed specifically for your vehicle, for exceptional fit, finish and performance. Visit your dealership or mopar.com/dodge.



If your business relies on vehicles, Dodge **BUSINESSLINK** dealers can keep your business rolling. For more, log onto dodge.com/businesslink or call us toll-free at 877-2THELINK.



SIRIUS Satellite Radio offers over 120 channels of digital quality entertainment, coast-to-coast. Sixty-five channels of 100% commercial-free music, and over 55 channels of world-class sports, news, talk and information. Available on most Dodge vehicles. See your dealer or visit sirius.com for more information.



The Dodge Goods catalog is full of products that reflect that Grab Life by the Horns spirit. It's a handpicked collection of items bearing the powerful Dodge name — from Motorsports apparel and collectible die-cast models to the latest in work and ranch wear. It's all found at dodge.com/goods. Call 877-789-DODGE (3634) for a free catalog.



All Boston Acoustics™ sound systems offer The Boston Sound,™ renowned for smooth tonal balance, natural frequency response, and distortion-free presentation, even at high volume.



Dodge is the official passenger car of NASCAR the third year running. Dodge now supports four racing teams on the NASCAR NEXTEL Cup Series,™ including Ray Evernham Motorsports. Watch drivers Ryan Newman, Kasey Kahne and Jamie McMurray tear it up for Dodge at a track near you.

3/36 LIMITED WARRANTY

All Dodge vehicles are covered by the DaimlerChrysler Bumper-To-Bumper 3-year/36,000-mile Limited Warranty. See dealer for a copy of this limited warranty. Excludes normal maintenance.

About this catalog: Since the time of printing, some of the information you'll find in this catalog may have been updated. Ask your dealer for details. Some of the equipment shown or described throughout this catalog is available at extra cost. Specifications, descriptions, illustrative materials, and all competitive comparisons contained herein are as accurate as known at the time this publication was approved for printing. DaimlerChrysler Corporation reserves the right to discontinue models at any time or change specifications without notice or without incurring obligation. All options are required in combination with other options. For the price of the model with the equipment you desire, or verification of specifications contained here, see your Dodge dealer. Dodge, Mopar, HEMI, Magnum, and Sentry Key are registered trademarks of DaimlerChrysler Corporation. *SIRIUS™ and the SIRIUS dog logo are registered trademarks of SIRIUS Satellite Radio, Inc. HomeLink is a registered trademark owned by Johnson Controls, Inc. Insurance is underwritten by member companies of American International Group, Inc. UConnect is a trademark of DaimlerChrysler Corporation. Preferred Suede is a registered trademark of Milliken & Company. NASCAR® is a registered trademark of the National Association for Stock Car Auto Racing, Inc.

GRAB LIFE BY THE HORNS

