

Retreat

S E R I E S TM



WILKINS-PONTIAC HUMMER

8909 Wayzata Blvd.

P.O. Box 26354

Golden Valley, MN 55426

HUMMER[®]



Altering the Course of History

The toughness and agility of the world's most celebrated 4-wheel-drive vehicle. The smooth ride, maneuverability and comfort of one of the world's best-built driving machines.

Introducing two new HUMMERS that give you the best of both worlds. And they start at \$39,500.



If a Bighorned Sheep were a 4x4, it would be a HUMMER.

Strong, agile and spirited, the new Recruit Series 2-Door Hard Top works hard and plays hard. At \$39,500*, it's an exceptional value. And, optional air conditioning (available in both Recruit models) makes it as comfortable as it is tough.



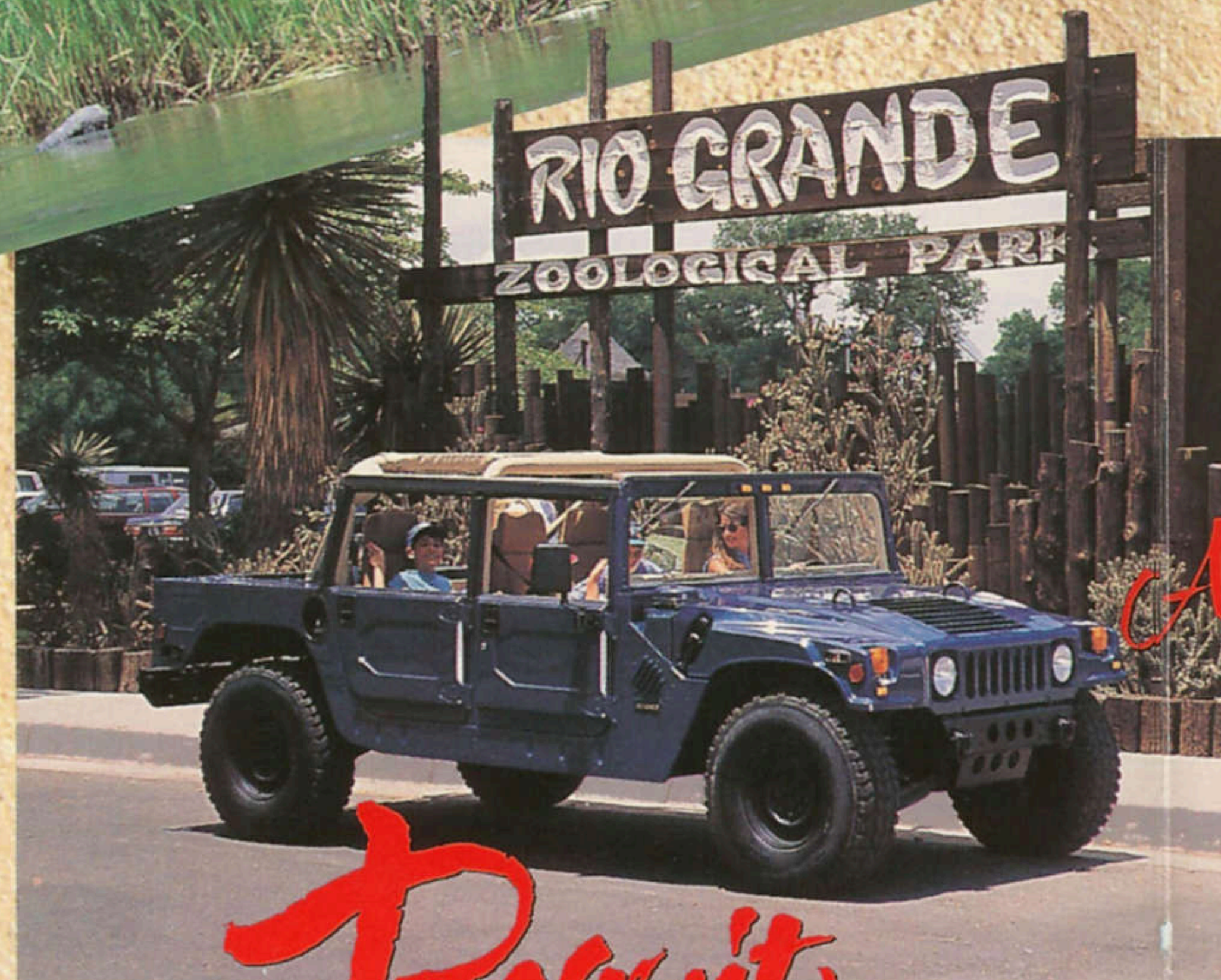
RECRUIT • RECRUIT
RECRUIT • RECRUIT
RECRUIT • RECRUIT
RECRUIT • RECRUIT



The ultimate 4x4

is within your reach. Now, two new HUMMERS... two real HUMMERS.

The Recruit Series: a lean 2-Door Hard Top that will take you places no other 4x4 on earth would dare challenge and take you there in style; and a sporty 4-Door Soft Top as nimble in the heart of the city as it is in the solitude of the great outdoors. Both are priced to place the dream of owning a HUMMER within your reach.



Actions Speak Louder Than Words

Whether you're playing in two feet of Aspen snow, or powering up Telegraph Hill in rush hour traffic, HUMMER's new Recruit Series 4-Door Soft Top makes a definite statement about its owner. With standard features like comfortable high back reclining front bucket seats and priced at \$43,950* it's a statement that makes a lot of sense.

Recruit

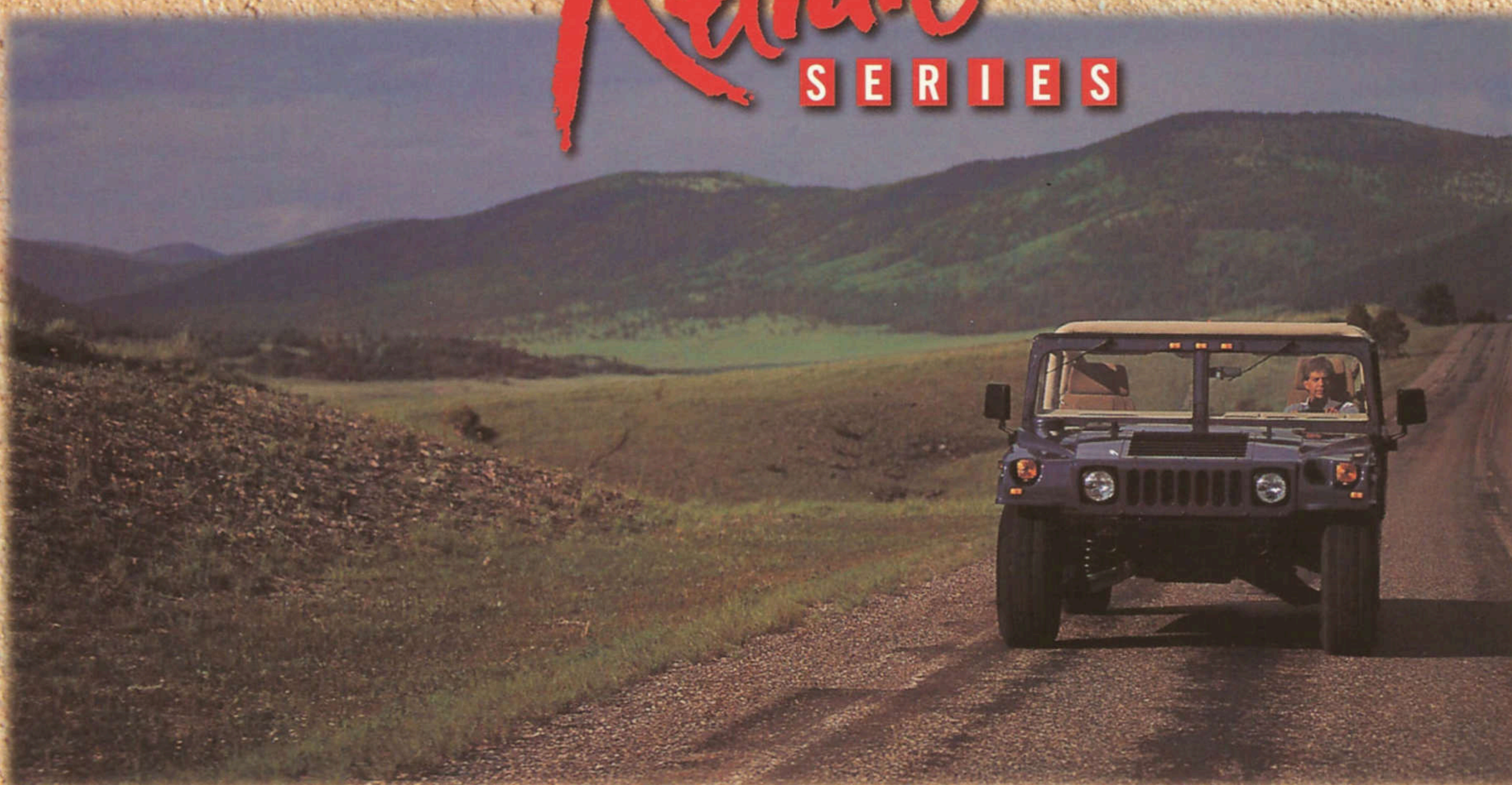
SERIES



TREAD LIGHTLY! OFFICIAL SPONSOR
ON PUBLIC AND PRIVATE LAND

Recruit

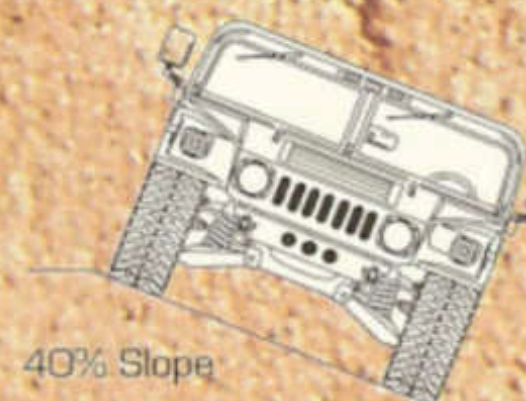
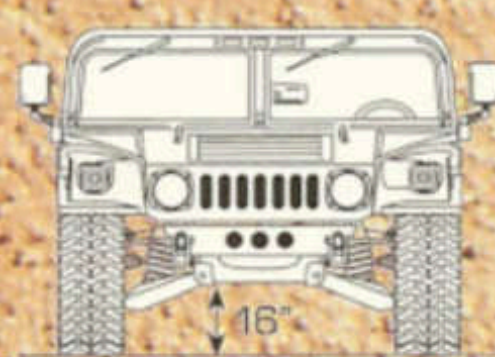
SERIES



HUMMER's 16-inch ground clearance – twice that of the average pickup – gets you there. No matter what, no matter where. And it gets you there in *style*.

The HUMMER will negotiate a 60% vertical grade. Traverse a 40% side slope. Climb a 22-inch vertical step. And slip into a parking space with surprising ease.

Tow 9,000 pounds. Carry nearly 2 tons of people and things. And, HUMMER's 72-inch track combined with an amazingly low center of gravity contribute to driver safety and vehicle stability on every surface.



HUMMER is built to last. Corrosion-resistant aluminum body. Full-time 4-wheel drive. And key to HUMMER's unmatched ground clearance: torque-multiplying geared hubs that double the torque right at the wheel end. This final drive reduction saves wear and tear on key driveline components and brakes. In addition, HUMMER's four wheel independent suspension, power steering, power brakes and automatic transmission make it as driveable in freeway traffic as through the boulders of the High Sierras.

STANDARD EQUIPMENT

- 150 HP, 6.2 Liter Diesel V-8 Engine
- Full-time 4-Wheel Drive System
- 4-Wheel Independent Suspension
- Automatic Transmission
- Power Steering
- Power Disc Brakes
- Durable, Easy Maintenance Trim
- High Back Cloth Bucket Seats
- Aluminum Body
- Molded Fiberglass Hood
- Heat and Sound Insulation
- Halogen Headlights
- 3-Point Seatbelts

HUMMER

*Manufacturer's suggested retail price. Tax, license, destination charges and any factory/dealer installed equipment extra.

Consult your local HUMMER dealer for availability of accessories and current specifications. All specifications are based on latest information available at time of printing. Pictured vehicles may vary slightly from actual production models. Manufacturer reserves the right to change price, color, materials, equipment and specifications at any time and without prior notice. Details and specifications may vary according to local market regulations and conditions. Some models may not be available at all times in all markets.

Copyright AM General, 1993. HUMMER, HUMVEE are registered trademarks and Recruit Series is a trademark of AM General Corporation.