



INTERNATIONAL®

1200 D

Vehicle illustrated may include Optional Equipment and does not necessarily include all standard equipment.

## RATINGS

### MAXIMUM GROSS VEHICLE WEIGHTS:\*

Standard.....	6,100 lbs.
With Heavy-Duty front and rear springs on 115", 119" and 131" W.B.....	7,500 lbs.
With Heavy-Duty rear springs on 149" and 164" W.B.....	7,500 lbs.

\*Requires tires of adequate capacity.

## STANDARD EQUIPMENT

### AXLE, FRONT

FA-12 3,000-lb capacity  
Heat-treated forged-steel I beam

### AXLE, REAR

RA-16 5,500-lb capacity  
Hypoid single reduction  
Full floating, induction hardened axleshaft  
Ratios: 3.54, 3.73, 4.10, 4.56 to 1

### BRAKES, PARKING

Mechanical control of rear service brakes  
Foot pedal applied, finger lever released  
Total lining area: 122.7 sq. inches

### BRAKES, SERVICE

Self-adjusting hydraulic, dual operation with warning light  
Single cylinder, single-piston front  
Single-cylinder, double-piston rear  
Size: 12 x 2 $\frac{1}{2}$ " front, 12 x 2 $\frac{1}{2}$ " rear  
Total lining area: 245.5 sq. inches

### CAB

Choice of interior colors: green, red, blue or black  
All steel, with safety glass windows and sweep-around windshield  
Door locks both sides with safety latches  
Non-glare padded instrument panel with ammeter, fuel, water temperature and oil pressure gauges  
Full width adjustable seat, with Torflex spring construction, vinyl upholstery and polyurethane foam cushion  
Acoustical roof headliner

### CAB (Continued)

Rubber floormat with sound deadening insulation  
Fresh air heater and defroster  
Dual padded sun visors  
Dual arm rests  
Ash tray; hand choke  
Two-speed non-glare electric windshield wipers and electric washers  
Seat belts; shoulder harness anchors  
Chrome door-mounted and inside rear view mirrors

### CLUTCH

11-inch diaphragm type

### COOLING SYSTEM

17 quart system capacity  
Radiator frontal area: 546 sq. inches  
Permanent type anti-freeze —20°F

### ELECTRICAL SYSTEM

12-volt 37-amp alternator  
50 amp-hr, 54-plate battery  
Fuse panel in glove compartment  
Dual stop and tail lights; back-up lights  
Dome light; single electric horn  
Directional signals: front in parking lights, rear in stop lights  
Traffic hazard switch  
Front side reflectors

### ENGINE

International V-266 gasoline V8  
Gross BHP: 154.8 @ 4400 rpm  
Gross torque: 227.1 lb-ft @ 2,800 rpm  
266 cu. in. displmt.; 8.4 to 1 compr. ratio  
Dry type air cleaner; full-flow oil filter  
Aluminized muffler and short tailpipe

### FINISH

Chassis: black; bumper: white  
Hood, cab, fenders and wheels: choice of any standard IH color

### FRAME

Pressed steel channel main rails: 115" — 149" W.B.: 7 x 3 x 0.179"; 4.81 section modulus  
164" W.B.: 7 $\frac{1}{16}$  x 3 $\frac{1}{2}$  x 0.209"; 5.65 section modulus  
Formed-channel front bumper  
Underslung tire carrier

### FUEL TANK

16-gallon, mounted under cab

### STEERING

S-55 gear, with 17-inch steering wheel and energy absorbing anti-penetration column

### SUSPENSION

Semi-elliptic leaf springs  
Front: 2,600-lb capacity (115", 119", 131" W.B.)  
3,100-lb capacity (149", 164" W.B.)  
Rear: 3,500-lb capacity  
Front and rear shock absorbers

### TRANSMISSION

T-24 three-speed fully synchronized  
Gear shift lever on steering column  
Ratios: 3.06, 1.50, 1.00; rev. 3.39

### WHEELS AND TIRES

Single front and rear with spare rim  
8.00 x 16.5 6-PR truck type tires  
8-stud disc wheels, with 6.00 rims  
6 $\frac{1}{2}$ " bolt circles

## OPTIONAL EQUIPMENT

### AXLE, REAR

RA-17 5,500-lb capacity single reduction, with Pow-Lok limited slip differential  
Ratios: 3.54, 3.73, 4.10, 4.56

### BODIES

6 $\frac{1}{2}$  ft. and 8 ft. regular or Bonus Load pickup bodies with rear side reflectors and inside body tire carrier

Travelall® body, with four side doors, rear tailgate with roll-down rear window, white rear bumper, inner body tire carrier; rear side reflectors, dual, chrome, door-mounted mirrors, 21-gallon fuel tank and long tailpipe  
Optional: Full width fold down center seat, removable rear seat, panel-type

### BODIES (Continued)

rear doors  
Panel body with four side doors, double rear doors, driver's individual bucket seat, white rear bumper, rear side reflectors, 21-gallon fuel tank, inside body tire carrier and long tailpipe  
8-ft. stake body with reflectors, clearance, identification and marker lights

### BRAKES, SERVICE

Vacuum power assist system

### CAB

Interior trim package  
Front bucket seats with console  
Nylon carpeting

### CAB (Continued)

Sliding rear window  
Exterior trim package  
4-door 6-passenger Travelette cab  
Full width or passenger seat, for panel body  
Super-capacity heater-defroster  
Air conditioner  
Chrome door-mounted passenger side mirror  
Truck type outside mirrors  
Tinted glass  
Glove compartment lock  
Camper package  
Outside trim moulding  
Simulated black vinyl top  
Undercoating

**OPTIONAL EQUIPMENT (Continued)**

**CLUTCH**

11-inch angle link  
Heavy-duty 11-inch diaphragm type

**COOLING SYSTEM**

Increased capacity system

**ELECTRICAL SYSTEM**

52 or 61-amp alternator  
60 or 70 amp-hr battery  
Dual electric horns; radio  
Cigar lighter  
Five front clearance and identification lights  
Double face fender-mounted directional signals  
Multiple electric connector

**ENGINE**

V-304 gasoline V8  
V-345 gasoline V8  
V-392 gasoline V8

**ENGINE (Continued)**

V-304 LPG V8  
Hand throttle control  
Automatic choke  
Exhaust emission  
Modulated fan  
Heavy-duty air cleaner element  
Air cleaner with modulated air temperature control

**FRAME**

Underslung tire carrier for pickup and panel bodies  
Left side mounted outside tire carrier with regular pickup body  
Spare tire lock  
Chrome front or rear bumper  
White rear bumper  
Trailer hitch  
Rear step bumper with trailer hitch

**FUEL TANK**

Auxiliary 16-gallon tank under left side with dash-mounted tank selector  
15-gallon under cab, in lieu of standard

**STEERING**

Hydraulic power assist system

**SUSPENSION**

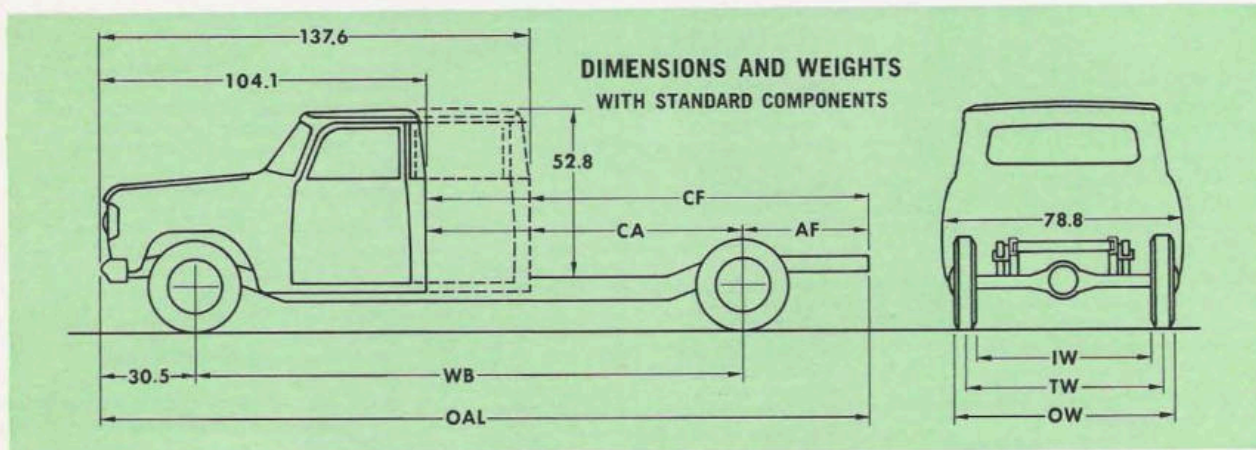
Heavy-duty front springs  
Heavy-duty rear springs  
Auxiliary rear springs  
Heavy-duty front or rear shock absorbers  
Rear sway bar  
Level-aire ride (119" WB only)

**TRANSMISSION**

T-7 HD three-speed with floor-mounted control lever  
T-34 5-speed, synchromesh, overdrive  
T-36 5-speed, synchromesh, direct  
T-418 HD four-speed, with floor-mounted control lever  
T-445 four-speed synchromesh  
Three-speed automatic with oil cooler

**WHEELS AND TIRES**

Optional tires sizes as shown below  
Bright finish hub caps, front and rear



**DIMENSIONS with 8.00 x 16.5 TIRES**

Overall Width: 77.6" at front fenders	Ground Clearance: 8.4" at front axle 7.3" at rear axle	Frame Height at Rear Axle: empty 24.2" loaded
Overall Height: 69.0" at top of cab		

**CHASSIS DIMENSIONS and WEIGHTS**

WB	CHASSIS WEIGHTS, LBS.*			DIMENSIONS				TURNING RADIUS	
	Front	Rear	Total	CA	CF	AF	OAL	To Centerline of Tire	With Bumper Clearance
115"	2,290	1,120	3,410	41.9"	79.6"	37.7"	183.7"	19'9"	21'1"
119"	2,290	1,125	3,415					20'4"	21'8"
131"	2,305	1,125	3,430	57.4"	97.6"	40.2"	201.7"	22'2"	23'6"
149"	2,320	1,125	3,445	75.4"	113.1"	37.7"	217.2"	24'10"	26'2"
149**	2,480	1,370	3,850	41.9"	79.6"	37.7"	217.2"	24'10"	26'2"
164**	2,560	1,390	3,950	57.4"	97.6"	40.2"	235.2"	27'2"	28'6"

\*Chassis and cab with standard equipment, oil, fuel and water. \*\*With Travelette Cab.

**TIRE DIMENSIONS**

Tire Size	TUBELESS			TIRES AND TUBES	
	8.00 x 16.5	8.75 x 16.5	9.50 x 16.5	7.00 x 16	7.50 x 16
Rim Size	6.00	6.75	6.75	5.50F	5.50F
Outside width OW	71.4"	72.2"	73.0"	71.3"	71.7"
Tread width TW	63.0"	63.0"	63.0"	63.0"	63.0"
Inside width IW	54.6"	53.8"	53.0"	54.7"	54.2"
Chain clearance					
Front Tread	63.6"	63.6"	63.6"	63.6"	63.6"

In order that product improvements may be introduced at any time, specifications are subject to change without notice.

INTERNATIONAL HARVESTER COMPANY • 401 NORTH MICHIGAN AVE. • CHICAGO, ILLINOIS 60611

CT-400-G. AD-4237-W9. 6-2.

ORDER AD SPEC. SHEETS ON AD-4130.

Litho in United States of America