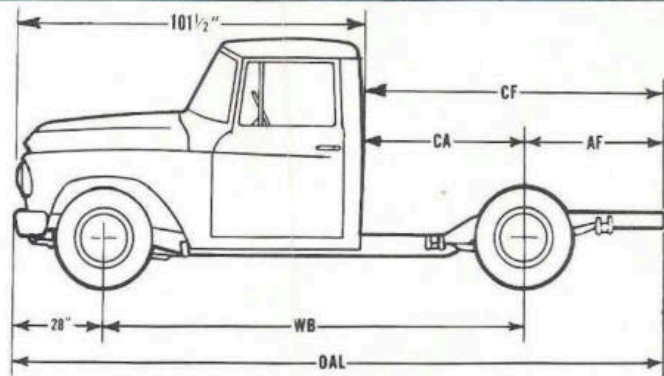




INTERNATIONAL® C-120 SERIES

MAXIMUM GVW, 7,000 LB.

MODEL	GVW RATING
C-120	5,400 lb.
C-122	7,000 lb.



CHASSIS DIMENSIONS

	115	119	122	131	140 *
Wheelbase (WB).....	115	119	122	131	140 *
Overall length with bumper (OAL)...	186.8	186.8	186.8	204.8	208.3
Back of cab to c/l rear axle (CA)...	42.0	45.5	49.0	57.5	33.5
C/l rear axle to end of frame (AF)...	43.3	39.8	36.3	45.8	39.8
Back of cab to end of frame (CF)...	85.3	85.3	85.3	103.3	71.5
Turning radius, bumper clearance (ft.)	21	21 1/2	22	23 1/4	24 3/4
Weight with cab, fuel, oil, water, standard Model C-120, approx. (lb.)	3476	3480	3486	3604	4052

*Travelette only.

Dimensions are given in inches. The following are the same for all wheelbases, based on use of 7-17.5 tires.
Tread: Front wheels, 62.8; rear, 63.
Road Clearance: Front, 7.3; rear, 8.3.
Overall Width: Front, 78; rear, 70.3.
Maximum Height to frame top from ground, at rear axle, loaded: 24.8.

STANDARD SPECIFICATIONS

Axle, Front: Rated capacity, 2,700 lb. Drop-center, I-beam, heat-treated steel drop forging. Steering knuckles of drop-forged, heat-treated, chrome-molybdenum steel.

Axle, Rear: Rated capacity, 4,500 lb. Full-floating, single reduction, hypoid type. Hotchkiss type final drive. Induction-hardened axle shafts. Differential and wheel bearings are tapered rollers. Pinion is straddle-mounted, supported on roller bearings. Reduction, 4.1, 4.777 or 5.13 to 1.

Brake, Hand: Pedal applied, finger released, rear wheel internal-expanding type; effective lining area, 92.2 sq. in.

Brakes, Service: Hydraulic, one-way Servo front, duo Servo rear. Effective lining area, 172.9 sq. in.

Cab: All-steel with Sweep-Around windshield, side, rear and stainless steel-edged adjustable-tension Silent-Vent wing windows, all of safety glass. Adjustable full-width seat and nylon covered foam rubber seat cushion and cotton padded back cushion. Instrument panel with direct-reading gauges; chrome-plated control knobs. Safety type door latches; door locks both sides. Full-width floor with insulated mat. Vinyl-coated insulated headliner. Metal door trim panels. Dual two-speed electric windshield wipers. Inside overhead rear-view mirror. Left side sun visor. Ash tray. Map compartment.

Clutch: Hydraulic, 11-in. diameter, 9-spring, single plate, cushion dry disc, with coil spring vibration damper. Facing area, 123.7 sq. in.

Cooling System: Centrifugal pump, balanced circulation with permanent by-pass for fast, even warm-up. V-belt drive. Fin-and-tube radiator. Large capsule type thermostat. Total capacity, 15 qt.

Electrical System: 12-volt. Pressure-centrifugal control type distributor. 50-amp.-hr. capacity battery. Ignition key solenoid-actuated, positive engagement drive starting motor. 30-amp. generator. Dual sealed-beam headlights. Nine-circuit fuse panel on firewall for wiring without circuit breakers.

Engine: INTERNATIONAL V-266, Y-block, short-stroke, low-friction, low-stress, eight-cylinder, gasoline, valve-in-head. Bore, 3 3/8 in.; stroke, 3 7/8 in.; displacement, 266 cu. in., compression ratio, 8.4 to 1. Maximum brake horsepower, 154.8 at 4400 r.p.m.; maximum torque, 227.1 lb.-ft. at 2800 r.p.m. Five steel-backed, replaceable-shell, precision type main bearings. Five camshaft bearings. Nine rocker arm shaft supports. Slo-rotor exhaust valves faced with heat-resistant alloy. Exhaust valve seat inserts. Hydraulic tappets. Water-jacketed intake manifold. Balanced assembly of crankshaft, flywheel and front pulley.



INTERNATIONAL TRUCKS — World's Most Complete Line!

Equipment, Standard: Front bumper. Combination tail and stop light. Parking lights. Horn. Spare wheel.

Finish: Frame and wheels, black. Hood, cab and fenders painted in your choice of attractive solid standard colors. Anodized aluminum grille.

Frame: Pressed steel channel, 7 x 3 x $\frac{3}{16}$ in.

Fuel System: Horizontal diaphragm, mechanical fuel pump driven from camshaft. Fuel filter. Downdraft carburetor. Large capacity, high efficiency, oil bath air cleaner. Fuel tank, 19-gal., right side under cab.

Lubrication System: Full pressure feed to all main, connecting rod and camshaft bearings. Deep sump oil pan. External gear type oil pump; wire mesh floating oil strainer. Full-flow oil filter. Oil capacity (refill), 6 qt.

Propeller Shaft: Large-diameter, heavy-gauge steel

tubing, dynamically balanced. Needle bearing, anti-friction universal joints.

Springs: Semi-elliptic. Front, 46 x 2½ in. Rear, 52 x 2½ in. Shock absorbers, direct acting, front.

Steering: Semi-reversible, dual ratio, cam and roller-mounted twin lever gear. Four-spoke, 17-in. diameter, safety type steering wheel.

Tires: Front and single rear, tubeless, 7—17.5 TT, 6-ply. Tire carrier.

Transmission: Synchromesh type, three speeds forward, one reverse. Remote control shift lever on steering column, improved shift mechanism. Reductions — low, 3.039 to 1; second, 1.641 to 1; high, direct; reverse, 3.682 to 1.

Wheels: Disc type with 5.25 rims.

OPTIONAL EQUIPMENT AT ADJUSTED COST

Air Conditioner: Efficient, quiet, low-humidity unit with dual adjustable-position nozzles.

Axle Rear: Special with Pow-Lok differential, assures power flow to non-spinning wheel in mud, sand or on ice.

Brakes: Hydrovac power brake system.

Bodies: TRAVELALL® station wagon, 4 side doors, for 3 to 9 passengers. Standard body with single full-width seat, panel type rear doors. Custom body with second full-width intermediate fold-down seat, tail gate with electrically-controlled roll-down window, deluxe trim features. Third full-width rear seat available for both bodies; intermediate seat and tail gate also optional for Standard body . . . Pickup body, 7 or 8½-ft. inside length, Standard or flush-side Bonus-Load . . . Stake or platform, 8-ft. . . Panel, 7-ft., with 4 side doors, bucket type driver's seat . . . Service-Utility, 79, 89 or 100-in., without or with fully-enclosed cargo area.

Cab: TRAVELETTE®. Four-door, six-passenger, with two full-width seats, increased rear-seat area. Available with 6-ft. Bonus-Load pickup body or 82.5-in. Service-Utility body.

Cab or Body Equipment: Tinted glass. Special rear-view mirrors. Arm rests. Right side sun visor. Cigar lighter. Dome light. Glove compartment lock. Special paint colors . . . Auxiliary seat or full-width seat for panel body.

Chassis Equipment: Chrome front and rear bumpers. Black rear bumper. Chrome hub caps.

Clutch: 10-in. diameter (for BD engine). 12-in. diameter (for V-8 engine).

Electrical System: 60 or 70-amp.-hr. battery. 50-amp. heavy-duty generator. 35 or 50-amp. charge-at-idle generator. 60-amp. AC-DC alternator. Dual stop and

tail lights. Dual electric horns. Front corner and marker lights. Directional signals, Class A, front and rear; hazard switch.

Engine: INTERNATIONAL BD-240, I-block, high-torque, six-cylinder, gasoline, valve-in-head. Bore, 3 $\frac{9}{16}$ in.; stroke, 4.018 in.; displacement, 240 cu. in. Maximum brake horsepower, 140.8 at 3800 r.p.m.; maximum torque, 223.5 lb.-ft. at 2000 r.p.m.

Engine: INTERNATIONAL V-304, Y-block, short-stroke, low-friction, low-stress, eight cylinder, gasoline, valve-in-head. Bore, 3 $\frac{1}{8}$ in.; stroke, 3 $\frac{7}{8}$ in.; displacement, 304 cu. in. Maximum brake horsepower, 193.1 at 4400 r.p.m.; maximum torque, 272.5 lb.-ft. at 2800 r.p.m.

Engine Equipment: High altitude equipment . . . Increased capacity cooling . . . Governor for BD-240 . . . Hand throttle control . . . Heavy-duty air cleaner . . . Positive crankcase ventilator.

Heater and Defroster: Recirculating and fresh air type.

Power Steering: Cylinder, valve, reservoir and pump.

Radio: Semi-transistor, center-mounted on instrument panel, with outside aerial.

Springs: Front, heavy-duty. Rear, heavy duty; leaf type auxiliary.

Tires: Tubeless or tubed, alternate sizes. White side walls. Special treads. Underslung tubular or bar type tire carrier. Tire lock.

Transmission: Heavy-duty 3-speed with floor shift; 4-speed synchromesh.

Transmission, Automatic: Torque converter type. Three speeds forward, one reverse. Gear drive range selector mounted on steering column has Park, Reverse, Neutral, Drive², Drive¹, and Low positions. Eliminates need for clutch and pedal . . . Oil cooling unit.

Specifications subject to change without notice.

INTERNATIONAL HARVESTER COMPANY
180 NORTH MICHIGAN AVE. • CHICAGO 1, ILLINOIS

