

ISUZU

JUST RIGHT



i-370 Crew Cab



Ascender



i-290 Extended Cab



2 0 0 7



i-370 Crew Cab



Ascender

The right fit.

After more than 90 years, you can still search the far corners of the planet and not find a brand more devoted to the pursuit of well-built, reliable and owner-friendly trucks and SUVs. In fact, today's Isuzu lineup is so loaded with sensible features that you won't just find these vehicles capable. You'll find them compatible – ideally suited to the way you live, work and drive.

From the flare of the fenders to the many versatile seating and cargo configurations, your Isuzu vehicle conveys a convincing sense of purpose. An inspired design approach turns dead space into cleverly concealed storage areas and adds a welcomed level of refinement to the spacious, comfortable interiors. Gauges are clear and in easy view. Controls are intuitively positioned. No detail has been overlooked.

ISUZU

ISUZU.COM



I-290 Extended Cab

There's also substance behind the style. Safety and performance features have been tested over time in a real-world proving ground. Engines have been reconfigured for improved power and torque with impressive fuel efficiency. Suspensions have been tuned for improved ride characteristics and optimal hauling capability. And no engineering advancement gets implemented unless it allows us to confidently back every truck and SUV with warranty protection that's among America's very best.

You know what you want most from a truck or SUV. It's called value – that perfect blend of performance, styling, comfort and reliability. And now that you've seen the 2007 Isuzu lineup, you know exactly where to find it.





i-370 C r e w C a b



i-370 L5 4WD Crew Cab in Yellow

Deep down, the i-370 Crew Cab certainly has the bloodlines and rugged ladder-on-frame construction of a serious truck. But one look at its eye-pleasing lines and inviting interior tells another side of the story. This pickup knows how to enjoy life too.

To get you where you're going, the i-370 relies on the new Vortec™ 3700, an even livelier In-line-5 engine than last year's model. It produces 6-cylinder-type outputs (242 hp and 242 lb-ft of torque) with the kind of fuel economy you'll appreciate at the pump. A roomy, well-appointed cab easily handles five adults, while a healthy-sized cargo box accommodates another 37.0 cubic feet* of tools, toys or whatever else you're hauling.

The i-370 also benefits from an assortment of inspired design features like a 60/40 split-bench rear seat that folds flat to stow your gear, a 2-tier tailgate that expands your loading options and push-button, shift-on-the-fly 4-wheel drive that makes the absolute most of this truck's superb ground clearance. Like you, it's ready for anything.

One more reason to smile is the i-370's 7-year/75,000-mile Powertrain Limited Warranty with Roadside Assistance – the longest of any pickup in America. What better way to keep the good times rolling?

*Cargo and payload capacity limited by weight and distribution.

ISUZU
ISUZU.COM



Tire Pressure Monitoring System

This advanced electronic system actively monitors tire pressure, quickly alerting you to any significant pressure drops.

Daytime Running Lights

At ignition, the i-370's daytime running lights automatically activate to raise your visibility in daylight driving conditions.

Bed Tie-Down Hooks

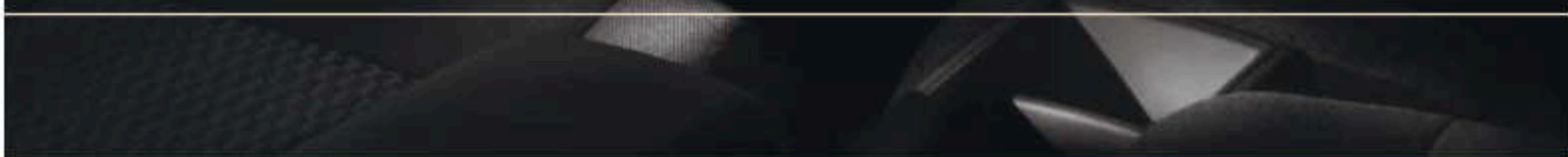
Keeping your load from shifting in transit is a job made easier by sturdy tie-down hooks strategically located throughout the i-370's spacious bed.

Works hard. Plays hard.





i-370 c r e w c a b



Shift-On-The-Fly 4-Wheel Drive

When you need a little extra grip, this convenient push-button system lets you go from 2-wheel to 4-wheel drive on-the-fly.



60/40 Folding Seat

Fold one seat, the other, or both. With 60/40 split-bench rear seating, you'll find an optimal configuration for whichever combination of cargo and passengers you choose.

POWER AND PERFORMANCE

- **Powerful Vortec™ 3700** – 3.7-liter, inline-5 engine that delivers 242 hp and 242 lb-ft of torque.
- **High-stance off-road suspension** that provides a smooth ride and precise control with superior ground clearance.
- **On-demand 4-wheel drive** that delivers superior performance off highway or on slippery roads at the push of a button.
- **Durable underbody skid plates** that protect the oil pan, front differential and transfer case.

SAFETY

- **Driver and front-passenger dual-stage airbags*** that regulate inflation according to impact severity for safer deployment.
- **Automatic airbag suppression system*** that deactivates the front-passenger airbag to help reduce the potential for airbag-related injury.
- **Advanced Tire Pressure Monitoring System** that alerts the driver when any tire becomes significantly under-inflated.
- **Daytime Running Lights** for raised visibility in daytime driving conditions with automatic on/off headlights.

CONVENIENCE AND COMFORT

- **Dual-position locking tailgate** and heavy-duty cargo box with eight tie-down hooks and convenient bed light.
- **Remote keyless entry** and **content anti-theft system** for quick and convenient access with exceptional security.
- **6-speaker audio system** with AM/FM stereo and CD/MP3 player for rich audio entertainment.
- **Power windows, power door locks** and **cruise control** for added driving comfort.

ISUZU



i-370 LS 4WD Crew Cab in Teal Gray Metallic

*Always remember to wear your seatbelt. Airbags are a supplemental restraint system whose effectiveness varies with speed, conditions and angle of impact. See owner's manual for complete details.

High-Stance Off-Road Suspension

For a smooth ride and precise handling even in off-road conditions, the i-370 employs stamped A-arms, front stabilizer and torsion bars, and firm urethane jounce bumpers as part of a durable independent front suspension.



i-290 Extended Cab



i-290 Extended Cab in Deep Crimson Metallic

When it comes to pickup trucks, taking care of the basics is always a good idea. You need durable construction (like a sturdy double-wall pickup box), ample cargo room (44.0 cubic feet* should cover you nicely) and a heavy-duty suspension (like front coil springs and a live rear-axle with 2-stage steel leaf springs for stability and comfort). It's just that the i-290 Extended Cab refuses to stop there.

Its Vortec™ 2900 Inline-4 engine delivers enough smooth power to confidently handle a 1,532-lb. payload* and it provides the kind of fuel efficiency (19/25 mpg¹) that earns it your lasting gratitude between fill-ups.

Spaciousness is another strong suit. The i-290 manages seating for up to five along with a generous 72.8-inch bed that includes a 2-tier tailgate for even greater flexibility in loading oversize items. If you still need more room to operate, the i-290's rear jump seats fold up to reveal handy under-seat storage compartments perfect for stowing small essentials.

The i-290's refusal to skimp is so complete that it comes standard with a 4-wheel Anti-lock Brake System (ABS), an advanced Tire Pressure Monitoring System, Daytime Running Lights and the longest Powertrain Limited Warranty of any pickup sold in America. It's basically everything you need in a midsize truck.

*Cargo and payload capacity limited by weight and distribution.

¹Mileage may vary due to speed, weather, trip length and road conditions. Actual highway mileage will probably be less.

*Always remember to wear your seatbelt. Airbags are a supplemental restraint system whose effectiveness varies with speed, conditions and angle of impact. See owner's manual for complete details.

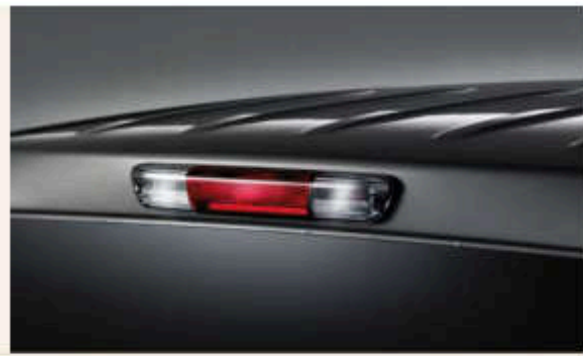
ISUZU

ISUZU.COM



Cargo Box Light

When daylight is scarce, but the job is far from finished, you won't be left in the dark loading or unloading thanks to the cleverly placed cargo box light.



Under-Seat Storage Compartments

These out-of-the-way yet easy-to-access under-seat compartments provide the perfect antidote to cab clutter. Use them to stow all of those items you don't need, until you need them.

More than your basic pickup.

i-290 Extended Cab Feature Highlights

POWER AND PERFORMANCE

- **Powerful Vortec™ 2900** — 2.9-liter In-line-4 engine that delivers 185 hp and 190 lb-ft of torque.
- **Heavy-duty suspension** that provides a comfortable ride with enhanced hauling capacity.
- **Durable double-wall pickup box** that accommodates payloads in excess of 1,500 pounds.
- **Available electronic traction control and automatic locking rear differential** for improved handling in slippery road conditions.

SAFETY

- **Driver and front-passenger dual-stage airbags¹** that regulate inflation according to impact severity for safer deployment.
- **Automatic airbag suppression system²** that deactivates the front-passenger airbag to help reduce the potential for airbag-related injury.
- **Advanced Tire Pressure Monitoring System** that alerts the driver when any tire becomes significantly under-inflated.
- **Daytime Running Lights** for raised visibility in daytime driving conditions with automatic on/off headlights.

CONVENIENCE AND COMFORT

- **Dual-position locking tailgate** and heavy-duty cargo box with six tie-down hooks and convenient bed light.
- **Available auto-dimming rearview mirror** equipped with 8-point compass and outside temperature gauge.
- **6-speaker audio system** with AM/FM stereo and CD/MP3 player for rich audio entertainment.
- **Triple door seals** that help reduce cabin noise, ensuring a more enjoyable driving experience.



2-Tiered Tailgate

If your cargo won't cooperate and can't be secured with the tailgate in the full upright position, use the 2nd-tier locking position to extend the bed those few critical extra inches.

i-290 / i-370 Specifications and Features



| ENGINE | 2.9-LITER INLINE 4-CYLINDER | 3.7-LITER INLINE 5-CYLINDER |
|----------------------|---|----------------------------------|
| Displacement | 2.9 liters | 3.7 liters |
| Configuration | Inline 4-cylinder | Inline 5-cylinder |
| Compression ratio | 10.3:1 | 10.3:1 |
| Horsepower @ rpm | 185 @ 5,600 | 242 @ 5,600 |
| Torque (lb-ft) @ rpm | 190 @ 2,800 | 242 @ 4,600 |
| Fuel intake | Sequential fuel injection | Sequential fuel injection |
| Spark plugs | Platinum-tipped | Platinum-tipped |
| Ignition | Coil-on-plug | Coil-on-plug |
| DRIVETRAIN | i-290 | i-370 |
| Type | Rear-wheel drive | On-demand 4-wheel drive |
| TRANSMISSION | i-290 | i-370 |
| Type | 5-speed manual with overdrive or 4-speed automatic with overdrive | 4-speed automatic with overdrive |

ISUZU
JUST RIGHT

| SUSPENSION | i-290 | |
|------------------------------|--|---------|
| Front | Independent with coil springs, front stabilizer bar, twin-tube shock absorbers and rubber jounce bumpers | |
| Rear | Semi-floating rear axle with 2-stage multi-leaf springs | |
| SUSPENSION | i-370 | |
| Front | Independent with torsion bars, front stabilizer bar, twin-tube shock absorbers and urethane jounce bumpers | |
| Rear | Semi-floating rear axle with 2-stage multi-leaf springs | |
| BRAKES | ALL MODELS | |
| Type | Front ventilated disc/rear drum with 4-wheel ABS | |
| Diameter | | |
| Front | 11.0 in (Disc) | |
| Rear | 11.6 in (Drum) | |
| STEERING | i-290 | i-370 |
| Type | Hydraulically assisted rack-and-pinion power steering | |
| Ratio (1:1) | 18.1 | 19.1 |
| Turns, lock-to-lock | 3.3 | 3.2 |
| Turning circle, curb-to-curb | 44.3 ft | 44.3 ft |

EXTERIOR COLORS AND TRIM



Arctic White



Platinum Silver Metallic



Yellow*



Radiant Red



Deep Crimson Metallic



Teal Gray Metallic



Bering Blue Metallic



Pacific Blue



Copper Orange Metallic†



Onyx Black



Medium Pewter Cloth



Ebony Cloth



Ebony Leather

i-290 / i-370 Specifications and Features



| MECHANICAL/FUNCTIONAL | i-290 | | | i-370 | |
|---|-------|----|--------|-------|---------|
| | S | LS | LUXURY | LS | LIMITED |
| 2.9-liter In-line 4-cylinder | \$ | \$ | \$ | - | - |
| 3.7-liter In-line 5-cylinder | - | - | - | \$ | \$ |
| 5-speed manual transmission with 3.73 rear axle ratio | \$ | \$ | - | - | - |
| 4-speed automatic transmission with 3.73 rear axle ratio | 0 | 0 | \$ | \$ | \$ |
| Front ventilated disc/rear drum brakes | \$ | \$ | \$ | \$ | \$ |
| 4-wheel Anti-lock Brake System (ABS) | \$ | \$ | \$ | \$ | \$ |
| Heavy-duty suspension | \$ | \$ | \$ | - | - |
| High-stance off-road suspension | - | - | - | \$ | \$ |
| Hydraulically assisted rack-and-pinion power steering | \$ | \$ | \$ | \$ | \$ |
| Electronic traction control (2WD models) | - | - | \$ | - | - |
| Transfer case push-button system with 2-speed shift-on-the-fly (4WD models) | - | - | - | \$ | \$ |
| Automatic locking rear differential | - | - | \$ | \$ | \$ |
| Tire Pressure Monitoring System | \$ | \$ | \$ | \$ | \$ |
| EXTERIOR | | | | | |
| Cargo bed tie-down hooks | \$ | \$ | \$ | \$ | \$ |
| Cargo bed light | \$ | \$ | \$ | \$ | \$ |
| Deep-tinted rear windows | PEP | \$ | \$ | \$ | \$ |
| Dual outside mirrors (dark smoke gray), right-side convex | \$ | - | - | - | - |
| Dual power outside mirrors (dark smoke gray), right-side convex | - | \$ | \$ | \$ | \$ |
| Multi-speed variable intermittent windshield wipers | \$ | \$ | \$ | \$ | \$ |
| Daytime Running Lights with automatic on/off headlights | \$ | \$ | \$ | \$ | \$ |
| Fog lights | - | - | \$ | \$ | \$ |
| Skid plate group for oil pan, front differential and transfer case area | - | - | - | \$ | \$ |
| 2-position locking tailgate | \$ | \$ | \$ | \$ | \$ |
| Bodyside molding | - | \$ | \$ | \$ | \$ |
| Front recovery hooks | - | - | - | \$ | \$ |
| 15 x 6.5-inch aluminum-alloy wheels | \$ | \$ | \$ | - | - |
| 15 x 7.0-inch aluminum-alloy wheels | - | - | - | \$ | \$ |
| INTERIOR | | | | | |
| Medium pewter vinyl interior trim | \$ | - | - | - | - |
| Medium pewter cloth interior trim | PEP | - | - | - | - |
| Ebony cloth interior trim | - | \$ | \$ | \$ | - |
| Ebony leather-appointed interior trim | - | - | - | - | \$ |
| 3-passenger 60/40 split-bench front seat with integral outboard head restraints with dual cup holders | \$ | - | - | - | - |
| High-back front bucket seats with integral head restraints, lumbar support, manual recliners and floor-mounted center console with storage and dual cup holders | - | \$ | \$ | \$ | - |
| 8-way power driver and 6-way power front-passenger heated seats with lumbar support | - | - | - | - | \$ |
| Two forward-facing rear jump seats; flat-folding, includes under-seat storage compartment, dual cup holders | PEP | \$ | \$ | - | - |
| Rear bench with outboard head restraints; 60/40 split bench, forward-folding with dual cup holders | - | - | - | \$ | \$ |
| Carpeted floor covering | PEP | \$ | \$ | \$ | \$ |
| Rubberized front and rear floor mats | PEP | \$ | \$ | \$ | \$ |
| Driver and front-passenger airbags* | \$ | \$ | \$ | \$ | \$ |
| Automatic front-passenger airbag suppression system* | \$ | \$ | \$ | \$ | \$ |
| Head-curtain side impact airbags* | - | - | \$ | \$ | \$ |
| Sliding rear window | - | - | \$ | - | \$ |
| Front 3-point seatbelts with shoulder-height adjustments and center front position lap belt* | \$ | - | - | - | - |
| Front 3-point seatbelts with shoulder-height adjustments* | - | \$ | \$ | \$ | \$ |
| Rear 3-point seatbelts* | PEP | \$ | \$ | - | - |

i-290 / i-370 Specifications and Features



INTERIOR (continued)

| | i-290 | | | i-370 | |
|---|-------|----|--------|-------|---------|
| | S | LS | LUXURY | LS | LIMITED |
| Rear 3-point seatbelts and 3-point middle seatbelt* | - | - | - | \$ | \$ |
| Child seat lower- and top- tether anchor brackets (LATCH) | PEP | \$ | \$ | \$ | \$ |
| Power windows with driver 1-touch express-down feature | - | \$ | \$ | \$ | \$ |
| Power door locks | - | \$ | \$ | \$ | \$ |
| Child-safe rear side door locks | - | - | - | \$ | \$ |
| Remote keyless entry/content anti-theft system | - | \$ | \$ | \$ | \$ |
| Anti-theft immobilizer | \$ | \$ | \$ | \$ | \$ |
| Day/night rearview mirror | \$ | \$ | - | \$ | - |
| Day/night auto-dimming rearview mirror with compass and outside temperature gauge | - | - | \$ | - | \$ |
| Tilt steering column | \$ | \$ | \$ | \$ | \$ |
| Leather-wrapped steering wheel | - | - | \$ | \$ | \$ |
| Cruise control | \$ | \$ | \$ | \$ | \$ |
| Instrumentation: speedometer, tachometer, fuel level, coolant temperature gauges, LCD odometer with trip meter and shift position indicator | \$ | \$ | \$ | \$ | \$ |
| Air conditioning with CFC-free refrigerant | \$ | \$ | \$ | \$ | \$ |
| AM/FM stereo | \$ | - | - | - | - |
| AM/FM stereo with CD/MP3 player | PEP | \$ | - | \$ | - |
| AM/FM stereo with 6-disc in-dash CD changer | - | - | \$ | - | \$ |
| 6-speaker audio system | - | \$ | \$ | \$ | \$ |

PACKAGES

PREFERRED EQUIPMENT PACKAGE (Included on i-370): AM/FM stereo with CD/MP3 player, deep-tinted rear windows, carpeted floor covering, rubberized front and rear floor mats, cloth interior trim **i-290 also includes:** Two forward-facing rear jump seats with under-seat storage compartment and dual cup holders

LS EQUIPMENT PACKAGE (requires Preferred Equipment Package on i-290, included on i-370): 6-speaker audio system, high-back front bucket seats with integral head restraints, lumbar support, manual recliners and floor-mounted center console with storage and dual cup holders, remote keyless entry/content anti-theft system, power windows, power door locks, dual power outside mirrors, bodyside molding

LIMITED/LUXURY EQUIPMENT PACKAGES (requires LS and Preferred Equipment Packages): AM/FM stereo with 6-disc in-dash CD changer, day/night auto-dimming rearview mirror with compass and temperature gauge, sliding rear window **i-290 also includes:** Automatic locking rear differential, electronic traction control, head-curtain side impact airbags, leather-wrapped steering wheel, fog lights **i-370 also includes:** Leather-appointed interior trim, 8-way power driver and 6-way power front-passenger heated seats with lumbar support

WHEELS AND TIRES

i-290

| | |
|------------|-----------------------|
| Wheel type | 6-lug aluminum alloy |
| Size | 15 x 6.5 inches |
| Tires | P225/75R15 all-season |
| Spare | Compact |



i-370

| | |
|------------|------------------------|
| Wheel type | 6-lug aluminum alloy |
| Size | 15 x 7.0 inches |
| Tires | P265/75R15 on/off-road |
| Spare | Full-size (P235/75R15) |



MILEAGE ESTIMATES AND FUEL CAPACITY

| | i-290 MANUAL 2WD | i-290 AUTOMATIC 2WD | i-370 AUTOMATIC 4WD |
|--|------------------|---------------------|---------------------|
| Fuel tank | 19.6 gal | 19.6 gal | 19.6 gal |
| Fuel economy (city/highway) ¹ | 19/25 mpg | 17/24 mpg | 16/22 mpg |

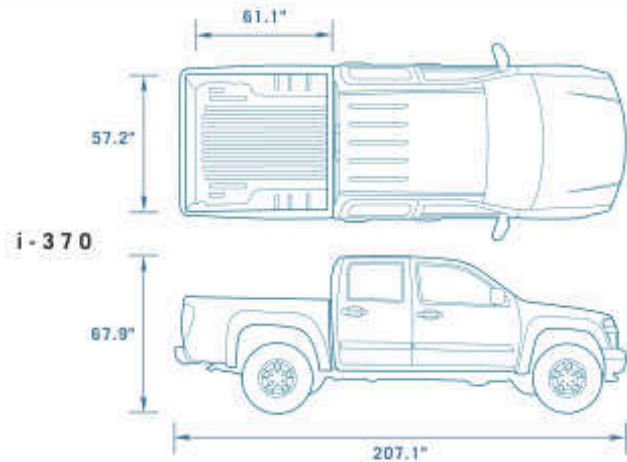
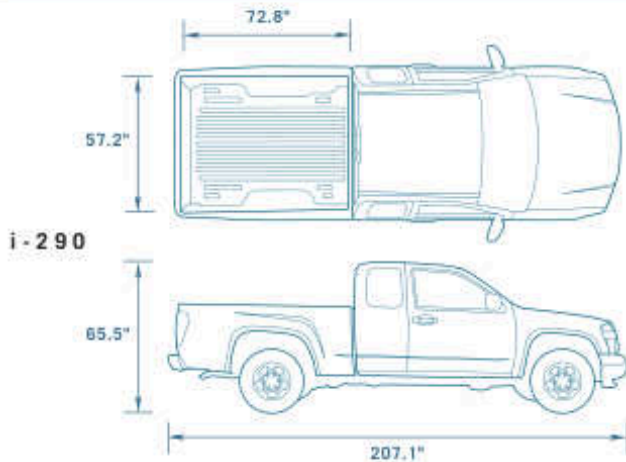
WEIGHT AND CAPACITIES

| | | | |
|---|----------|----------|----------|
| Curb weight | 3,368 lb | 3,506 lb | 4,093 lb |
| Payload ² * | 1,532 lb | 1,532 lb | 1,338 lb |
| Maximum trailer weight ³ | 2,100 lb | 3,100 lb | 4,000 lb |
| Gross Vehicle Weight Rating (GVWR) ⁴ | 5,000 lb | 5,000 lb | 5,300 lb |

i-290 / i-370 Specifications and Features



| EXTERIOR DIMENSIONS | i-290 | i-370 |
|---|--------------|--------------|
| Wheelbase | 126.0 in | 126.0 in |
| Overall length (without rear bumper) | 207.1 in | 207.1 in |
| Overall width | 67.6 in | 68.6 in |
| Overall height | 65.5 in | 67.9 in |
| Cargo box | | |
| Length at floor | 72.8 in | 61.1 in |
| Width at floor | 57.2 in | 57.2 in |
| Width between wheelhousings | 42.6 in | 42.6 in |
| Tailgate width | 52.4 in | 52.4 in |
| Inside height | 18.6 in | 18.6 in |
| Cargo box volume ¹ | 44.0 cu ft | 37.0 cu ft |
| Track, front/rear | 57.5/57.5 in | 59.6/59.8 in |
| Ground clearance, minimum at differential | 7.9 in | 8.7 in |



| INTERIOR DIMENSIONS | FRONT | REAR |
|---------------------|---------|---------|
| i-290 | | |
| Headroom | 39.6 in | 37.9 in |
| Leg room | 42.2 in | 23.1 in |
| Hip room | 53.3 in | 57.6 in |
| Shoulder room | 57.1 in | 57.2 in |
| i-370 | | |
| Headroom | 39.6 in | 38.3 in |
| Leg room | 42.2 in | 34.8 in |
| Hip room | 53.3 in | 52.9 in |
| Shoulder room | 57.1 in | 57.1 in |

| LEGEND AND FOOTNOTES | |
|-----------------------------------|-------------------|
| S = STANDARD | D = OPTIONAL |
| PEP = PREFERRED EQUIPMENT PACKAGE | - = NOT AVAILABLE |

- ¹ Available at extra charge.
- ² Available on i-290 models only.
- ³ Always remember to wear your seatbelt. Airbags are a supplemental restraint system whose effectiveness varies with speed, conditions and angle of impact. See owner's manual for complete details.
- ⁴ 3-point outboard passenger's seatbelts include Automatic Locking Retractors.
- ⁵ Mileage may vary due to speed, weather, trip length and road conditions. Actual highway mileage will probably be less.
- ⁶ Includes driver, passengers and all possible equipment and options.
- ⁷ Cargo and payload capacity limited by weight and distribution.
- ⁸ Towing capacity assumes driver, one passenger and required trailer equipment. Subtract weight of additional passengers, equipment and cargo for final towing capacity. Refer to owner's manual for correct towing application.
- ⁹ When properly equipped, includes weight of vehicle, passengers, cargo and equipment.



Ascender



Ascender with Luxury Package in Currant Red Metallic

Scan the list of standard and available features and the 2007 Ascender reveals itself as the total package – a multi-talented go-getter available in 2-wheel or 4-wheel drive with 80.1 cubic feet* of cargo space, room for five adults and a decidedly modest asking price. It's as fine a resume as you'll find anywhere in the SUV world.

Take its award-winning engine¹, a 4.2-liter DOHC Inline-6 that produces 291 hp and 277 lb-ft of wheel-churning torque. It satisfies your appetite for power, while keeping fuel expenses in check. And to help you negotiate life's many obstacles, Ascender's StabiliTrak[®] combines anti-lock brakes, traction control and stability

control into one highly advanced system. No more spinning your wheels to get ahead. Other standard safety features like dual-stage airbags² and an advanced Tire Pressure Monitoring System stand ready to assist you at a moment's notice.

If extra perks get you excited, Ascender offers three separate option packages that include features like 8-way adjustable power driver and front-passenger seats, a premium Bose[®] 6-speaker audio system, and a remote keyless entry anti-theft system. Besides adding just the right level of capability, convenience and luxury, these special packages help keep your costs low and your value high. And don't forget the biggest perk of all – the outstanding Isuzu warranty.

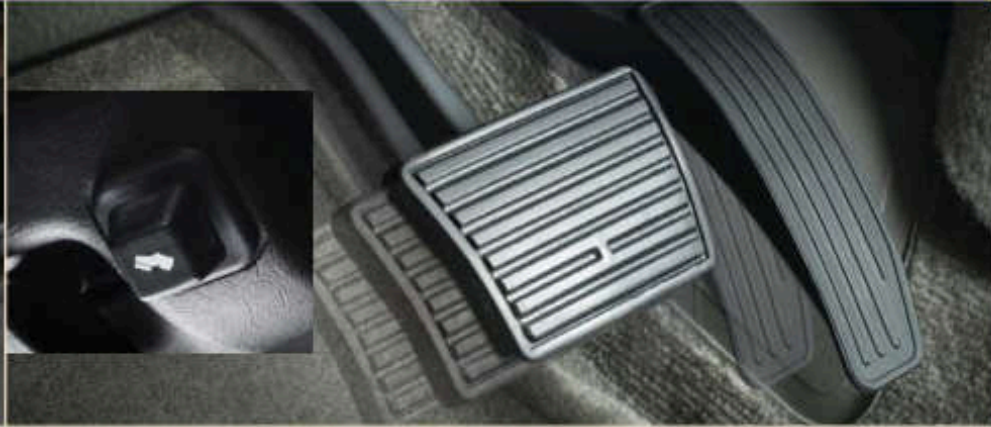
¹Cargo and payload capacity limited by weight and distribution.

²2005 Ward's 10 Best Engines Award

³Always remember to wear your seatbelt. Airbags are a supplemental restraint system whose effectiveness varies with speed, conditions and angle of impact. See owner's manual for complete details.

ISUZU

ISUZU.COM



3-Channel 4-Wheel Anti-Lock Brake System

Ascender's 3-channel 4-wheel Anti-lock Brake System improves steering control and helps prevent wheels from locking up in extreme braking or slippery conditions. It's one important component in Ascender's advanced stability control system, StabiliTrak,[®] and is standard equipment.

Driver-Adjustable Pedals

By allowing the driver to adjust the proximity of the accelerator and brake pedals with the simple push of a button, this optional feature creates a more comfortable and secure seating position that helps reduce fatigue and improve driver control.

The SUV that gets down to business.



Ascender with Luxury Package in Mineral Silver Metallic



Ascender



Auto-Dimming Rearview Mirror

Reducing the glare of bright headlights has never been easier thanks to an auto-dimming rearview mirror that features an 8-point compass and outside temperature gauge.



Heated Seats

Keep cozy with Ascender's dual-setting driver and front-passenger heated seats. They quickly spread warmth and comfort evenly across the backrest and seat surface.

POWER AND PERFORMANCE

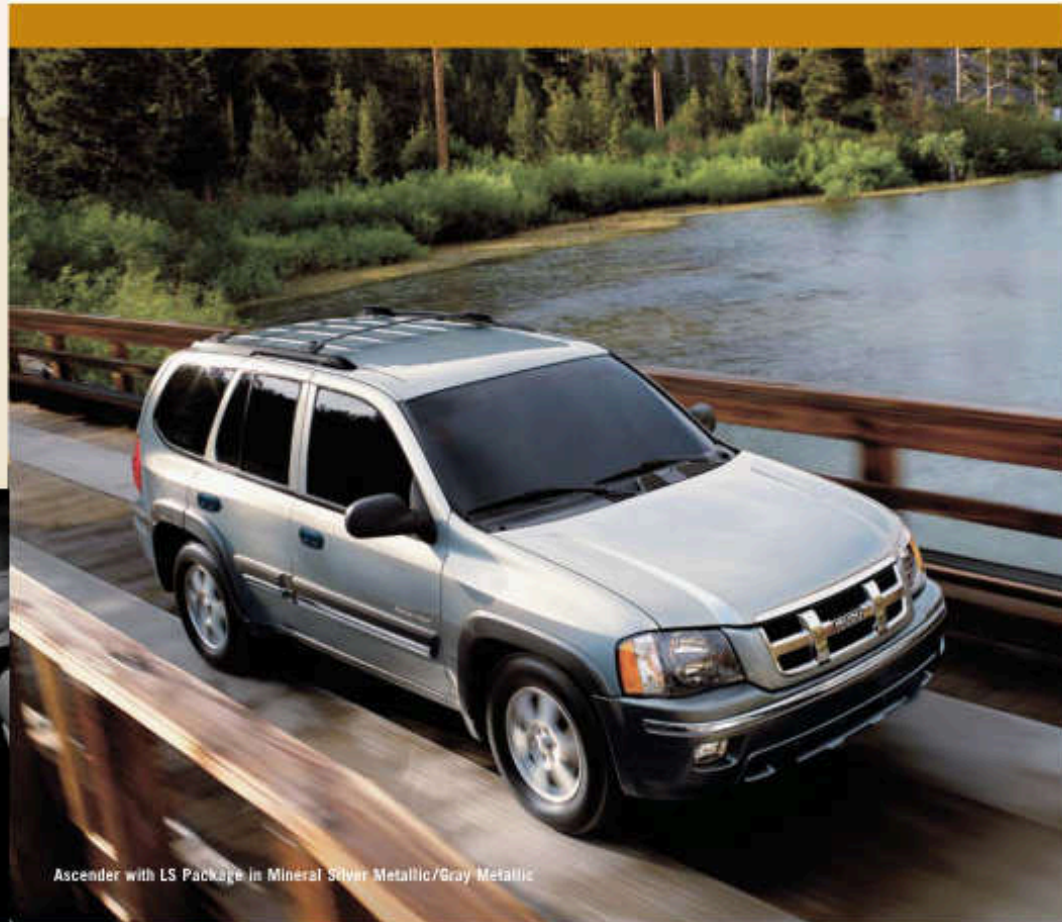
- **Award-winning engine*** – a 4.2-liter DOHC Inline-6 that delivers 291 hp and 277 lb-ft of torque.
- **Tow-ready** for up to 5,800 pounds¹ with a receiver hitch and trailer wiring that comes standard.
- **Rigid chassis** with body-on-frame construction and full-length hydroformed side rails.
- **On-demand 4-wheel drive** that delivers superior performance off highway or on slippery roads.

SAFETY

- **StabiliTrak® electronic stability control** for maintaining directional command in uncertain driving conditions.
- **Driver and front-passenger dual-stage airbags^{††}** that regulate inflation according to impact severity for safer deployment.
- **Automatic airbag suppression system^{††}** that deactivates the front-passenger airbag to help reduce the potential for airbag-related injury.
- **Advanced Tire Pressure Monitoring System** that alerts the driver when any tire becomes significantly under-inflated.

CONVENIENCE AND COMFORT

- **Remote keyless entry and content anti-theft system** for quick and convenient access with exceptional security.
- **Triple door seals** that help ensure a quieter ride by blocking outside road noises from entering the cockpit.
- **Available 8-way power front seats** with lumbar support and dual-setting seat heaters.
- **Available premium 6-speaker Bose® audio system or XM Satellite Radio®** featuring more than 170 channels.



Ascender with LS Package in Mineral Silver Metallic/Gray Metallic



Room For Five Adults

Ascender's spacious, refined interior provides plenty of everything – leg room and headroom for passengers, cargo space for your gear, an intuitive center console within easy reach and a variety of conveniences like well-placed cup holders and stow spaces that help put items in their proper place.

*2005 Ward's 10 Best Engines Award
Refer to owner's manual for correct towing application.
†Always remember to wear your seatbelt. Airbags are a supplemental restraint system whose effectiveness varies with speed, conditions and angle of impact. See owner's manual for complete details.

Ascender Specifications and Features



ENGINE

4.2-LITER INLINE 6-CYLINDER

| | |
|----------------------|---------------------------------------|
| Displacement | 4.2 liters |
| Configuration | Inline 6-cylinder |
| Compression ratio | 10.3:1 |
| Horsepower @ rpm | 291 @ 5,000 |
| Torque (lb-ft) @ rpm | 277 @ 4,800 |
| Fuel intake | Sequential multi-point fuel injection |
| Spark plugs | Platinum-tipped |
| Ignition | Coil-on-plug |

DRIVETRAIN

| | |
|------|--|
| Type | Front-engine/rear-wheel drive or 4-wheel drive |
|------|--|

TRANSMISSION

| | |
|------|--|
| Type | 4-speed automatic with lockup torque converter (in 3rd or 4th gears) and overdrive |
|------|--|

ISUZU
JUST RIGHT

SUSPENSION

| | |
|-------|---|
| Front | Independent coil-over-shock with upper and lower control arms and hydraulic double-acting shock absorbers |
| Rear | 5-link with coil springs and direct hydraulic double-acting shock absorbers |

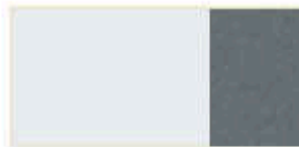
BRAKES

| | |
|----------|--|
| Type | 4-wheel ventilated disc brakes with dual-piston front calipers and 4-wheel ABS |
| Diameter | |
| Front | 12.0 in |
| Rear | 12.8 in |

STEERING

| | |
|------------------------------|---|
| Type | Hydraulically assisted rack-and-pinion power steering |
| Ratio (:1) | 20.4 |
| Turns, lock-to-lock | 3.82 |
| Turning circle, curb-to-curb | 36.4 ft |

EXTERIOR COLORS AND TRIM



Arctic White/Gray Metallic



Bering Blue Metallic/Gray Metallic



Onyx Black/Gray Metallic



Mineral Silver Metallic/Gray Metallic



Storm Gray Metallic/Gray Metallic



Currant Red Metallic/
Dark Bronzest Metallic



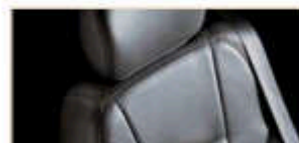
Natural Suede Metallic/
Dark Bronzest Metallic



Light Gray
Moquette Cloth



Cashmere
Moquette Cloth



Light Gray
Leather



Cashmere
Leather

Ascender Specifications and Features



MECHANICAL/FUNCTIONAL

| | S | LS | LUXURY |
|---|---|----|--------|
| 4.2-liter DOHC 24-valve In-line 6-cylinder engine | S | S | S |
| 4-speed automatic transmission | S | S | S |
| Power-assisted 4-wheel ventilated disc brakes | S | S | S |
| 3-channel 4-wheel Anti-lock Brake System (ABS) | S | S | S |
| Hydraulically assisted rack-and-pinion power steering | S | S | S |
| StabiliTrak® electronic stability control | S | S | S |
| Part-time 4-wheel drive with 2-speed transfer case (4WD models) | S | S | S |
| Electronic shift-on-the-fly 4-wheel drive (4WD models) | S | S | S |
| Limited-slip rear differential | - | S | S |
| 3.42 axle ratio | S | S | - |
| 3.73 axle ratio | - | O | S |
| Tire Pressure Monitoring System | S | S | S |

EXTERIOR

| | S | LS | LUXURY |
|--|-----|----|--------|
| Daytime Running Lights with automatic on/off clear lens halogen headlights | S | S | S |
| Dual outside mirrors (black) | S | - | - |
| Dual power outside mirrors (black) | PEP | - | - |
| Dual power outside mirrors (black) with defroster | - | S | S |
| Multi-speed variable intermittent windshield wipers | S | S | S |
| Rear intermittent window wiper/washer | S | S | S |
| Rear window defroster with auto-cancel timer | S | S | S |
| Privacy glass | PEP | S | S |
| Power moonroof with sunshade | - | S | S |
| Fog lights | S | S | S |
| Platform-type trailer hitch | S | S | S |
| Roof rail crossbars | O | S | S |
| Bodyside molding with chrome insert | PEP | S | S |
| 17-inch machined-finish aluminum-alloy wheels | S | S | S |
| On-/off-road tires | S | S | S |

INTERIOR

| | S | LS | LUXURY |
|---|-----|----|--------|
| Moquette cloth interior trim | S | S | - |
| Leather-appointed interior trim | - | O | S |
| Carpeted floor mats | PEP | S | S |
| Manual driver and front-passenger seats | S | - | - |
| 8-way power driver seat with lumbar support | PEP | S | - |
| 8-way power driver and front-passenger seats with lumbar support | - | O | S |
| Driver and front-passenger heated seats | - | - | S |
| Memory driver convenience package | - | - | S |
| Height-adjustable front headrests | S | S | S |
| 2nd-row 65/35 split folding rear bench seat | S | S | S |
| Driver and front-passenger airbags | S | S | S |
| Automatic front-passenger airbag suppression system ¹ | S | S | S |
| Head-curtain side impact airbags ² | O | O | S |
| Front 3-point seatbelts with shoulder-height adjustment ³ | S | S | S |
| Rear 3-point seatbelts with shoulder-height adjustment in outboard positions and 3-point middle seatbelt ⁴ | S | S | S |
| Child seat lower- and top-tether anchor brackets (LATCH) | S | S | S |

Ascender Specifications and Features



| INTERIOR (continued) | S | LS | LUXURY |
|---|-----|----|--------|
| Power windows with driver and front-passenger 1-touch express-down feature | S | S | S |
| Power door locks | S | S | S |
| Child-safe rear side door locks | S | S | S |
| Remote keyless entry/content anti-theft system | PEP | S | S |
| Anti-theft immobilizer | S | S | S |
| Day/night rearview mirror | S | S | - |
| Day/night auto-dimming rearview mirror with compass and outside temperature gauge | - | - | S |
| Sunvisors with illuminated vanity mirror | PEP | S | S |
| Overhead console | PEP | S | S |
| Tilt steering column | S | S | S |
| Leather-wrapped steering wheel | - | S | S |
| Cruise control | PEP | S | S |
| Driver-adjustable pedals | - | - | S |
| Floor-mounted parking brake lever | S | S | S |
| Universal Home Remote System | PEP | S | S |
| Air conditioning with CFC-free refrigerant | S | S | S |
| Manual dual-zone climate control with rear switch | S | S | S |
| Rear-seat auxiliary power outlet | S | S | S |
| AM/FM stereo and CD player with six speakers | S | - | - |
| AM/FM stereo and 6-disc in-dash CD changer with six speakers | - | S | S |
| XM Satellite Radio* | - | O | O |
| Premium Bose® audio system with six Bose® speakers | - | - | S |
| Underfloor storage compartment in cargo area | S | S | S |
| Cargo cover | PEP | S | S |

PACKAGES

PREFERRED EQUIPMENT PACKAGE: Dual power outside mirrors, sunvisors with illuminated vanity mirror, overhead console, Universal Home Remote System, bodyside molding with chrome insert, 8-way power driver seat with lumbar support, remote keyless entry/content anti-theft system, carpeted floor mats, cruise control, cargo cover, privacy glass

LS EQUIPMENT PACKAGE (requires Preferred Equipment Package): Power moonroof with sunshade, dual power outside mirrors with defroster, limited-slip rear differential, AM/FM stereo and 6-disc in-dash CD changer with six speakers, roof-rail crossbars, leather-wrapped steering wheel

LEATHER PACKAGE (requires LS and Preferred Equipment Packages): Leather-appointed interior trim, 8-way power driver and front-passenger seats with lumbar support

LUXURY EQUIPMENT PACKAGE (requires LS and Preferred Equipment Packages): Head-curtain side impact airbags, driver-adjustable pedals, premium Bose® audio system with six Bose® speakers, memory driver convenience package, leather-appointed interior trim, 8-way power driver and front-passenger heated seats with lumbar support, monotone paint, 3.73 axle ratio, day/night auto-dimming rearview mirror with compass and outside temperature gauge

WHEELS AND TIRES

| | |
|------------|--------------------------------------|
| Wheel type | 6-lug machined-finish aluminum alloy |
| Size | 17 x 7.0 inches |
| Tires | P245/65R17 on-/off-road |
| Spare | P235/75R16 tire with steel wheel |



MILEAGE ESTIMATES AND FUEL CAPACITY

| | |
|------------------------------|-----------|
| Fuel tank | 21.7 gal |
| Fuel economy (city/highway)* | |
| Automatic 2WD | 16/22 mpg |
| Automatic 4WD | 15/21 mpg |

Ascender Specifications and Features

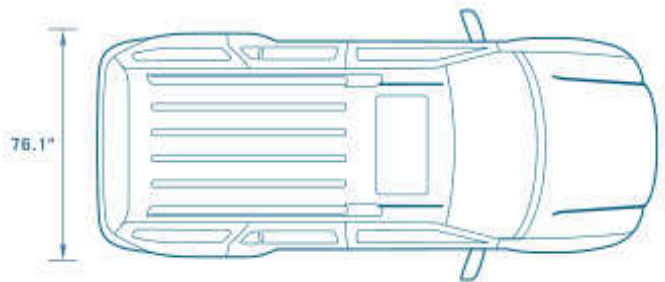
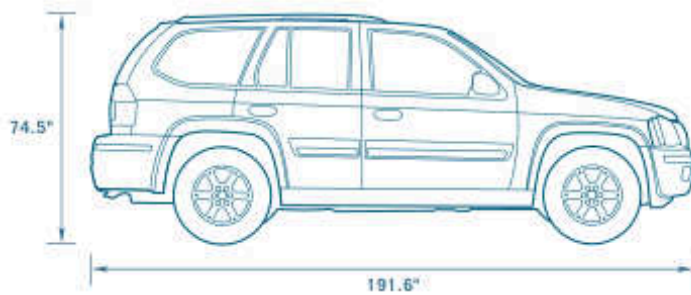


WEIGHT AND CAPACITIES

| | |
|---|--|
| Curb weight, 2WD/4WD | 4,417/4,594 lb |
| Payload: ¹ 2WD/4WD | 1,133/1,156 lb |
| Maximum towing capacity ² with trailer brakes, 2WD/4WD | 5,300/5,200 lb (3.42 axle) 5,800/5,700 lb (3.73 axle) |
| Gross Combination Weight Rating (GCWR) ³ | 10,000 lb (3.42 axle) 10,500 lb (3.73 axle) |

EXTERIOR DIMENSIONS

| | |
|---|--------------|
| Wheelbase | 113.0 in |
| Overall length | 191.6 in |
| Overall width | 76.1 in |
| Overall height, with roof rails | 74.5 in |
| Track, front/rear | 63.1/62.1 in |
| Ground clearance, minimum at differential | 8.0 in |
| Angle of approach | 29° |
| Angle of departure, undermount spare | 23° |
| Ramp breakover angle, 2WD/4WD | 18.8°/18.6° |



INTERIOR DIMENSIONS

| | 1ST ROW | 2ND ROW |
|---|------------|------------|
| Headroom, without moonroof | 40.2 in | 39.6 in |
| Leg room | 41.4 in | 37.0 in |
| Hip room | 55.5 in | 58.1 in |
| Shoulder room | 58.5 in | 58.4 in |
| Cargo volume ⁴ behind each row | 80.1 cu ft | 43.7 cu ft |
| Cargo floor length, behind each row | 70.0 in | 39.7 in |

LEGEND AND FOOTNOTES

| | |
|-----------------------------------|-------------------|
| S = STANDARD | O = OPTIONAL |
| PEP = PREFERRED EQUIPMENT PACKAGE | - = NOT AVAILABLE |

¹ Always remember to wear your seatbelt. Airbags are a supplemental restraint system whose effectiveness varies with speed, conditions and angle of impact. See owner's manual for complete details.

² 3-point outboard passengers' seatbelts include Automatic Locking Retractors.

³ Mileage may vary due to speed, weather, trip length and road conditions. Actual highway mileage will probably be less.

⁴ Includes driver, passengers and all possible equipment and options.

⁵ Cargo and payload capacity limited by weight and distribution.

⁶ Towing capacity assumes driver, one passenger and required trailering equipment. Subtract weight of additional passengers, equipment and cargo for final towing capacity. Refer to owner's manual for correct towing application.

⁷ It's the total allowable weight of the completely loaded vehicle and trailer including any passengers, cargo, equipment and concession.



Tonneau Cover

You don't have to be carrying gold bricks for prying eyes to want a peek at what you've got on board. Show them what they deserve – nothing!



Hood Protector

Countless pebbles are vying to be the first to chip your new Ascender. Are you going to take that? Show them who's the boss with this durable shield.



Cargo Tray

Keep your carpet as clean as the day you bought it with this durable tray. Once it's in place, the cargo area is ready for anything.

Ascender Accessories

Now is the time to make your new Ascender all you want it to be, so you have everything you need every step of the way. You know our accessories will fit perfectly for flawless integration to keep your rig looking sharp.

Ashtray Package
Cargo Tray
Front and Rear Door Visors
Hitch-Mounted Bike Carrier
Hood Protector

Moonroof Visor
Nose Mask
Rear Seat Protector
Roof Rack with Ski/
Snowboard Attachments

Running Boards
Splash Guards
Tonneau Cover
Trailer Hitch Accessory Kit
Wheel Locks



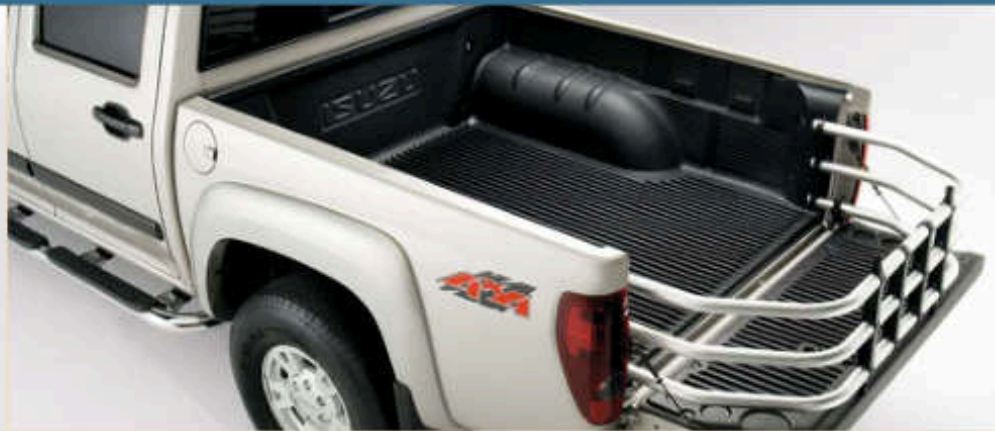
Running Boards

Whether you're securing items to the roof or someone needs a leg-up to hop in, running boards are a step in the right direction.



Hitch-Mounted Bike Carrier

Bikes are a handful to load onto a roof-mounted carrier. This hitch-mounted accessory provides a much more manageable loading height.



Splash Guards

Protect your vehicle from mud, gravel, salt and more with these attractive, molded guards that won't chip, crack or tear.

Bed Liner

The nylon-reinforced rubber on this liner includes a non-skid surface to help prevent cargo movement and is designed to withstand extreme temperatures.

Bed Extender

Stretch your ability to haul oversized cargo loads with this handsome brushed-aluminum bed extender.

i-290/i-370 Accessories

Your Isuzu truck won't shy away from the tough jobs. But to make it work even harder at delivering the capability and styling that's right for you, be sure to add on the accessories that make it the pickup you've always wanted.

Ashtray Package
Bed Extender
Bed Liner
Bed Rail Protectors
Bed Web Net

Block Heater
Block Heater Harness
Front Door Visors
Hood Protector
Nose Mask

Side Steps
Splash Guards
Trailer Hitch
Wheel Locks



Side Steps

It's easy-come, easy-go with these great-looking assist steps that make our Extended Cab and Crew Cab pickups even more passenger-friendly.



Trailer Hitch

Make towing your favorite toys easy with this convenient and durable trailer hitch.

Isuzu's warranties

We stand behind every vehicle we sell with some of the best warranties in the business. Our 7-YEAR/75,000-MILE POWERTRAIN LIMITED WARRANTY covers the most expensive and essential parts against defects. Then, throughout the vehicle, you have the protection of our 3-YEAR/ 50,000-MILE BASIC LIMITED WARRANTY, which covers you for its full term with no deductible. On top of that, every 2007 Isuzu vehicle is covered by a 6-YEAR/100,000-MILE PERFORATION FROM CORROSION LIMITED WARRANTY to ensure that your vehicle's exterior will survive everything from scouring road salts to blistering desert heat. Finally, lasting the duration of the POWERTRAIN LIMITED WARRANTY, we offer 7-YEAR/75,000-MILE

ISUZU

ASSISTANCE. Just call 1-800-444-0303 and we'll be there, ASAP. Some in our business would call this overkill. We prefer to call it the right level of protection for an investment this important. See your Authorized Isuzu Dealer for warranty and other details.



The perfect plan

The Isuzu Protection Plan extended service contract provides coverage well beyond our 3-year/ 50,000-mile Basic Limited Warranty. It's perfect when you want the added peace of mind that comes with additional coverage of up to 100,000 miles good nationwide at any authorized Isuzu dealer. For plan details, call 1-800-343-0305.

A price that's "just right"

How low is low enough? Find out for yourself. Go to Isuzu.com and request a dealer price quote on an Isuzu Ascender or Isuzu midsize pickup. Your local Isuzu dealer will take it from there, providing a prompt and professional reply with an eye toward putting you behind the wheel. Don't settle for a vehicle that can't match the exceptional value of the 2007 Isuzu lineup. Request your dealer quote today!

GET A QUOTE
Log on to ISUZU.com



All photographs, illustrations, equipment and technical data shown in this brochure are based upon the latest information available at the time of publication. Isuzu Motors America, Inc. reserves the right to make changes at any time, without notice, in prices, colors, materials, equipment, specifications and models, and to discontinue models or equipment. Some vehicles are shown with optional equipment. Some equipment is dealer-installed. These Isuzu vehicles are assembled by an independent manufacturer to meet Isuzu's exacting standards for quality, performance and safety. Powertrain Limited Warranty excludes business or fleet vehicles and is transferable to immediate family members only. See your Authorized Isuzu Dealer for warranty and other details. Bose® is a registered trademark of Bose Corporation. XM Satellite Radio® is a registered trademark of XM Satellite Radio, Inc. Vortec™ is a trademark and StabiliTrak® is a registered trademark of General Motors Corporation. Ascender is a registered trademark of Isuzu Motors Limited. I-290 and I-370 are trademarks of Isuzu Motors America, Inc. © 2006 Isuzu Motors America, Inc. Item #2007D