



2016



GLA



Mercedes-Benz

COMPACT, IN AN EPIC WAY

*HOW CAN AN SUV WITH A SMALL FOOTPRINT MAKE SUCH A HUGE IMPRESSION?
LIKE EVERY MERCEDES-BENZ, THE GLA IS MEASURED BY THE SIZE OF ITS IDEAS.*



CONTEMPORARY SIZE, LEGENDARY DEPTH

Even if it has a compact footprint, a Mercedes-Benz SUV still has some mighty shoes to fill. With a family portrait that includes the iconic G-Class, beloved sports cars and revered luxury cars, it has to overachieve at home—not just against its competition. Imaginative design, innovative engineering and inspiring performance are what make the Star in its grille shine. They're the reason driving a GLA is at once exuberant and eco-conscious. And it's why its cabin is so stylish, satisfying and surprisingly spacious. The GLA wasn't created by subtracting, but by making every part add up to a Mercedes-Benz.



BEEN THERE, SO YOU CAN DO THAT

*OVER 1,100,000 MILES OF RIGOROUS CROSS-TRAINING HAS MADE SURE THE
MUSCULAR SHAPE OF THE GLA REFLECTS THE ATHLETIC SHAPE IT'S IN.*



APTITUDE LEARNED, ATTITUDE EARNED

Whenever you admire the chiseled lines and taut curves of the GLA's body, you're also expressing your appreciation for the muscle within. A Mercedes-Benz SUV doesn't just spring to life from a clay model.

The GLA was raised in wind tunnels, crash halls and test tracks. It endured 288 laps of the Nürburgring, 450 Alpine corners, and 1,000 miles at a test site for tanks. Every detail was finessed to enhance roadholding, comfort, durability, and even visibility—all to make the GLA strong, nimble and fun. And to make sure its 18" to 20" wheels,¹ power-dome hood and flared fenders are not just for show, but for go.



TAILORED TO FIT YOUR LIFE

THE GLA CABIN PAIRS THE ELEGANCE OF A WELL-CUT SUIT WITH THE EASINESS OF YOUR FAVORITE WEEKEND WEAR. FLEXIBLY DESIGNED AND FINELY CRAFTED, IT'S A PERFECT FIT FOR ANY OCCASION.





SPORT THAT TRANSPORTS

With deep contours, power adjustment, plus a 4-way adjustable steering column, you're sure to feel in command from the GLA driver seat. A 3-position memory makes it easy to recall a favorite setup later. Along with new adjustable cushion length for added thigh support, both front seats also feature 4-way power lumbar support. Serious driving enthusiasts will enjoy the sport front seats of the Interior Package. Their deeper side bolsters and integrated head restraints are directly inspired by Mercedes-Benz racecars. And for flexible space for people and cargo, the rear seats fold in a 60/40 split.²

FORM THAT TRANSFORMS

The flexible GLA can carry five in comfort or become a sporty two-seater with a giant trunk in seconds. In every configuration, the driver is treated to crisp gauges, vivid color displays and intuitive controls. Satin metallic accents detail the winglike dash, which can be inlaid with sleek Anthracite trim, brushed aluminum, or hand-finished wood in high-gloss Burl Walnut or low-sheen Satin Light Brown Poplar. The standard MB-Tex upholstery combines the look of leather with easy care and enduring suppleness. The Interior Package lets you luxuriate in rich, hand-fitted leather, while elegant topstitching outlines the upholstered upper dash. What's concealed underneath the surfaces is equally comforting: Steam-expanded foams—a process pioneered by Mercedes-Benz—eliminate harsh chemicals, while products from flax, coconut and olives sustainably support numerous cabin elements.

MAKES PROGRESS, AND MAKES IT FUN

AN AGILE SUV? THAT'S A REFRESHING CHANGE OF PACE. WITH ADVANCED PERFORMANCE TECHNOLOGY, THE GLA ALSO SETS THE PACE OF CHANGE.



SOMETHING NEW EVERY MILLISECOND

With nearly 90,000 patents, including one for the automobile itself, Mercedes-Benz has quite a track record of performance innovations. It also has quite a few track records. That's why a GLA 250 responds not just quickly but instinctively. Its turbo spools up to 150,000 rpm, to thrust you from 0 to 60 mph in 7.2 seconds.³ Its Direct Injection and multispark ignition can fine-tune themselves in a millisecond. Its dual-clutch 7-speed automatic can shift faster than a human. And its available 4MATIC[®] all-wheel drive⁴ varies the torque sent to each wheel in real time, and—like everything else it does—progressively.



THE MOST FORMIDABLE FOUR

THE RACERS AT MERCEDES-AMG HAVE BEEN RAISING THOROUGHBREDS FOR DECADES. AFTER CREATING THE MOST POWERFUL 4-CYLINDER IN PRODUCTION, WHAT COMES NEXT? RAISING MORE HORSES. BEHOLD THE 375-HP AMG GLA 45.



"One man, one engine" is more than a motto for AMG. It's a guiding philosophy and a process rooted in racing, where precision and endurance are proven in record time. The heart of a Mercedes-AMG GLA 45 is its turbocharged 4-cylinder engine. Each one is crafted by the hands of its own "master," an expert who visually inspects and records every component, and computer-verifies each torque spec. Only after the engine is individually bench-tested does it earn its master's signature, on a metal plaque the builder affixes to its cover. This degree of detail-obsession is evident throughout the vehicle—from its mighty brake hardware, to its expanded range of DYNAMIC SELECT driving modes, to its performance-focused cockpit.

The handcrafted 2.0-liter turbo-4 of the GLA 45 is a rousing symphony of superlatives: The most powerful 4-cylinder in production, it grows even stronger for 2016, to 375 hp and 350 lb-ft of torque. Its twin-scroll turbo quickly spools up to 165,000 rpm to produce class-leading boost—26.1 psi max—and the industry's highest hp/liter. With torque-vectoring AMG Performance 4MATIC® and a more aggressively geared AMG SPEEDSHIFT® DCT 7-speed, it can catapult to 60 mph in 4.3 seconds.³ And beyond its standard AMG chassis and 19" AMG® wheels,⁴ its performance options include a new AMG DYNAMIC PLUS Package: two-stage damping, limited-slip front differential, a RACE mode, and 167-mph top speed.⁵



AMG

DRIVING PERFORMANCE



A SAFE DISTANCE AHEAD

WHEN SECONDS MATTER MOST, SO DO FIRSTS. IT'S WHY MERCEDES-BENZ ENGINEERS KEEP THINKING UP WAYS TO MAKE EVERY CAR AND SUV SAFER.

Every effort of Mercedes-Benz safety engineers goes toward a singular goal: accident-free driving. They're also keenly aware that achieving this goal only for the vehicles they design would be pointless. The roads can only be safe for someone when they're safe for everyone. The 1951 patent for the first crumple zone is one of more than 88,000 that Mercedes-Benz has earned in the past 130 years. Energy-absorbing front and rear deformation zones flank a reinforced "safety cell" for the passengers. But the idea did more than better protect the occupants of a Mercedes-Benz. It eventually became the way all automobiles are made, thereby helping protect everyone on the road better. Over the decades, countless breakthroughs that were

pioneered under the Three-Pointed Star have gone on to become the safety standards for all automobiles—like the Antilock Braking System (ABS), the Electronic Stability Program (ESP®), emergency-sensing Brake Assist (BAS®), seat-belt Emergency Tensioning Devices (ETDs), and side curtain air bags. Mercedes-Benz also introduced most of these to SUVs, too—along with the 4-wheel Electronic Traction System (4-ETS®). True, you can expect to see some of the groundbreaking advancements of today's Mercedes-Benz on other cars and SUVs a few years down the road. That said, sometimes the future is only a few milliseconds in front of you. And nobody prepares you for it like the engineers who've spent decades thinking about it.





COLLISION PREVENTION ASSIST PLUS

Radar-based technology alerts you if you're following a vehicle too quickly or too closely. As soon as you start to brake, Adaptive Brake Assist automatically adjusts the braking to an ideal level, to help prevent a collision or reduce its severity. The system can apply the brakes autonomously from speeds up to 65 mph. It can also activate PRE-SAFE,[®] the predictive system that can tighten the front seat belts and close the windows in the moments before a collision.¹

ATTENTION ASSIST

By continuously monitoring as many as 70 parameters of driving behavior, ATTENTION ASSIST[®] can alert you both visually and audibly if it detects signs of driver-drowsiness on long trips. Its enhanced sensitivity helps the system detect drivers who begin their trip drowsy. A display in the gauge cluster can help you track your own attention level and driving time along your journey.²

BLIND SPOT ASSIST AND LANE KEEPING ASSIST

When you're driving at speeds above approximately 20 mph, optional radar technology helps sense when a vehicle enters the blind-spot area on either side of your vehicle, and alerts you by illuminating an icon in the side mirror.³ By monitoring visible road markings when you're driving faster than 37 mph, optional Lane Keeping Assist helps detect unintended drifting off-course. If it senses lane drift, the system alerts you by vibrating the steering wheel.⁴

4MATIC ALL-WHEEL DRIVE

In any season, on any road, available 4MATIC[®] all-wheel drive adds confidence and control. Lightweight and nimble, this advanced generation of variable-torque 4MATIC was engineered especially for the GLA. It continually monitors for slippage at each wheel, and can instantly send up to 50% of the engine's torque to the rear wheels in response to varying road and driving conditions.⁵

REVEALS WHAT'S NEXT

THE GLA IS EQUIPPED WITH SAFETY INNOVATIONS YOU MIGHT NOT SEE ON OTHER CARS FOR YEARS. BUT WHY WAIT? USING RADAR AND OTHER ADVANCED SENSORS, YOUR GLA CAN ALSO KEEP AN EYE ON YOUR IMMEDIATE FUTURE, TO HELP YOU GET OUT OF DANGER BEFORE YOU'RE IN IT.

EMERGENCY-SENSING BRAKE ASSIST

The Brake Assist system (BAS[®]) senses emergency braking based on the speed at which you press the brake pedal. If it detects a panic situation, it immediately applies maximum available power boost. By eliminating the delay caused by a common human tendency not to brake hard enough, soon enough, Brake Assist can potentially reduce the overall stopping distance—a benefit that may help you avoid a collision. Letting up on the brake pedal releases Brake Assist.⁹

DISTRONIC PLUS

Radar-based cruise control adapts your set speed to the flow of traffic ahead, automatically slowing until your path is clear again. If the vehicle ahead slows to a stop, optional DISTRONIC PLUS[®] can brake to a full halt. When the traffic starts to go, you can resume with just a tap of the accelerator pedal or cruise control lever—or it will resume automatically if the stop is less than a second.¹⁰

ADAPTIVE BRAKING TECHNOLOGY

A suite of advancements pioneered by Mercedes-Benz has gone on to become an industry standard. If you lift off the accelerator pedal quickly, Predictive Brake Priming pre-charges the brakes for more immediate response when you apply them. In the rain, Automatic Brake Drying periodically sweeps water build-up from the discs. Hill-Start Assist helps prevent rollback in uphill starts. And a brake HOLD feature can make long red lights or stopped traffic a little easier.⁷

PARKTRONIC WITH ACTIVE PARKING ASSIST

An optional system can size up open parking spaces as you drive by. When you decide to back into one, it can expertly steer and brake for you—and steer you back out later. In any low-speed maneuver, PARKTRONIC's ultrasonic sensors in the bumpers help detect nearby objects within its field of view. Audible and visual indicators in the cabin help you navigate tight spaces with confidence.

FOCUSED AND SHARP

THE GLA COCKPIT KEEPS YOU IN THE MOMENT, AND ON TOP OF YOUR GAME.



PURPOSEFUL, AND PURPOSELY STYLISH

It only takes a moment to appreciate the flowing design of the GLA's cockpit. And thanks to its clear analog gauges, sharp color screens and intuitive ergonomics, the flow of information is just as quick. A multifunction steering wheel with shift paddles and a console controller put its abundant features at your fingertips. Even the dash vents put the fun back in function, with aluminized rings and x-shaped vanes that twist closed with a satisfying click.



The thoughtful technology in the GLA cabin is designed to enhance whatever mood, season or location you're in. Your listening pleasure is limitless, with standard HD Radio™ stations, Bluetooth® audio streaming, an SD card reader, and a USB port. To that you can add nationwide SiriusXM Radio,¹¹ global Web-based streaming audio,¹² and 450 watts of harman/kardon® digital surround sound. You can search in-car via Google or Yelp, and send results directly to the COMAND® navigation.¹³ A rearview camera¹⁴ can make tight spots easier, with active steering guidelines and a new 180° viewing mode. The standard dual-zone climate control filters dust, pollen and even airborne pollution and odors. And options include 12-color ambient lighting, and 3-stage heated front seats. With more ways to satisfy your senses individually, a GLA can bring more enjoyment to you and all your passengers collectively.



THE GLA ISN'T JUST TALENTED, IT'S MULTITALENTED. FROM ENTERTAINMENT TO AMBIANCE, THERE'S MORE TO ENJOY. IN ANY SEASON, IT'S GOT YOUR COMFORT COVERED. AND WHEN YOU PARK, IT'S GOT YOUR BACK.

MORE OF EVERYTHING



WITHIN ITS COMPACT OUTSIDE DIMENSIONS, THE GLA CONCEALS A MULTIDIMENSIONAL CABIN. FIVE ADULTS CAN RIDE IN COMFORT. TWO CAN TAKE ON 43.6 CUBIC FEET OF CARGO. AND WITH A NEW FLAT-FOLD FRONT SEAT, IT'LL GO TO EVEN GREATER LENGTHS FOR YOU.

OPEN FOR ANYTHING





Versatility is pretty much a given in an SUV, no matter how big or small. What sets a GLA apart is its spontaneity. Its cabin has the same can-do attitude as its athletic chassis, so you can enjoy flexing its muscles as much as its flexible seating.

The 60/40 rear seat's armrest pass-through lets you carry a long item while two passengers ride in comfort.² A standard fold-flat front seat can accommodate something even longer—like a ladder—that spans from the glovebox to the standard power liftgate.¹⁵ In keeping with the big-inside/small-outside theme, you can easily program the liftgate's opening height for low ceilings. And in case you're thinking the GLA is all about its carpeted cargo area, rest assured that comfort doesn't take a back seat to cargo. The GLA lets all five of its passengers enjoy its space and atmosphere. Opt for the giant power Panorama roof and it'll add the stratosphere.



TOGETHER WHEREVER

IT'S PERFECTLY NATURAL TO DEVELOP AN EMOTIONAL ATTACHMENT TO YOUR MERCEDES-BENZ. WITH MBRACE, ENJOYING A TECHNOLOGICAL CONNECTION IS JUST AS EASY.

With Mercedes-Benz mbrace[®], your car is only a click away. Five years of mbrace Connect benefits and services¹² come standard with every new 2016 Mercedes-Benz, providing you with remote access to your vehicle from your smartphone or computer. With the mbrace Mobile App,¹⁶ you can lock, unlock and locate your GLA—and more. You can access Google and Yelp from your car with an ever-evolving variety of in-vehicle apps. You can send destinations to your GLA's available COMAND[®] navigation system from your computer or phone. Even your car can reach out, with remote diagnostics and a direct connection to Mercedes-Benz Roadside Assistance.¹⁷ Three additional packages bring you even more connections—from added safety and security, to a personal concierge, to streaming music and in-car WiFi for you and your friends. With mbrace, your Mercedes-Benz helps you stay connected not just to your car, but to your world—from anywhere you are, and wherever tomorrow takes you.

mbrace Connect

5 years included

State-of-the-art convenience with remote vehicle access, in-vehicle apps and over-the-air updates

Package includes:

- mbrace Mobile App for Android or iPhone
- Remote lock/unlock and other vehicle features via Mobile App
- Access to mbrace Web services at mbrace.MBUSA.com
- Remote diagnostics with direct dealer connection
- Over-the-air updates of many mbrace features and apps
- An evolving selection of Mercedes-Benz Apps, such as:
 - Google™ Local Search
 - Yelp
 - Fuel station finder with prices
 - Weather reports locally and around the world
 - Airport flight status
 - Local movie theater showtimes
- Valet Protect
- Viewable traffic cams in many metro markets

mbrace Secure

6-month trial included

Requires mbrace Connect

Added peace of mind from safety and security features for you, your family, and your vehicle

Package includes:

- Automatic Collision Notification
- Emergency calling from your car's SOS button or the Mobile App
- Automatic Alarm Notification
- Stolen vehicle location assistance
- Agent-assisted remote locking and unlocking
- Dealer connect

mbrace Concierge

3-month trial included

Requires mbrace Secure

Personal assistance from highly knowledgeable professionals with access to a world of resources

Package includes:

- Personal concierges to help you stay more productive on the road, or from the Mobile App on your smartphone
- Expert recommendations and reservations for dining out, and for tickets to events
- Turn-by-turn directions from a live assistant or sent to your car
- Travel assistance, including reservations and changes for hotels, airlines and car rentals
- Answers to most any question, help with most any request

mbrace Entertain

3-month trial included

Requires mbrace Secure

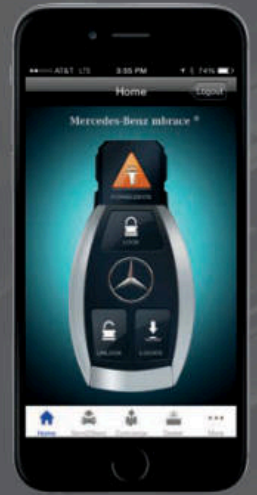
Online, on-the-road enjoyment from streaming entertainment to maps, along with in-car WiFi

Package includes:

- Streaming audio and data via widely available 3G coverage
- In-car WiFi with secure connection of up to four devices
- Online maps, powered by Google
- A selection of streaming audio apps, including:
 - TuneIn[®] radio
 - iHeartRadio[®] Available starting Fall 2015
 - Mercedes-Benz Radio

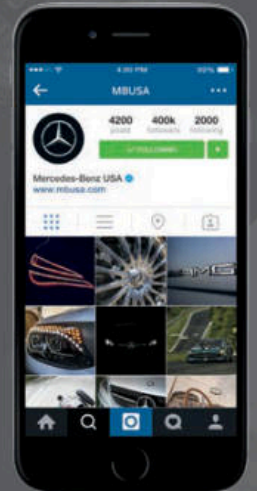
WiFi and online maps require Multimedia Package

Mercedes me is a new online destination for Mercedes-Benz drivers, where you can access vehicle info, get more from your mbrace features, learn more about your car, and follow the exciting world of Mercedes-Benz. Take a tour at MBUSA.com/me



CAR IN YOUR POCKET

The mbrace Mobile App on your iPhone or Android phone lets you remote-control a number of car features from anywhere your phone has service. You can lock or unlock the doors. Locate your car on a map from up to a mile away. Or flash its lights and sound the horn. You can even look up an address, and send it directly to your car's COMAND navigation system.



OUR WORLD IS YOURS

The online world of Mercedes-Benz is one of many ways you can enjoy being part of the family. You can keep up to date with news and events, or take in an entertaining film. You can get more from your vehicle with helpful tutorial videos and downloadable manuals. And you can check out photos from other Mercedes-Benz drivers and fans, and best of all, share yours as well.



BUILD YOUR OWN

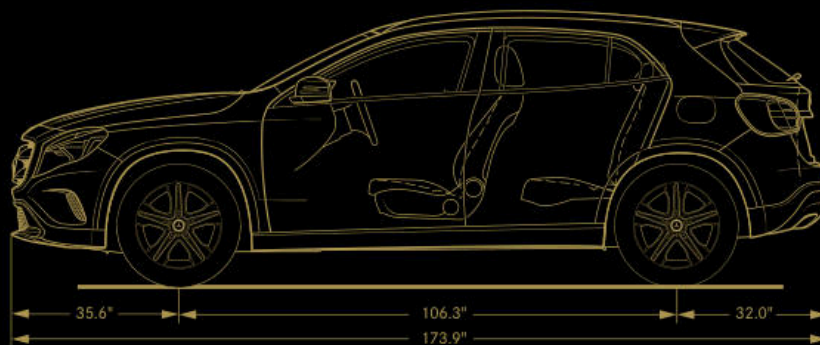
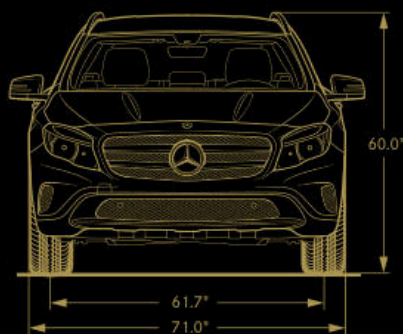
MBUSA.com/GLA

Specifications

	GLA250	AMG GLA45
Engine	Type	2.0-liter turbo Direct Injection gasoline inline-4
	Power	208 hp @ 5,500 rpm
	Torque	258 lb-ft @ 1,250-4,000 rpm
Transmission	7-speed dual-clutch automatic with steering-wheel shift paddles	7-speed AMG SPEEDSHIFT® DCT dual-clutch automatic with console-mounted E-SELECT electronic gear selector and steering-wheel shift paddles
Acceleration, 0-60 mph³	7.2 sec 4MATIC: 7.1 sec	4.3 sec
Wheels	18" twin 5-spoke with all-season Extended Mobility tires ¹	19" AMG® twin 5-spoke with high-performance tires ¹
Suspension	4-wheel independent strut front/multilink rear	AMG Sport Suspension, 4-wheel independent strut front/multilink rear
Drivetrain	Front-wheel drive or 4MATIC® all-wheel drive	AMG Performance 4MATIC all-wheel drive

Dimensions

	GLA250	AMG GLA45
Wheelbase	106.3"	106.3"
Overall length	173.9"	175.0"
Overall height	60.0" (with roof rails)	58.2" (with roof rails)
Overall width	79.6" (with mirrors)	79.6" (with mirrors)
Curb weight	3,296 lbs 4MATIC: 3,428 lbs	3,457 lbs
Headroom (front/rear)	40.0" / 38.4"	40.0" / 38.4"
Legroom (front/rear)	41.9" / 33.9"	41.9" / 33.9"
Shoulder room (front/rear)	54.8" / 53.1"	54.8" / 53.1"
Cargo capacity		
Behind rear seat	14.9 cu ft (to top of seats)	14.9 cu ft (to top of seats)
Rear seats folded	43.6 cu ft (floor to ceiling)	43.6 cu ft (floor to ceiling)



KEY STANDARD FEATURES

GLA 250
AMG GLA 45

Performance and efficiency

- ● ECO Start/Stop system
 - — DYNAMIC SELECT with ECO, Sport and Manual modes
 - ● AMG DYNAMIC SELECT with Comfort, Sport, Sport+ and Individual modes
 - ● AMG sport exhaust
-
- ● Electric parking brake with automatic release in Drive
 - ● AMG high-performance braking system
 - ● Torque-vectoring Curve Dynamic Assist

Safety and security

- ● COLLISION PREVENTION ASSIST PLUS
 - ● ATTENTION ASSIST®
-
- ● Electronic Stability Program (ESP®)
 - ● Adaptive braking technology: Predictive Brake Priming, Automatic Brake Drying, Hill-Start Assist, and Brake HOLD feature
 - ● Emergency-sensing Brake Assist (BAS®)
 - ● Advanced Tire Pressure Monitoring System
-
- ● 10-way air bag protection
-
- — Daytime Running Lamps, front foglamps,¹⁰ partial-LED taillamps
 - ● LED Daytime Running Lamps, LED taillamps
 - ● Automatic light-sensing headlamps
 - ● Bi-Xenon headlamps
-
- ● SmartKey remote locking
 - ● Pushbutton KEYLESS-START
 - ● Power liftgate
 - ● Antitheft alarm system with remote panic feature

GLA 250
AMG GLA 45

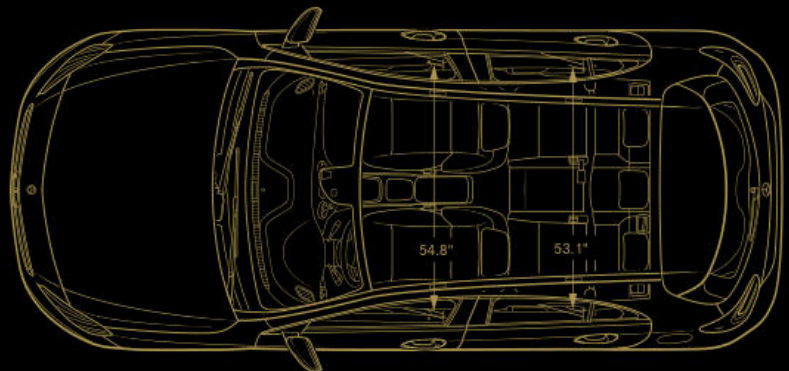
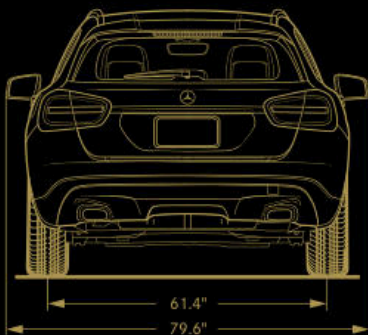
Comfort and convenience

- ● Power driver seat with 3-position memory
 - ● Power front passenger seat with 3-position memory
 - ● Adjustable cushion length and power lumbar support for front seats
 - ● Sport front seats with racing-inspired integrated head restraints
 - — Fold-flat front passenger seat²⁻¹⁵
 - ● 60/40-split folding rear seats²
 - ● Folding rear center armrest with pass-through²
-
- ● Tilt/telescoping steering column
 - ● Multifunction steering wheel with leather trim
 - ● Flat-bottom sport steering wheel
-
- ● Dual-zone digital automatic climate control
 - ● Front and rear cupholders
 - ● Amber ambient cabin lighting
-
- ● Chrome roof rails
 - ● Rain-sensing windshield wipers
 - ● Heated power side mirrors

Entertainment and navigation

- ● 7" high-resolution central screen
 - ● Central controller
 - ● High-resolution color multifunction display in instrument cluster
-
- ● Bluetooth® audio streaming
 - ● Hands-free Bluetooth interface
 - ● USB audio port and Media Interface
 - ● In-dash CD player with MP3 capability and SD card reader
 - ● HD Radio™ receiver
 - ● Prewiring for accessory Garmin® MAP PILOT® navigation system
-
- ● Mercedes-Benz mbrace®
 - ● 5 years of mbrace Connect services¹²

● Standard ○ Optional — Not available



Mercedes-Benz

4:26

Mercedes Dr

SPEED LIMIT 35

0.20 mi



Option Packages

	GLA 250	AMG GLA45
Premium Package	○	○
• Heated front seats		
• KEYLESS-GO [®]		
• harman/kardon LOGIC7 [®] surround sound system		
• SiriusXM Radio with 6-month All Access trial ¹¹		
• Auto-dimming driver-side and inside rearview mirrors		
• Compass display in inside mirror, ¹⁹ garage door opener		
Multimedia Package <i>Requires Premium Package</i>	○	○
• 8" high-resolution central screen		
• Rearview camera ¹⁴		
• COMAND [®] hard-drive navigation ¹³		
• No-charge navigation map updates for 3 years		
• 5 years of SiriusXM Traffic and Weather service ¹¹		
• Smartphone Integration ²⁰ with Apple CarPlay [™]		
• In-dash DVD/CD player, Dolby [®] Digital 5.1 sound		
• Voice control with learning feature for audio, phone and navigation		
Interior Package <i>Requires Premium Package</i>	○	○
• Leather upholstery, topstitched MB- <i>Tex</i> upper dash and door trim		
• Sport front seats with integrated head restraints <i>Standard on AMG GLA 45; deletes fold-flat front passenger seat on GLA 250</i>		
• Multicolor LED ambient lighting (12 colors and 5 dimming levels)		
Sport Package	○	—
• Sport body styling ¹⁸		
• 19" AMG [®] 5-spoke wheels (Silver) ¹		
• Sport brakes with perforated front discs and painted calipers		
Night Package <i>Requires Sport Package</i>	○	—
• Gloss Black exterior accents		
• 19" AMG 5-spoke wheels ¹ (Black)		
AMG DYNAMIC PLUS Package	—	○
• AMG Adaptive Suspension with Comfort and Sport modes		
• AMG limited-slip front differential		
• RACE mode, Race Start function and raised top speed ⁹		
AMG Exterior Carbon Fiber Package	—	○
<i>N/A with AMG Night Package or Aerodynamics Package</i>		
• Carbon fiber front air-dam splitter, side mirror caps, side-sill inserts and rear diffuser		
AMG Night Package	—	○
<i>N/A with AMG Exterior Carbon Fiber Package</i>		
• Gloss Black front air-dam splitter, side mirror caps, side-sill inserts, roof rails and rear diffuser		
• Black chrome tailpipes		
AMG Aerodynamics Package	—	○
<i>Requires AMG Night Package; N/A with Exterior Carbon Fiber Package</i>		
• Larger Gloss Black front air-dam splitter and front apron flics		
• Gloss Black rear wing spoiler		
Driver Assistance Package	○	○
• DISTRONIC PLUS [™] adaptive cruise control ¹⁰		
• Blind Spot Assist ⁴		
• Lane Keeping Assist ⁷		

Individual options

	GLA 250	AMG GLA45
4MATIC [®] all-wheel drive <i>AMG Performance 4MATIC on AMG GLA45</i>	○	●
AMG Adaptive Suspension with Comfort and Sport modes	—	○
AMG Performance exhaust	—	○
Red-painted brake calipers	—	○
Blind Spot Assist <i>Also in Driver Assistance Package</i>	○	○
PARKTRONIC with Active Parking Assist	○	○
KEYLESS-GO <i>Also in Premium Package</i>	○	○
Rearview camera ¹⁴ <i>Also in Multimedia Package</i>	○	○
Rear side-impact air bags	—	○
Panorama roof	○	○
Front fender badge and/or liftgate badge deletion	—	○
Gloss Black rear wing spoiler <i>Also in AMG Aerodynamics Package</i>	—	○
Heated front seats <i>Also in Premium Package</i>	○	○
Power front passenger seat with 3-position memory ²	○	●
AMG Performance front seats by Recaro [®]	—	○
AMG Performance steering wheel with DINAMICA side grips	—	○
harman/kardon LOGIC7 sound system <i>Also in Premium Package</i>	○	○
Smartphone Integration ²⁰ with Apple CarPlay <i>Also in Multimedia Package</i>	○	○
Multicolor LED ambient lighting (12 colors and 5 dimming levels) <i>Also in Interior Package</i>	○	○
AMG illuminated front door sills	—	○
Aluminum dash trim	○	●
Burl Walnut or Satin Light Brown Poplar wood dash trim	○	○
Carbon fiber dash trim	—	○
19" AMG twin 5-spoke wheels ¹ <i>N/A with Sport Package</i>	○	—
20" AMG 10-spoke wheels ¹ (Silver)	—	○
20" AMG 10-spoke wheels ¹ (Black)	—	○
Metallic or <i>designo</i> paintwork	○	○

Accessories *Selected items shown at left*

Illuminated Star <i>N/A with Driver Assistance Package</i>	○	○
Roof rack basic carrier	○	○
Mercedes-Benz Roof Box <i>Requires basic carrier</i>	○	○
Ski/snowboard and bicycle racks <i>Requires basic carrier</i>	○	○
Garmin [®] MAP PILOT [®] SD card-based integrated navigation system ¹³ <i>N/A with Multimedia Package</i>	○	○
Illuminated front door sills	○	—
Cargo area tray	○	○
Cargo box	○	○

● Standard ○ Optional — Not available

COLOR AND TRIM

UPHOLSTERY STYLES



Standard seats

- GLA 250: MB-*Tex*



Sport seats

- AMG GLA 45: MB-*Tex*/DINAMICA
- GLA 250: Leather *Interior Package (shown)*
- AMG GLA 45: Leather *Interior Package*



AMG Performance seats

- AMG GLA 45: MB-*Tex*/DINAMICA
- AMG GLA 45: Leather *Interior Package*

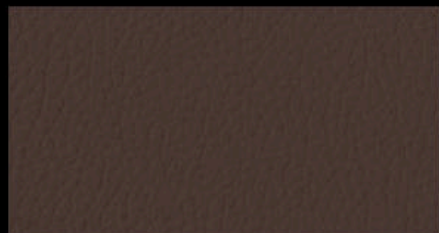
UPHOLSTERY COLORS



Black
MB-*Tex* or leather



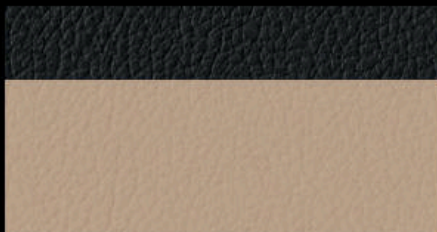
Ash
MB-*Tex*



Brown
Leather



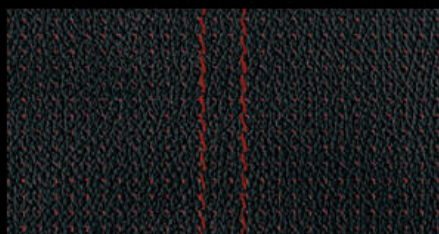
Beige
MB-*Tex*



Beige/Black
Leather



Black
MB-*Tex*/DINAMICA
Includes red stitching and seat belts



Black "Red Cut"
Leather
Includes red stitching and seat belts

INTERIOR TRIM



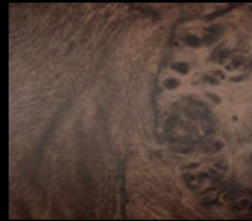
Anthracite
● GLA 250



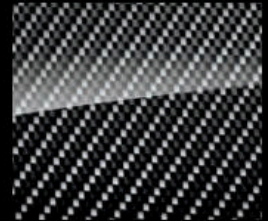
Aluminum
● AMG GLA 45
○ GLA 250



Burl Walnut wood
○ GLA 250, AMG GLA 45

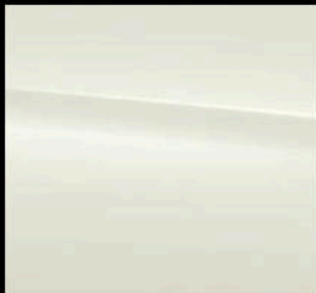


Satin Light Brown
Poplar wood
○ GLA 250, AMG GLA 45

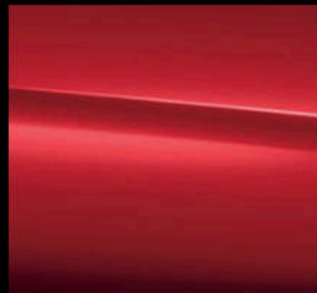


Carbon fiber
○ AMG GLA 45

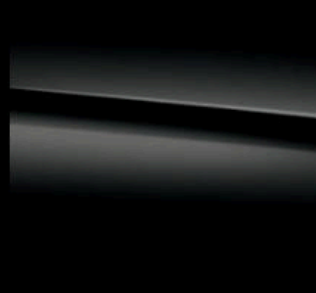
PAINTWORK



Cirrus White



Jupiter Red



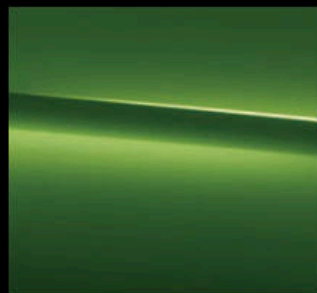
Night Black



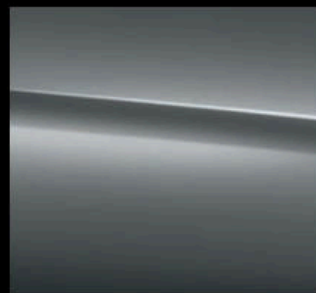
Cocoa Brown metallic



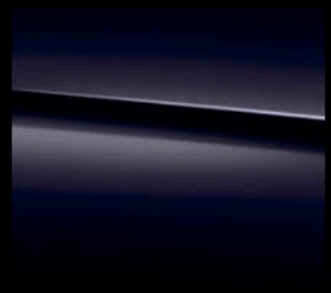
Cosmos Black metallic



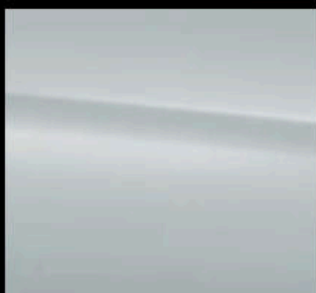
Kryptonite Green metallic



Mountain Grey metallic



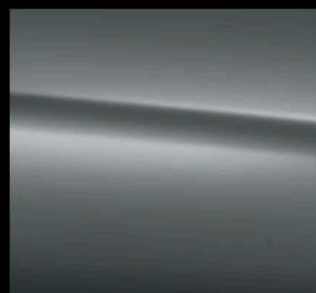
Northern Lights Violet metallic



Polar Silver metallic



South Seas Blue metallic



designo Magno Polar Silver (matte)

WHEEL CHOICES

● Standard ○ Optional



18" twin 5-spoke
● GLA 250



19" twin 5-spoke
○ GLA 250



19" AMG® 5-spoke (Silver)
○ GLA 250 Sport Package



19" AMG 5-spoke (Black)
○ GLA 250 Night Package



19" AMG twin 5-spoke
● AMG GLA 45



20" AMG 10-spoke (Silver)
○ AMG GLA 45



20" AMG 10-spoke (Black)
○ AMG GLA 45

©2015 Mercedes-Benz USA, LLC • 303 Perimeter Center North, Atlanta, GA 30346 • 1-800-FOR-MERCEDES • MBUSA.com

Marketing Communications. All illustrations and specifications contained in this brochure are based on the latest product information available at the time of publication. Mercedes-Benz reserves the right to make changes at any time, without notice, to colors, materials, equipment, specifications and models. Any variations in colors shown are due to reproduction variations of the printing process. Illustrations may include test situations. Some vehicles may be shown with non-U.S. equipment. Some vehicles are shown with optional equipment. Apple CarPlay, iPad, iPhone and iPod are trademarks, registered trademarks or service marks of Apple Inc. Bluetooth is a registered trademark of Bluetooth SIG, Inc. Garmin is a registered trademark of Garmin Ltd. Corp, George Town, Cayman Islands. Android and Google Maps are registered trademarks of Google Inc. harman/kardon and LOGIC7 are registered trademarks of Harman International Industries, Inc. HD Radio is a proprietary trademark of iBiquity Digital Corporation. Recaro is a registered trademark of Keiper Recaro GmbH, Remscheid, Germany. Sirius, XM and all related marks and logos are trademarks of Sirius XM Radio Inc. Tuneln is a registered service mark of Tuneln, Inc. Twitter is a registered trademark of Twitter, Inc. Yelp is a registered trademark of Yelp Inc.

ENDNOTES

- Lower aspect ratio tires and accompanying wheels provide substantially increased treadwear, increased tire noise and reduced ride comfort. Serious wheel and tire damage may occur if the vehicle is operated on rough or damaged road surfaces or upon encountering road debris or obstacles. These tires are not designed for use on snow and ice. Winter tires mounted on appropriately sized and approved wheels are recommended for driving in those conditions. GLA models are not provided with a spare tire. Models with high-performance tires are provided with TIREFIT sealant and a portable air pump.
- Unsecured cargo can become hazardous in a collision. Always secure cargo using the floor-mounted tie-downs.
- Stated rates of acceleration are estimated based upon manufacturer's track results and may vary depending on model, environmental and road surface conditions, driving style, elevation and vehicle load.
- No system, regardless of how advanced, can overcome the laws of physics or correct careless driving. Please always wear your seat belt. Performance is limited by available traction, which snow, ice and other conditions can affect. Always drive carefully, consistent with conditions. Best performance in snow is obtained with winter tires.
- Always obey local speed and traffic laws.
- COLLISION PREVENTION ASSIST PLUS may not be sufficient to avoid an accident. It does not react to certain stationary objects, nor recognize or predict the curvature and/or lane layout of the road or every movement of vehicles ahead. It is the driver's responsibility at all times to be attentive to traffic and road conditions, and to provide the steering, braking and other driving inputs necessary to retain control of the vehicle. Drivers are cautioned not to wait for the system's alerts before braking, as that may not afford sufficient time and distance to brake safely. Autonomous braking is available at speeds between approximately 5 and 65 mph for moving vehicles, or 5 and 31 mph for stationary objects.
- Driving while drowsy or distracted is dangerous and must be avoided. ATTENTION ASSIST® and/or Lane Keeping Assist may be insufficient to alert a fatigued or distracted driver of lane drift and cannot be relied on to avoid an accident or serious injury. Lane Keeping Assist operates at speeds above approximately 37 mph.
- Blind Spot Assist may not be sufficient to avoid all accidents involving vehicles in your blind spot and does not estimate the speed of approaching vehicles. It must not be used as a sole substitute for driver awareness and checking of surrounding traffic conditions. Blind Spot Assist operates at speeds above approximately 20 mph.
- Braking effectiveness also depends on proper brake maintenance, and tire and road conditions.
- DISTRONIC PLUS® adaptive cruise control is no substitute for active driving involvement. It does not adapt cruising speed in response to stationary objects, nor does it predict the curvature and lane layout of the road ahead or the movement of vehicles ahead. It is the driver's responsibility at all times to be attentive to traffic and road conditions, and to provide the steering, braking and other driving inputs necessary to retain control of the vehicle. Drivers are cautioned not to wait for the DISTRONIC Proximity Warning System before braking, as that may not afford sufficient time and distance to brake safely.
- The purchase or lease of a new, satellite radio-enabled vehicle includes a 6-month introductory subscription to the Sirius All Access package, as well as a 5-year introductory subscription to SiriusXM Traffic and SiriusXM Weather when equipped with the Multimedia Package. SiriusXM Traffic and Weather services are available for select markets. SiriusXM Satellite Radio, SiriusXM Traffic and SiriusXM Weather subscriptions are sold separately or as a package after trial period. If you decide to continue your subscription after your trial, the plan you choose will automatically renew and you will be charged according to your chosen payment method at then-current rates. Fees and taxes apply. To cancel you must call SiriusXM at 1-866-635-2349. See SiriusXM Customer Agreement for complete terms at siriusxm.com. All fees and programming subject to change.
- All Mercedes-Benz mbrace® services operate only where cellular and Global Positioning System satellite signals are available, which are provided by third parties and not within the control of Mercedes-Benz USA, LLC. Five years of the mbrace Connect package are included with new-vehicle sales and leases at an authorized Mercedes-Benz dealer. Subscriber Agreement is required for service to be active. Some services are only available on select vehicles. Your PIN is required in order to use certain services. Some services may be limited or restricted in some areas. Apps may be introduced and updated at varying dates, and may also require a vehicle software update. Driver is responsible for complying with traffic and other laws. See your dealer or MBUSA.com/mbrace for details, including a list of compatible smartphones. Streaming Internet-based features require Multimedia Package plus an active subscription to the mbrace Entertain Package. Connection may be limited by cellular signal.
- While the navigation system provides directional assistance, the driver must remain focused on safe driving behavior, including paying attention to traffic and street signs. The driver should utilize the system's audio cues while driving and should only consult the map or visual displays once the vehicle has been stopped in a safe place. Maps do not cover all areas or all routes within an area.
- Rearview camera does not audibly notify driver of nearby objects and is not a substitute for actively checking around the vehicle for any obstacles or people. Images displayed may be limited by camera field of view, weather, lighting conditions and the presence of dirt, ice or snow on the cameras.
- Fold-flat feature is deleted when vehicle is equipped with power front passenger seat or sport front seats.
- The mbrace Mobile App is compatible with Apple iPhone® models running iOS 7.0 or later, and Android-based phones running OS 2.3 or later. Please visit MBUSA.com/mbrace for more information.
- Roadside Assistance repairs may involve charges for parts, service and towing. Vehicle must be accessible from main roads. Depending on the circumstance, these services may be provided by an outside provider, courtesy of Mercedes-Benz Roadside Assistance. Restricted roadways, acts of nature and vehicle accessibility may limit our ability to provide services to you. For full details, eligibility requirements, and limitations/exclusions of Sign and Drive services, as well as the Roadside Assistance Program, please see your dealer.
- Front foglamps are deleted with optional Sport Package.
- Compass in mirror is replaced by displays in COMAND® navigation screen and multifunction display when Multimedia Package is also ordered.
- Introduction dates vary. Please see your dealer. Apple CarPlay™ requires a compatible iPhone® plugged into vehicle's USB port. Connection to apps and streaming services may be limited by cellular signal. Data usage will be routed through connected iPhone and is subject to fees, charges and restrictions in user's wireless plan. Visit MBUSA.com for more information.



The personal rewards of striving to be the best are even more meaningful in the development of young people than they are for automobiles. Instilling the values of leadership, goal-setting, discipline and teamwork in youth is an investment in everyone's future. It's why Mercedes-Benz USA is collaborating with the Laureus Sport for Good Foundation, with an ongoing commitment to train and place hundreds of coaches for after-school and in-school sports programs in communities around the country. Sports offer kids more than the chance to be physically active and have fun. It's also an opportunity to have a mentor who can guide them, help them learn how to deal with major life issues, and help them grow stronger not just physically but in their character. As a Mercedes-Benz driver, you become a part of this effort to give hundreds of thousands of kids a better life today, and all of us a brighter tomorrow.

Learn more about how Mercedes-Benz USA believes in giving back at MBUSA.com/community