



Nissan Intelligent Mobility moves you one step ahead. In cars that feel like an extension of you, helping you see more and sense more, reacting with you, and sometimes even for you. Nissan Intelligent Mobility is about a better future – moving through life with greater confidence, excitement and connection to the world around you.



GT-R®
2024



¹Available feature. ²Information displayed is dependent on how vehicle is equipped. Driving is serious business and requires your full attention. If you have to use the feature while driving, exercise extreme caution at all times so full attention may be given to vehicle operation. ³Leather appointments. ⁴Premium and T-spec® engine horsepower and torque ratings: 565 hp and 467 lb-ft of torque; NISMO® engine horsepower and torque ratings: 600 hp and 481 lb-ft of torque. ⁵2024 EPA Fuel Economy Estimates. ⁶City MPG / 22 Highway MPG / 18 Combined MPG for GT-R®. Actual mileage may vary with driving conditions. Use for comparison only. ⁷Driving is serious business and requires your full attention. Obey all traffic laws, always drive safely, and wear your seat belt. Damage resulting from racing, competitive driving, track, off-road and/or airstrip use not covered by warranty. See your new vehicle limited warranty information booklet and Owner's Manual for proper vehicle operation and complete warranty details. ⁸Dry carbon-fiber requires specific maintenance. Please see your Owner's Manual for details. ⁹Extra cost option. ¹⁰Not available with Appearance Package. ¹¹Always use appropriate tires for weather conditions. See Owner's Manual for details. Failure to use appropriate tires could cause an accident resulting in serious injury or death. ¹²Vehicle Dynamic Control cannot prevent collisions due to abrupt steering, carelessness, or dangerous driving techniques. It should remain on when driving, except when freeing the vehicle from mud or snow. See Owner's Manual for safety information. ¹³Use feature only when safe and legal. Compatible device and service required. Subject to third party service availability. For more information, see [NissanUSA.com/connect/legal](https://www.nissanusa.com/connect/legal). ¹⁴Never program while driving. GPS mapping may not be detailed in all areas or reflect current road status. ¹⁵For complete information concerning warranty coverage, conditions, limitations, and exclusions, see your Nissan dealer and [parts.NissanUSA.com](https://www.nissanusa.com) for warranty details. ¹⁶Driving is serious business and requires your full attention. If you have to use the connected device while driving, exercise extreme caution at all times so full attention may be given to vehicle operation. ¹⁷Rear View Monitor may not detect every object and does not eliminate blind spots or warn of moving objects. See Owner's Manual for safety information. ¹⁸Sonar System may not detect every object. Driver should always check surroundings before driving. See Owner's Manual for safety information. ¹⁹Driving is serious business and requires your full attention. Do not operate any devices connected to the power outlets while driving. ²⁰Use Hands Free Text Messaging when parked in a safe location. If you must use while driving, monitor traffic conditions and keep both hands on the steering wheel to prevent collisions. Compatible device required. Message and data rates may apply. ²¹Air bags are only a supplemental restraint system. Always wear your seat belt. Rear-facing child restraints should not be placed in the front passenger's seat. All children 12 and under should ride in the rear seat properly secured in child restraints, booster seats, or seat belts according to their size. Air bags will only inflate in certain accidents. See Owner's Manual for safety information. ²²Tire Pressure Monitoring System is not a substitute for regular tire pressure checks. See Owner's Manual for safety information. ²³Cargo and load capacity limited by weight and distribution. Always secure cargo. ²⁴Roadside assistance coverage period varies by model-year model. For complete information concerning warranty coverage, conditions and exclusions, see your Nissan dealer and read the warranty information booklet for the model-year model. Alcantara® is a registered trademark of Alcantara S.p.A. Corporation. Apple CarPlay® is a registered trademark of Apple, Inc. Bilstein® and Damptronic® are registered trademarks of ThyssenKrupp Bilstein GmbH. Bluetooth® word mark and logos are owned by Bluetooth SIG, Inc. and any use of such marks by Nissan is under license. Bose® is a registered trademark of The Bose Corporation. Brembo® is a registered trademark of Freni Brembo S.p.A. Dunlop® is a registered trademark of DNA Ltd. Corporation. Facebook® is a registered trademark of Facebook, Inc. HomeLink® is a registered trademark of Gentex Corporation. Instagram® is a registered trademark of Instagram, LLC. RAYS® is a registered trademark of RAYS Engineering. Recaro® is a registered trademark of Recaro North America Inc. The Sirius®, XM®, and SiriusXM® names and all related marks and logos are trademarks of Sirius XM Radio Inc. All other trademarks are the property of their respective owners. SP Sport MAXX® is a registered trademark of SRI USA, Inc. Twitter® is a registered trademark of Twitter, Inc. YouTube® is a registered trademark of Google LLC. This brochure is intended for general descriptive and informational purposes only. It is subject to change and does not constitute an offer, representation or warranty (express or implied) by Nissan North America, Inc. Interested parties should confirm the accuracy of any information in this brochure as it relates to a vehicle directly with Nissan North America, Inc., before relying on it to make a purchase decision. Nissan North America, Inc. reserves the right to make changes, at any time, without prior notice, in prices, colors, materials, equipment, specifications, and models and to discontinue models or equipment. Due to continuous product development and other pre- and post-production factors, actual vehicle, materials and specifications may vary from this brochure. Some vehicles shown with optional equipment. See the actual vehicle for complete accuracy. Availability and delivery times for particular models or equipment may vary. Specifications, options and accessories may differ in Hawaii, U.S. territories and other countries. For additional information on availability, options or accessories, see your Nissan dealer or contact Nissan North America, Inc. At [NissanUSA.com](https://www.nissanusa.com), you'll find virtual product demonstrations, a way to "build your own Nissan," a dealer locator, and more information about key Nissan support services. Or if you'd prefer, call 1-800-NISSAN-3 for answers to specific questions about GT-R® or any other Nissan vehicle. The Nissan names, logos, product names, feature names, and slogans are trademarks owned by or licensed to Nissan Motor Co. Ltd. and/or its North American subsidiaries. Other trademarks and trade names are those of their respective owners. Always wear your seat belt, and please drive responsibly. ©2023 Nissan North America, Inc. 24 GT-R 2411065-N-04/23-60K-KSL



The best GT-R, ever

No one else makes a supercar like this. One that rewrites the laws of aerodynamics. That uses ATTESA E-TS® All-Wheel Drive to deliver ultimate four-season performance. With a rear seat, even a trunk. We could have sat back and let others play catch-up, but that's not our way — we're driven to constantly improve. So for 2024, you'll find enhanced aerodynamics, improved performance, and even iconic exterior colors. The 2024 Nissan GT-R® Legends never sleep.



Mastery at every touchpoint

The GT-R's interior is a masterful blend of premium materials, from hand-stitching in the cabin to a dashboard pad created from a single, hand-selected Nappa leather hide.¹ Subtle etching on the aluminum bezels enhances their feel.

- Handmade carbon-fiber interior accents
- Hand-stitched leather-appointed interior trims¹
- Machined aluminum interior accents

Nissan GT-R[®] Premium shown in Red Amber Semi-aniline Leather.³



A supercar with a rear seat

Music to anyone's ears, the dual woofers between the rear seats were developed especially for the GT-R[®] as part of the 11-speaker Bose audio system.



A sharper focus on driving

The Nissan GT-R is a master of letting you decide what information you need and serves it up in a clear, concise manner. From a choice of customizable performance screens to an intuitive Display Commander to control your media, you're in charge.²

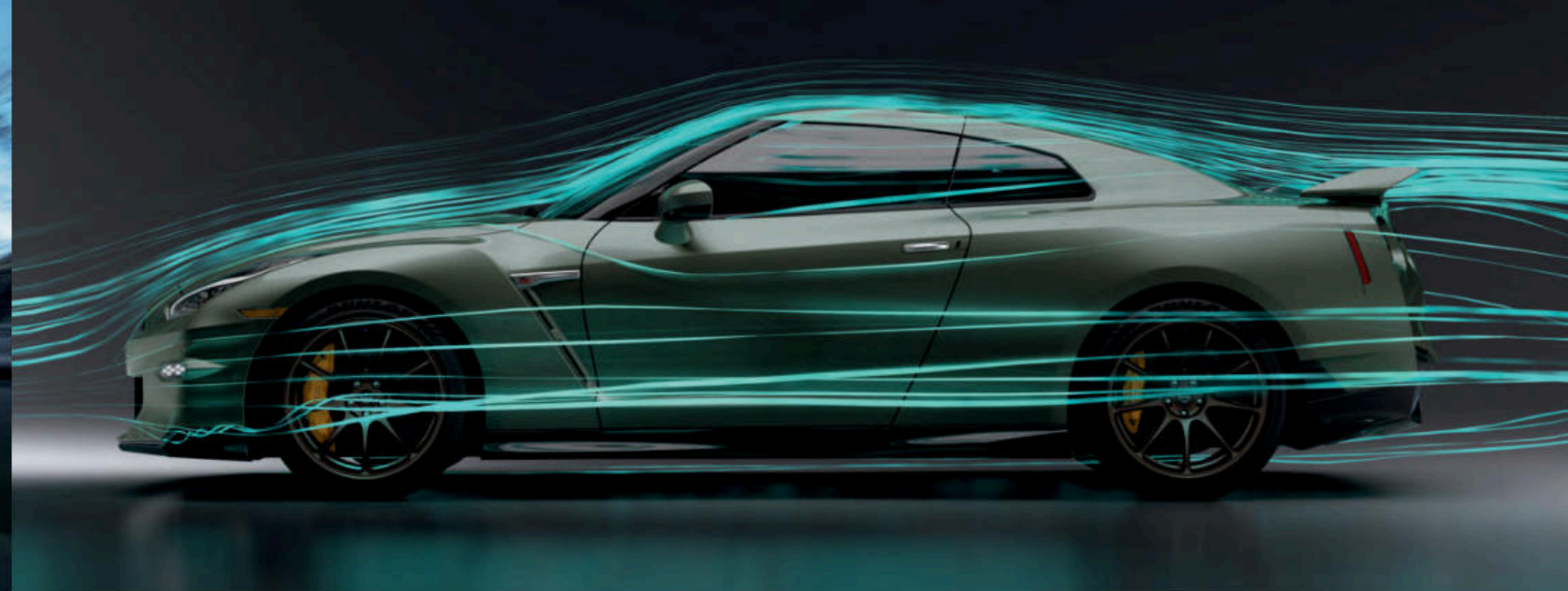
- 5 customizable performance screens²
- Display Commander media controller
- Steering wheel-mounted paddle shifters



Massive power

The Nissan GT-R® is powered by a twin-turbocharged 3.8L V6 that produces a prodigious 565 hp and an equally immense 467 lb-ft of torque.⁴ For higher horsepower and enhanced response, each side of the VR38 features its own turbocharger, intercooler, and catalyst. Inside, instead of traditional cast-iron liners, innovative plasma-sprayed bores are used in each cylinder to reduce friction and weight, while maximizing horsepower and increasing fuel efficiency.^{4,5}

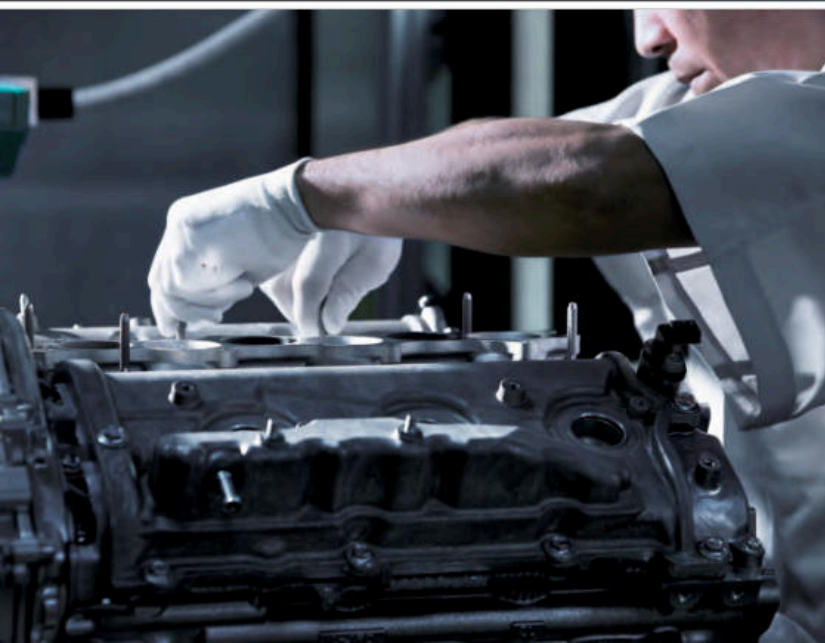
565

 horsepower⁴

Aerodynamics that refine and define

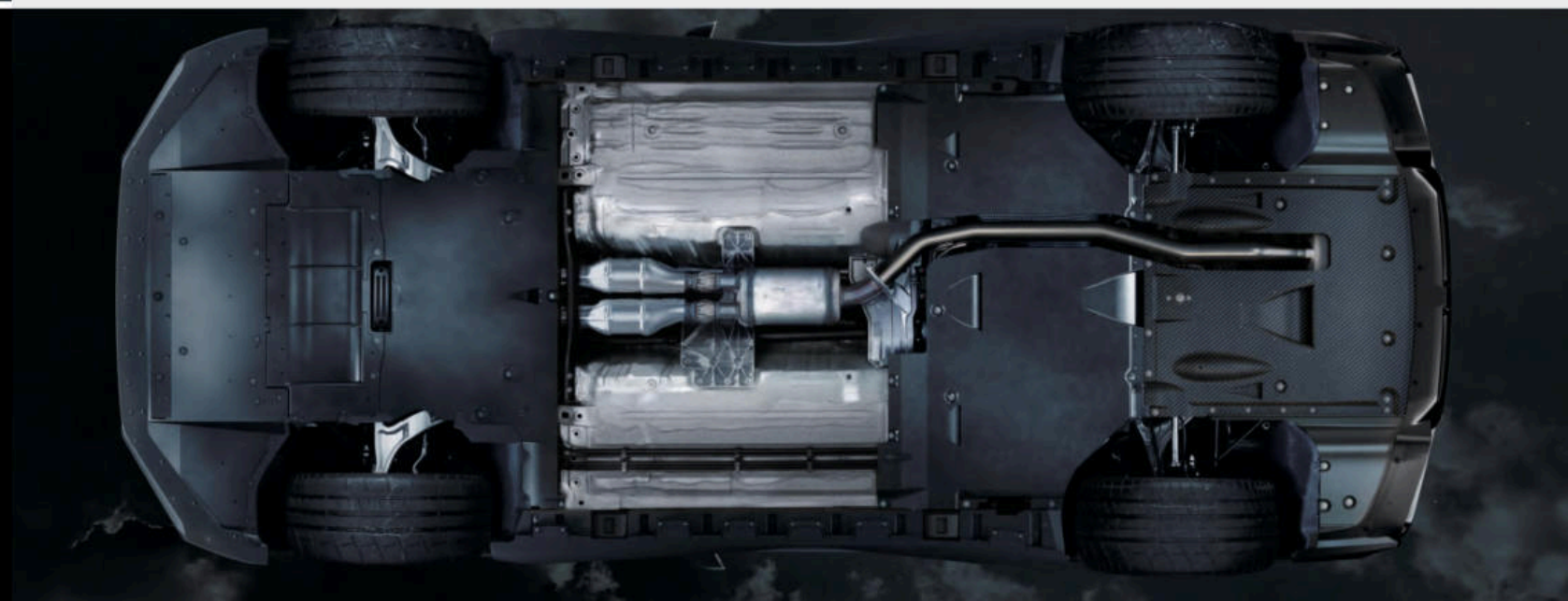
No other supercar looks like the GT-R. Why? Rather than being confined by the demands of aerodynamics, the Nissan GT-R sculpts the air to its needs — becoming a force of nature, as much as a force to be reckoned with. For 2024, the GT-R continues to pursue aero perfection with new front and rear fascias, which add downforce without adding drag, and a new spoiler, to further perfect airflow.

.26

 Cd

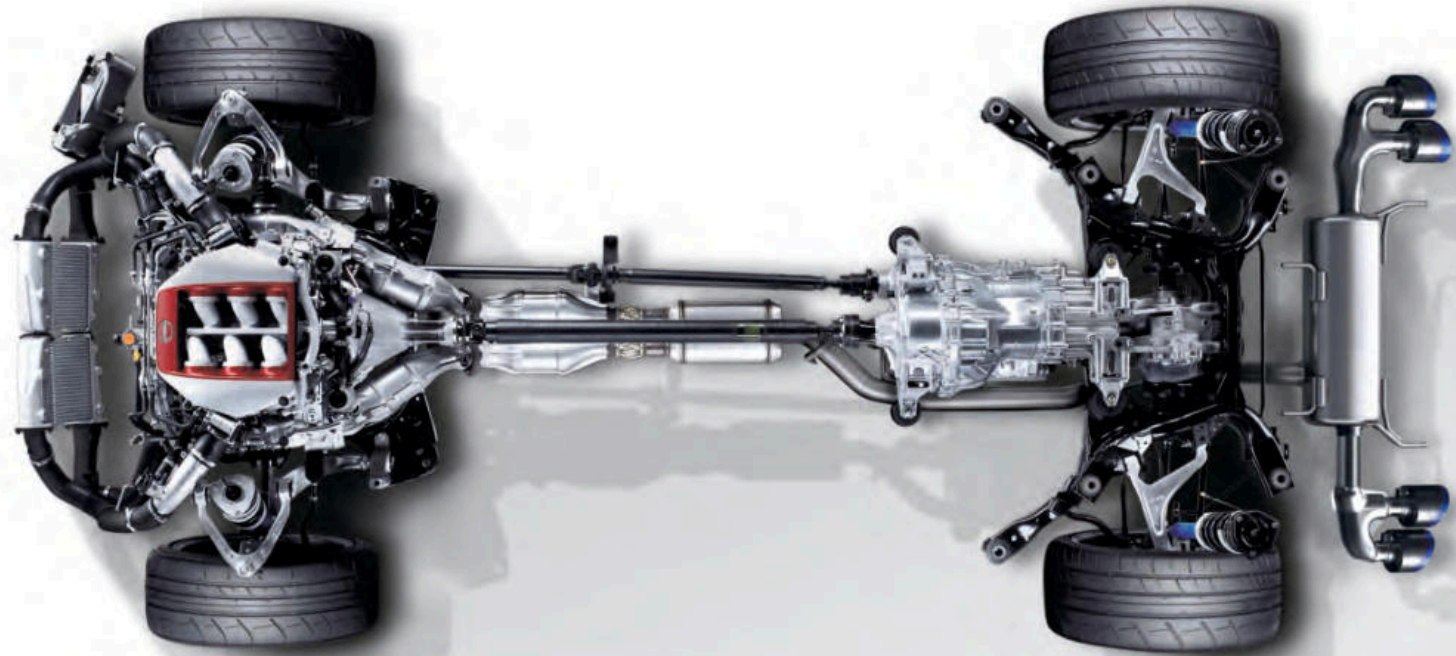
Handcrafted performance

Each GT-R engine is assembled by a single craftsman — called “Takumi” — renowned for their dedication and mastery. And with only five Takumi in the world entrusted with the honor, the plaque on the engine bearing their name has true significance. As one of the Takumi says, “We put our souls into each engine, hoping to deliver that excitement to customers.”



Premium Midship platform

GT-R® employs a unique Premium Midship platform that moves the engine farther back in the chassis, reducing weight over the nose for responsive handling. Enhancing the design, the GT-R separates the transmission from the engine and mounts it with the transfer case in the rear of the vehicle, creating an independent rear transaxle. By putting greater weight over the rear axle, traction and braking are improved. A visionary design in the pursuit of ultimate handling.



6-speed dual-clutch transmission

Rapid shifts on demand. Inside the Nissan GT-R's 6-speed dual-clutch transmission, there are separate clutches for the odd (1st, 3rd, 5th) and even (2nd, 4th, 6th) gears. When the car is in an odd-numbered gear, the adjacent even-numbered gear is "pre-selected" — ready to make the shift immediately.



ATTESA E-TS® All-Wheel Drive

Instead of the traditional 50/50 torque split between front and rear axles, the Nissan GT-R's electronically controlled All-Wheel Drive system can send up to 50% of torque to the front wheels as needed or provide nearly 100% of available torque to the rear wheels. This provides the steering feel and response of a rear-wheel drive vehicle — the preferred choice of racecar drivers and serious enthusiasts — while still giving the added confidence that only All-Wheel Drive can offer.⁶



Beyond ultimate — again

Some call it the ultimate Nissan vehicle, the ultimate GT-R,[®] and even the ultimate supercar. But you know, combining the amazing performance of the GT-R and the passionate engineering of the legendary racing arm of Nissan, we had to take the 2024 GT-R NISMO[®] even further. Under the hood, 600 horsepower is delivered by turbos from our GT3 racing program for incredible response across the rpm range.⁴ To help put that awesome power down, for 2024, a new front limited-slip differential combines with the rear limited-slip differential, enhancing handling.

Grip is also enhanced with aggressive aerodynamics including NISMO-specific front and rear fascias, a redesigned trunk lid, and swan-neck rear spoiler. To squeeze out every ounce of performance, there's carbon-fiber on the roof, hood, and fenders to reduce weight and bring the center of gravity lower and closer to the center, helping to enhance stability and provide more responsive handling.⁷ Vents on the front fenders increase aerodynamic downforce for sharper turn-in.

Connecting you to the road is a competition-bred suspension working through unique 20" NISMO wheels and special-compound tires to take handling to the next level.

Inside is as beautiful as it is focused, with Recaro[®] seats, an Alcantara[®]-wrapped steering wheel with red leather stripe at 12 o'clock, and signature NISMO red throughout the cabin, including the seatbacks, tachometer face, shift lever, and door handle pulls.

481 lb-ft of torque⁴

NISMO high-capacity GT3 turbochargers

NISMO unique 9-spoke forged wheels

NISMO-exclusive carbon-fiber fascias, trunk lid, and swan-neck rear spoiler

600

hp⁴

Incredible power requires incredible braking. The Nissan/Brembo[®] Carbon Ceramic Braking System brings massive stopping power and enhanced fade resistance.



CHOOSE YOUR COLOR



Pearl White TriCoat[®]

Super Silver QuadCoat[®]

Gun Metallic

Stealth Gray[®]

Solid Red

PREMIUM T-SPEC[®] NISMO[®]

PREMIUM T-SPEC[®] NISMO[®]

PREMIUM T-SPEC[®] NISMO[®]

PREMIUM T-SPEC[®] NISMO[®]

PREMIUM T-SPEC[®] NISMO[®]

Black Leather ³	<input type="checkbox"/>	<input type="checkbox"/>	<input type="checkbox"/>
Hai Gray Leather ^{3,8}	<input type="checkbox"/>	<input type="checkbox"/>	<input type="checkbox"/>
Kuro Night Leather ^{3,8}	<input type="checkbox"/>	<input type="checkbox"/>	<input type="checkbox"/>
Red Amber Leather ^{3,8}	<input type="checkbox"/>	<input type="checkbox"/>	<input type="checkbox"/>
Mori Green Leather ³	<input type="checkbox"/>	<input type="checkbox"/>	<input type="checkbox"/>
Black/Red Leather ³	<input type="checkbox"/>	<input type="checkbox"/>	<input type="checkbox"/>

Black Leather ³	<input type="checkbox"/>	<input type="checkbox"/>	<input type="checkbox"/>
Hai Gray Leather ^{3,8}	<input type="checkbox"/>	<input type="checkbox"/>	<input type="checkbox"/>
Kuro Night Leather ^{3,8}	<input type="checkbox"/>	<input type="checkbox"/>	<input type="checkbox"/>
Red Amber Leather ^{3,8}	<input type="checkbox"/>	<input type="checkbox"/>	<input type="checkbox"/>
Mori Green Leather ³	<input type="checkbox"/>	<input type="checkbox"/>	<input type="checkbox"/>
Black/Red Leather ³	<input type="checkbox"/>	<input type="checkbox"/>	<input type="checkbox"/>

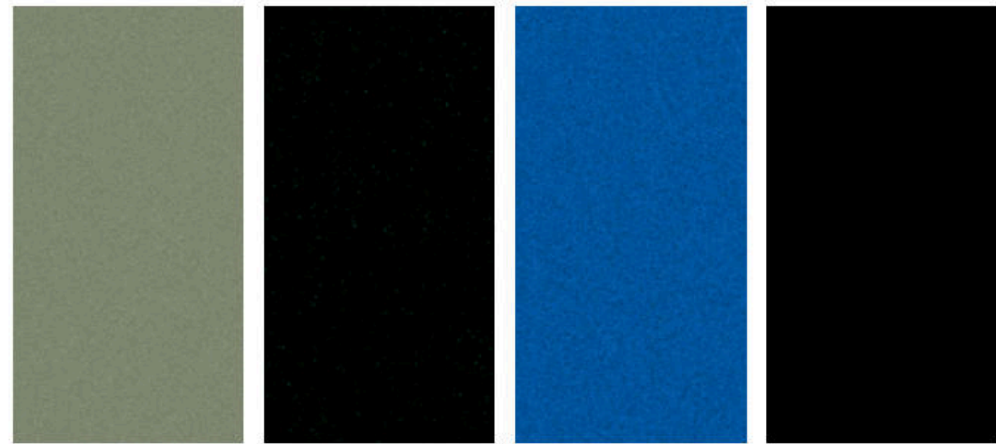
Black Leather ³	<input type="checkbox"/>	<input type="checkbox"/>	<input type="checkbox"/>
Hai Gray Leather ^{3,8}	<input type="checkbox"/>	<input type="checkbox"/>	<input type="checkbox"/>
Kuro Night Leather ^{3,8}	<input type="checkbox"/>	<input type="checkbox"/>	<input type="checkbox"/>
Red Amber Leather ^{3,8}	<input type="checkbox"/>	<input type="checkbox"/>	<input type="checkbox"/>
Mori Green Leather ³	<input type="checkbox"/>	<input type="checkbox"/>	<input type="checkbox"/>
Black/Red Leather ³	<input type="checkbox"/>	<input type="checkbox"/>	<input type="checkbox"/>

Black Leather ³	<input type="checkbox"/>	<input type="checkbox"/>	<input type="checkbox"/>
Hai Gray Leather ^{3,8}	<input type="checkbox"/>	<input type="checkbox"/>	<input type="checkbox"/>
Kuro Night Leather ^{3,8}	<input type="checkbox"/>	<input type="checkbox"/>	<input type="checkbox"/>
Red Amber Leather ^{3,8}	<input type="checkbox"/>	<input type="checkbox"/>	<input type="checkbox"/>
Mori Green Leather ³	<input type="checkbox"/>	<input type="checkbox"/>	<input type="checkbox"/>
Black/Red Leather ³	<input type="checkbox"/>	<input type="checkbox"/>	<input type="checkbox"/>

Black Leather ³	<input type="checkbox"/>	<input type="checkbox"/>	<input type="checkbox"/>
Hai Gray Leather ^{3,8}	<input type="checkbox"/>	<input type="checkbox"/>	<input type="checkbox"/>
Kuro Night Leather ^{3,8}	<input type="checkbox"/>	<input type="checkbox"/>	<input type="checkbox"/>
Red Amber Leather ^{3,8}	<input type="checkbox"/>	<input type="checkbox"/>	<input type="checkbox"/>
Mori Green Leather ³	<input type="checkbox"/>	<input type="checkbox"/>	<input type="checkbox"/>
Black/Red Leather ³	<input type="checkbox"/>	<input type="checkbox"/>	<input type="checkbox"/>

Standard
 Part of Premium Interior Package

Nissan has taken care to ensure that the color swatches presented here are the closest possible representations of actual vehicle colors. Swatches may vary slightly due to the printing process and whether viewed in daylight, fluorescent or incandescent light. Please see the actual colors at your dealer.



Millennium Jade[®]

Midnight Purple[®]

Bayside Blue[®]

Jet Black Pearl

PREMIUM T-SPEC[®] NISMO[®]

PREMIUM T-SPEC[®] NISMO[®]

PREMIUM T-SPEC[®] NISMO[®]

PREMIUM T-SPEC[®] NISMO[®]

Black Leather ³	<input type="checkbox"/>	<input type="checkbox"/>	<input type="checkbox"/>
Hai Gray Leather ^{3,8}	<input type="checkbox"/>	<input type="checkbox"/>	<input type="checkbox"/>
Kuro Night Leather ^{3,8}	<input type="checkbox"/>	<input type="checkbox"/>	<input type="checkbox"/>
Red Amber Leather ^{3,8}	<input type="checkbox"/>	<input type="checkbox"/>	<input type="checkbox"/>
Mori Green Leather ³	<input type="checkbox"/>	<input type="checkbox"/>	<input type="checkbox"/>
Black/Red Leather ³	<input type="checkbox"/>	<input type="checkbox"/>	<input type="checkbox"/>

Black Leather ³	<input type="checkbox"/>	<input type="checkbox"/>	<input type="checkbox"/>
Hai Gray Leather ^{3,8}	<input type="checkbox"/>	<input type="checkbox"/>	<input type="checkbox"/>
Kuro Night Leather ^{3,8}	<input type="checkbox"/>	<input type="checkbox"/>	<input type="checkbox"/>
Red Amber Leather ^{3,8}	<input type="checkbox"/>	<input type="checkbox"/>	<input type="checkbox"/>
Mori Green Leather ³	<input type="checkbox"/>	<input type="checkbox"/>	<input type="checkbox"/>
Black/Red Leather ³	<input type="checkbox"/>	<input type="checkbox"/>	<input type="checkbox"/>

Black Leather ³	<input type="checkbox"/>	<input type="checkbox"/>	<input type="checkbox"/>
Hai Gray Leather ^{3,8}	<input type="checkbox"/>	<input type="checkbox"/>	<input type="checkbox"/>
Kuro Night Leather ^{3,8}	<input type="checkbox"/>	<input type="checkbox"/>	<input type="checkbox"/>
Red Amber Leather ^{3,8}	<input type="checkbox"/>	<input type="checkbox"/>	<input type="checkbox"/>
Mori Green Leather ³	<input type="checkbox"/>	<input type="checkbox"/>	<input type="checkbox"/>
Black/Red Leather ³	<input type="checkbox"/>	<input type="checkbox"/>	<input type="checkbox"/>

Black Leather ³	<input type="checkbox"/>	<input type="checkbox"/>	<input type="checkbox"/>
Hai Gray Leather ^{3,8}	<input type="checkbox"/>	<input type="checkbox"/>	<input type="checkbox"/>
Kuro Night Leather ^{3,8}	<input type="checkbox"/>	<input type="checkbox"/>	<input type="checkbox"/>
Red Amber Leather ^{3,8}	<input type="checkbox"/>	<input type="checkbox"/>	<input type="checkbox"/>
Mori Green Leather ³	<input type="checkbox"/>	<input type="checkbox"/>	<input type="checkbox"/>
Black/Red Leather ³	<input type="checkbox"/>	<input type="checkbox"/>	<input type="checkbox"/>

CHOOSE YOUR INTERIOR



GT-R[®] Premium shown in Red Amber Semi-aniline Leather³



Black Leather³/Synthetic-suede Inserts Premium

Hai Gray Semi-aniline Leather^{3,8} Premium Interior Package

Kuro Night Semi-aniline Leather^{3,8} Premium Interior Package

Red Amber Semi-aniline Leather^{3,8} Premium Interior Package

Mori Green Semi-aniline Leather³/Synthetic-suede Inserts T-spec

Black Leather³/Red Synthetic-suede Inserts NISMO

CHOOSE YOUR TRIM LEVEL

PREMIUM

- 3.8-liter twin-turbocharged V6 engine
- Dual-clutch 6-speed transmission
- ATTESA E-TS® All-Wheel Drive
- 20" RAYS® forged-alloy wheels
- Dunlop® SP Sport MAXX® GT 600 DSST CTT high-performance run-flat tires¹⁰
- Nissan/Brembo® braking system
- Bilstein® DampTronic® suspension system
- Vehicle Dynamic Control (VDC) with three driver-selectable modes¹¹
- Titanium exhaust
- Multi-LED headlights with signature lighting
- NissanConnect® 8" touch-screen display¹²
- Nissan Navigation System¹³
- NissanConnect® Services powered by SiriusXM¹²
- Apple CarPlay® integration¹²
- Driver-configurable Multi-Function Display system²
- Leather-appointed front seats with synthetic-suede inserts
- Bose Premium Audio System with 11 speakers, including dual woofers
- Active Noise Cancellation
- Active Sound Enhancement

AVAILABLE PACKAGE:

- Premium Interior Package

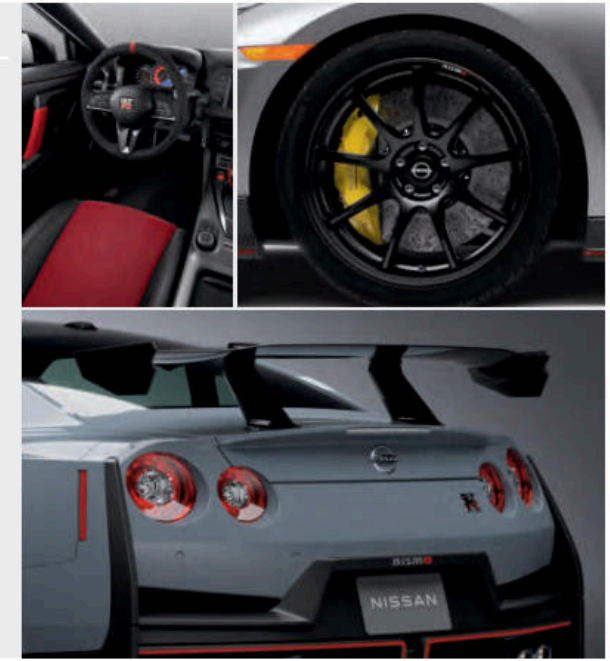


NISMO® INCLUDES PREMIUM EQUIPMENT PLUS:

- NISMO-tuned 3.8-liter twin-turbocharged V6 engine
- Nissan/Brembo® Carbon Ceramic Braking System
- NISMO-tuned suspension
- 20" NISMO black RAYS® forged-alloy wheels
- Dunlop® SP Sport MAXX® GT 600 DSST CTT (NR1) high-performance run-flat tires¹⁰
- Body bonding to key spot welds
- NISMO aerodynamic body design – carbon-fiber front and rear fascias, side sills, trunk lid, and rear spoiler⁷
- Carbon-fiber hood, front fenders, and trunk lid⁷
- Clear-coated carbon-fiber roof⁷
- Front fender air outlets
- NISMO tachometer
- NISMO Recaro® leather-appointed front seats with red synthetic-suede inserts
- NISMO Black/Red interior treatment
- NISMO Alcantara®-wrapped steering wheel and gauge hood

AVAILABLE PACKAGE:

- NISMO Appearance Package



T-spec® INCLUDES PREMIUM EQUIPMENT PLUS:

- Nissan/Brembo® Carbon Ceramic Braking System
- 20" T-spec gold-painted RAYS® forged-alloy wheels
- Semi-aniline leather-appointed front seats with synthetic-suede inserts
- T-spec Mori Green with gold stitching interior treatment
- Quilted Alcantara® headliner
- T-spec unique kick plates
- T-spec badges

T-SPEC EXCLUSIVE COLORS:

- Midnight Purple (shown) and Millennium Jade



PREMIUM INTERIOR PACKAGE

- Hand-stitched semi-aniline leather-appointed front seats
- Hand-stitched semi-aniline leather interior treatments



NISMO APPEARANCE PACKAGE

- NISMO Special Edition Takumi certification plate
- 20" NISMO Special Edition black RAYS® forged-alloy wheels
- Clear-coated carbon-fiber hood⁷



GENUINE NISSAN ACCESSORIES

Because you're not driving a car, you're driving a legend

Every Genuine Nissan Accessory is custom-fit, custom-designed, and durability-tested. Each one is backed by Nissan's 3-year/36,000-mile (whichever occurs first) limited warranty (if installed by dealer at the time of new vehicle purchase) and can be financed when installed by dealer at time of new vehicle purchase.¹⁴

For more information and to shop online for GT-R® Genuine Nissan Accessories, go to bit.ly/24GTR-Accys

CHOOSE YOUR ACCESSORIES



When you're driving a legend, you deserve to show your own personal sense of style – from subtle touches to special items that will wow your envious passengers.

A. Premium Sport Floor Mats w/ Carbon Fiber Inserts (2-piece set)

The ultimate mat for the ultimate supercar.

B. GT-R Pullover

Make a style statement as bold as your GT-R. To shop online for GT-R merchandise, go to bit.ly/Nissan-GTR-Collection.

C. Standard Tool Kit

This 7-piece kit includes a flathead screwdriver, Phillips screwdriver, pliers, two box-end wrenches, a flashlight, and a pair of gloves – all in a stylish case.

D. Chrome Jack w/ GT-R Logo

Exquisitely detailed, it will give you a lift every time you look at it.

E. Carpeted Floor Mats (2-piece set)

Protect your legend with style and comfort.

F. Jack Rod

Works with Chrome Jack w/ GT-R Logo. Helps give your GT-R a lift.

G. Emergency Road Kit

Ready for life's little uncertainties.

H. GT-R Owner's Manual Portfolio

Keep your owner's manual in one convenient case.

Additional Accessories:

- USB Charging Cable Set¹⁵
- Wheel Locks
- Wheel Locks Spin Collar

SPECIFICATIONS

Engines	PREM	T-spec ¹	NISMO ²
3.8-liter DOHC 24-valve twin-turbocharged V6 565 horsepower @ 6,800 rpm 467 lb-ft of torque @ 3,300-5,800 rpm	■	■	
NISMO-tuned 3.8-liter DOHC 24-valve twin-turbocharged V6 600 horsepower @ 6,800 rpm 481 lb-ft of torque @ 3,600-5,800 rpm			■
T-spec exclusive engine cover		■	
NISMO Special Edition Takumi certification plate			N

Drivetrain	PREM	T-spec ¹	NISMO ²
ATTESSA E-TS [®] All-Wheel Drive (AWD) with patented independent rear-mounted transaxle	■	■	■
Dual-clutch 6-speed transmission with paddle shifters	■	■	■
Downshift Rev Matching	■	■	■
1.5-way mechanical front limited-slip differential			■
1.5-way mechanical rear limited-slip differential	■	■	■

Brakes	PREM	T-spec ¹	NISMO ²
Nissan/Brembo [®] braking system	■		
Nissan/Brembo [®] Carbon Ceramic Braking System		■	■
15.35" front/15.0" rear two-piece floating rotors with diamond-pattern internal ventilation	■		
16.14" front/15.35" rear carbon ceramic two-piece floating rotors with diamond-pattern internal ventilation		■	■
6-piston front/4-piston rear monoblock calipers	■		
Super-rigid 6-piston front/4-piston rear monoblock calipers		■	■
Anti-lock Braking System (ABS)	■	■	■
Electronic Brake force Distribution (EBD)	■	■	■

Suspension/Steering	PREM	T-spec ¹	NISMO ²
Double-wishbone front suspension with aluminum arms	■	■	■
Multi-link rear suspension with aluminum arms	■	■	■
Rigid front and rear suspension subframes, with 6-point mounting	■	■	■
Bilstein [®] DampTronic [®] suspension system	■	■	■
NISMO-tuned suspension			■
Hollow front and rear stabilizer bars	■	■	■
NISMO-tuned 17.3 mm hollow rear stabilizer bar			■
Vehicle-speed-sensitive power steering	■	■	■
2.4 steering-wheel turns lock-to-lock	■	■	■

Driver Assistance Technologies	PREM	T-spec ¹	NISMO ²
Cruise control	■	■	■
RearView Monitor ¹⁶	■	■	■
Front and Rear Sonar System ¹⁷	■	■	■
Vehicle Dynamic Control (VDC) with three driver-selectable modes ¹¹	■	■	■
Traction Control System (TCS)	■	■	■
Hill start assist	■	■	■

Wheels/Tires	PREM	T-spec ¹	NISMO ²
20" x 9.5" front / 20" x 10.5" rear RAYS [®] forged-alloy wheels	■		
20" x 10.0" front / 20" x 10.5" rear T-spec gold-painted RAYS [®] forged-alloy wheels		■	

Wheels/Tires (continued)	PREM	T-spec ¹	NISMO ²
20" x 10.0" front / 20" x 10.5" rear NISMO black RAYS [®] forged-alloy wheels			■
20" x 10.0" front / 20" x 10.5" rear NISMO Special Edition black RAYS [®] forged-alloy wheels			N
255/40ZRF20 front and 285/35ZRF20 rear Dunlop [®] SP Sport MAXX [®] GT 600 DSST CTT high-performance run-flat tires ¹⁰	■	■	
255/40ZRF20 front and 285/35ZRF20 rear Dunlop [®] SP Sport MAXX [®] GT 600 DSST CTT (NR1) high-performance run-flat tires ¹⁰			■

Chassis	PREM	T-spec ¹	NISMO ²
Premium Midship (PM) platform	■	■	■
Hybrid unibody structure	■	■	■
Body bonding to key spot welds			■

Exterior Features	PREM	T-spec ¹	NISMO ²
Carbon-fiber hood, front fenders, and trunk lid ⁷			■
Clear-coated carbon-fiber roof ⁷			■
Clear-coated carbon-fiber hood ⁷			N
Carbon-fiber engine chassis brace	■	■	■
Aerodynamic undertrays	■	■	■
Body-color rear spoiler	■	■	■
NISMO aerodynamic body design — carbon-fiber front and rear fascias, side sills, trunk lid, and rear spoiler ⁷			■
Front fender air outlets	■	■	■
Side air vents	■	■	■
Multi-LED headlights with signature lighting	■	■	■
LED Daytime Running Lights and LED taillights	■	■	■
Titanium exhaust	■	■	■

Comfort/Convenience	PREM	T-spec ¹	NISMO ²
Nissan Intelligent Key [®] with Push Button Ignition	■	■	■
HomeLink [®] Universal Transceiver	■	■	■
Dual Zone Automatic Temperature Control	■	■	■
In-cabin microfilter	■	■	■
Power front windows with one-touch auto-up/down	■	■	■
Power door locks with auto-locking feature	■	■	■
Tilt/telescoping steering column with integrated gauges	■	■	■
Variable-intermittent speed-sensitive windshield wipers	■	■	■
Auto-dimming inside rearview mirror	■	■	■
Two 12-volt DC power outlets ¹⁸	■	■	■

Seating/Appointments	PREM	T-spec ¹	NISMO ²
Leather-appointed front seats with synthetic-suede inserts	■		
Hand-stitched semi-aniline leather-appointed front seats	P		
Semi-aniline leather-appointed front seats with synthetic-suede inserts		■	
NISMO Recaro [®] leather-appointed front seats with synthetic-suede inserts			■
Heated front seats	■	■	■
Hand-stitched semi-aniline leather interior treatments	P		
T-spec Mori Green with gold stitching interior treatment		■	

Seating/Appointments (continued)	PREM	T-spec ¹	NISMO ²
NISMO Black/Red interior treatment			■
Quilted Alcantara [®] headliner		■	
NISMO Alcantara [®] -wrapped steering wheel and gauge hood			■
NISMO tachometer			■
Aluminum-trimmed pedals	■	■	■
T-spec unique kick plates and badges		■	

Infotainment	PREM	T-spec ¹	NISMO ²
Electronic analog instrument cluster with upshift indicator, vehicle information display, and digital gear indicator	■	■	■
Driver-configurable Multi-Function Display system with graphical readouts of vehicle and driving data displayed on a total of six screens ²	■	■	■
NissanConnect [®] 8" touch-screen display ¹²	■	■	■
Display Commander	■	■	■
Nissan Navigation System ¹³	■	■	■
SiriusXM Traffic and Travel Link with 3-month trial included ¹²	■	■	■
NissanConnect [®] Services powered by SiriusXM with trial access to 3-year Select, 3-year Premium, and 6-month Premium Plus packages ¹²	■	■	■
Voice Recognition for audio and navigation ¹³	■	■	■
Apple CarPlay [®] integration ¹²	■	■	■
Hands-free Text Messaging Assistant ¹⁹	■	■	■
Bluetooth [®] Hands-free Phone System ¹²	■	■	■
Bose Premium Audio System with 11 speakers, including dual woofers	■	■	■
Active Noise Cancellation	■	■	■
Active Sound Enhancement	■	■	■
Steering wheel-mounted audio controls	■	■	■
Speed-sensitive volume control	■	■	■
Two USB ports ¹⁵	■	■	■
SiriusXM with 3-month trial access ¹²	■	■	■
Streaming Audio via Bluetooth [®] wireless technology ¹²	■	■	■

Safety/Security	PREM	T-spec ¹	NISMO ²
Nissan Advanced Air Bag System with dual-stage supplemental front air bags with seat belt and occupant-classification sensors ²⁰	■	■	■
Driver and front-passenger side-impact supplemental air bags ²⁰	■	■	■
Roof-mounted curtain side-impact supplemental air bags for front occupant head protection ²⁰	■	■	■
Front seat belts with pretensioners and load limiters	■	■	■
LATCH System (Lower Anchors and Tethers for Children)	■	■	■
Zone Body construction with front and rear crumple zones	■	■	■
Hood-buckling creases and energy-absorbing steering column	■	■	■
Tire Pressure Monitoring System (TPMS) with individual tire pressure display ²¹	■	■	■
Nissan Vehicle Immobilizer System	■	■	■
Vehicle Security System	■	■	■

■ Standard P Part of Premium Interior Package N Part of NISMO Appearance Package

PACKAGES

Premium Interior Package
Hand-stitched semi-aniline leather-appointed front seats
Hand-stitched semi-aniline leather interior treatments
NISMO Appearance Package
NISMO Special Edition Takumi certification plate
20" NISMO Special Edition black RAYS [®] forged-alloy wheels
Clear-coated carbon-fiber hood ⁷

DIMENSIONS/CAPACITIES/MPG

Dimensions	
Exterior – inches	
Wheelbase	109.4
Overall width	74.6
Track width (front/rear)	62.6/63.0; 63.0/63.0 T-spec, NISMO
Overall length	185.4; 184.6 NISMO
Overall height	53.9

Interior (front/rear) – inches			
Head room	38.1/33.5	Hip room	54.7/44.9
Leg room	44.6/26.4	Shoulder room	54.3/50.0

Capacities	
Seating capacity	4 Interior passenger vol. (cu. ft.) 79.0
Cargo vol. (cu. ft.) ²²	8.8 Fuel tank (gals.) 19.5

2024 EPA Fuel Economy Estimates ⁵			
	Premium	T-spec	NISMO
City/Hwy/Combined MPG	16/22/18	16/22/18	16/22/18

NISSAN ROADSIDE ASSISTANCE

Your peace of mind is on us. For 36 months or 36,000 miles, whichever comes first, your new Nissan vehicle is covered for the following:²³

- Flat-tire changes
- Trip Interruption benefits
- Jump starts
- Vehicle lockouts
- Emergency fuel delivery

Follow Nissan on:



visit [NissanUSA.com/GT-R](https://www.nissanusa.com/GT-R)
PRINTED IN USA



Sign up to get the latest on
Nissan vehicles, news, and events.

<https://www.nissanusa.com/brochures/request-brochure.html>