

NISSAN INTELLIGENT MOBILITY™

Nissan Intelligent Mobility guides everything we do. We're using new technologies to transform cars from mere driving machines into assistants. Together the journey is more confident, connected, and exciting. Whether it's cars that assist in the driving task, or highways that charge your EV as you go along, it's all in the very near future. And it's a future already taking shape in the Nissan you drive today.

SEE TITAN®/TITAN XD® COME TO LIFE

Go to NissanUSA.com and find an interactive brochure for TITAN, TITAN XD, and every Nissan in the lineup. Available on desktop, smartphone, or tablet, it's the full product story – including demos, videos, and complete info on trims, colors, and accessories.




Innovation
that excites

2019
TITAN®
TITAN XD®



Segmentation and Small Pickup Segmentation v. 2019 TITAN and TITAN XD. Nissan's New Vehicle Limited Warranty basic coverage excludes tires, corrosion coverage and federal and California emission performance and defect coverage. Other terms and conditions also apply. See dealer for complete warranty details. Warranty claim is current at time of printing. ⁴Maximum payload capacity when properly equipped. Maximum payload of up to: 1,570 lbs. for 2019 TITAN® Crew Cab 4x2; 1,620 lbs. for 2019 TITAN Crew Cab 4x4; 1,640 lbs. for 2019 TITAN King Cab® 4x2; 1,630 lbs. for 2019 TITAN King Cab 4x4; 1,850 lbs. for 2019 TITAN Single Cab 4x2; 1,930 lbs. for 2019 TITAN Single Cab 4x4. Payload capacity varies by configuration. See Nissan Towing Guide and Owner's Manual for additional information. ⁵2019 TITAN® Single Cab 4x4 not shown. ⁶Please follow Towing Guidelines. Maximum towing capacity when properly equipped. Maximum towing of up to: 9,380 lbs. for 2019 TITAN® Crew Cab 4x2; 9,240 lbs. for 2019 TITAN Crew Cab 4x4; 9,450 lbs. for 2019 TITAN King Cab® 4x2; 9,250 lbs. for 2019 TITAN King Cab 4x4; 9,660 lbs. for 2019 TITAN Single Cab 4x2; 9,540 lbs. for 2019 TITAN Single Cab 4x4. Towing capacity varies by configuration. See Nissan Towing Guide and Owner's Manual for additional information. ⁷2019 TITAN® Single Cab 4x2 not shown. ⁸2019 TITAN XD® Single Cab 4x2 with Endurance® V8 gas engine not shown. ⁹2019 TITAN XD® Single Cab 4x2 with Cummins® V8 diesel engine not shown. ¹⁰Please follow Towing Guidelines. Towing capability varies by configuration. See Nissan Towing Guide and Owner's Manual for additional information. ¹¹Available feature. ¹²Intelligent Around View® Monitor cannot eliminate blind spots and may not detect every object. Driver should always turn and check surroundings before driving. See Owner's Manual for safety information. ¹³Virtual composite 360° view. ¹⁴Cargo shown for display purposes only. Cargo and load capacity limited by weight and distribution. Always secure all cargo. Heavy loading of the vehicle with cargo, especially on the roof, will affect the handling and stability of the vehicle. ¹⁵Driving is serious business and requires your full attention. If you have to use the feature while driving, exercise extreme caution at all times so full attention may be given to vehicle operation. ¹⁶Information displayed is dependent on how vehicle is equipped. ¹⁷Tire Pressure Monitoring System is not a substitute for regular tire pressure checks. See Owner's Manual for safety information. ¹⁸Sonar System may not detect every object. Driver should always check surroundings before driving. See Owner's Manual for safety information. ¹⁹Available services/features may be shown. Compatible connected device may be required. Only use services/features and device when safe and legal to do so. Subject to GPS and wireless network availability and connection, and system/technology limitations. Text rates/data usage/subscription may apply. Some services/features provided by companies not within Nissan or its partners' or agents' control and may be discontinued at any time. For more information, see dealer, Owner's Manual, or NissanUSA.com/connect/important-information. ²⁰Driving is serious business and requires your full attention. If you have to use the connected device while driving, exercise extreme caution at all times so full attention may be given to vehicle operation. ²¹Zero Gravity seats for outboard passengers only. ²²Availability of features vary by vehicle model year, model, trim level, packaging, and options. ²³Blind Spot Warning cannot prevent collisions and may not detect every object or warn in all situations. Driver should always turn and look before changing lanes. See Owner's Manual for safety information. ²⁴Rear Cross Traffic Alert may not detect all vehicles. See Owner's Manual for safety information. ²⁵State laws may apply. Review before using. ²⁶Extra cost option. ²⁷King Cab® and Crew Cab only. ²⁸TITAN® SV Crew Cab only. ²⁹Two-tone paint is standard. ³⁰Two-tone paint is standard. Monotone paint is available, and requires Monotone paint package. ³¹PRO-4X® requires Monotone paint package. ³²Midnight Edition Crew Cab only. ³³Use Hands Free Text Messaging when parked in a safe location. If you must use while driving, monitor traffic conditions and keep both hands on the steering wheel to prevent collisions. Compatible device required. Message and data rates may apply. ³⁴RearView Monitor may not detect every object and does not eliminate blind spots or warn of moving objects. See Owner's Manual for safety information. ³⁵Vehicle Dynamic Control cannot prevent collisions due to abrupt steering, carelessness, or dangerous driving techniques. It should remain on when driving, except when freeing the vehicle from mud or snow. See Owner's Manual for safety information. ³⁶See Owner's Manual for safety information. ³⁷Never program while driving. GPS mapping may not be detailed in all areas or reflect current road status. ³⁸King Cab® models equipped with 10 speakers. ³⁹TITAN®/TITAN XD® King Cab® Seat Delete package component deletion is dependent on how the truck is equipped. See your Nissan dealer for complete details. ⁴⁰Genuine Nissan Accessories are covered by Nissan's Limited Warranty on Genuine Nissan Replacement Parts, Genuine NISMO® S-Tune Parts, and Genuine Nissan Accessories for the longer of 12 months/12,000 miles (whichever occurs first) or the remaining period under the 5-year/100,000-mile (whichever occurs first) Nissan New Vehicle Limited Warranty. Terms and conditions apply. See dealer, Warranty Information Booklet, or parts.NissanUSA.com for details. ⁴¹Nissan Affiliated Program Accessory shown. Nissan Affiliated Program Accessories are covered by the individual respective manufacturer of the Affiliated Program Accessory. Ask your dealer about limited warranty coverage for Nissan Affiliated Accessories. ⁴²Non-XD TITAN® SL only. ⁴³SL only. ⁴⁴Brake Assist cannot prevent all collisions and may not provide warning or braking in all conditions. Driver should monitor traffic conditions and brake as needed to prevent collisions. See Owner's Manual for safety information. ⁴⁵Single Cab models only. ⁴⁶Excludes King Cab® with Seat Delete Package. ⁴⁷Air bags are only a supplemental restraint system. Always wear your seat belt. Rear-facing child restraints should not be placed in the front-passenger's seat. All children 12 and under should ride in the rear seat properly secured in child restraints, booster seats, or seat belts according to their size. Air bags will only inflate in certain accidents. See Owner's Manual for safety information. ⁴⁸Vehicle must be on for the Easy-Fill Tire Alert to operate. ⁴⁹2019 EPA Fuel Economy Estimates. Actual mileage may vary with driving conditions. Use for comparison only. ⁵⁰For a period of 36 months/36,000 miles from the date the vehicle is delivered to the first retail buyer or otherwise put into use, whichever is earlier. Aisin® is a registered trademark of Aisin Seiki Kabushiki Corporation. Android Auto™ is a trademark of Google LLC. Apple CarPlay® is a registered trademark of Apple, Inc. Bilstein® is a registered trademark of ThyssenKrupp Bilstein GmbH. Bluetooth® word mark and logos are owned by Bluetooth SIG, Inc., and any use of such marks by Nissan is under license. Bosch® is a registered trademark of Robert Bosch GmbH Corporation. Cummins® is a registered trademark of Cummins Inc. Facebook® is a registered trademark of Facebook, Inc. Fender® is a registered trademark of Fender Musical Instruments. HomeLink® is a registered trademark of Gentex Corporation. Siri® and Siri® Eyes Free are registered trademarks of Apple, Inc. The Sirius®, XM®, and SiriusXM® names and all related marks and logos are trademarks of Sirius XM Radio Inc. Twitter® is a registered trademark of Twitter, Inc. YouTube® is a registered trademark of Google Inc. This brochure is intended for general descriptive and informational purposes only. It is subject to change and does not constitute an offer, representation or warranty (express or implied) by Nissan North America, Inc. Interested parties should confirm the accuracy of any information in this brochure as it relates to a vehicle directly with Nissan North America, Inc., before relying on it to make a purchase decision. Nissan North America, Inc., reserves the right to make changes, at any time, without prior notice, in prices, colors, materials, equipment, specifications, and models and to discontinue models or equipment. Due to continuous product development and other pre- and post-production factors, actual vehicle, materials and specifications may vary from this brochure. Some vehicles shown with optional equipment. See the actual vehicle for complete accuracy. Availability and delivery times for particular models or equipment may vary. Specifications, options and accessories may differ in Hawaii, U.S. territories and other countries. For additional information on availability, options or accessories, see your Nissan dealer or contact Nissan North America, Inc. At NissanUSA.com, you'll find virtual product demonstrations, a way to "build your own Nissan," a dealer locator, and more information about key Nissan support services. Or if you'd prefer, call 1-800-NISSAN-3 for answers to specific questions about TITAN®/TITAN XD® or any other Nissan vehicle. The Nissan names, logos, product names, feature names, and slogans are trademarks owned by or licensed to Nissan Motor Co. Ltd. and/or its North American subsidiaries. Other trademarks and trade names are those of their respective owners. **Always wear your seat belt, and please drive responsibly.** ¹⁹ TITAN® 1922561-N-10/18-75M-CGI



TITAN®
Crew Cab PRO-4X®

TITAN XD®
Single Cab S

TITAN
King Cab® SV

TITAN
MIDNIGHT
EDITION

TITAN XD
Crew Cab Platinum Reserve

Massive jobs require the right tools, and with TITAN and TITAN XD, you've got them. Up to 2,990 lbs. of maximum payload,¹ and up to 12,710 lbs. of maximum towing capacity.² You work smarter too, with a choice of three cabs, an incredibly capable truck bed, advanced technology that redefines towing,² and comfort and convenience that makes this one premium ride. The 2019 Nissan TITAN and TITAN XD. Truckloads of capability. Tech that moves you.

America's Best Truck Warranty
5 YEARS/100,000 MILES³
BUMPER-TO-BUMPER WARRANTY

TITAN and TITAN XD.
See dealer for limited warranty details.

TITAN[®] EPIC STRENGTH

The TITAN of Trucks is built to work, and work hard. You've got massive power, a 7-speed transmission, and 4-wheel ventilated disc brakes. Underneath, a reinforced frame and rugged components. Add in a bold look, an interior that would make a luxury sedan jealous, and advanced technology, and the TITAN is ready to take on just about whatever you need. And if you need even more groundbreaking performance - check out the TITAN XD.

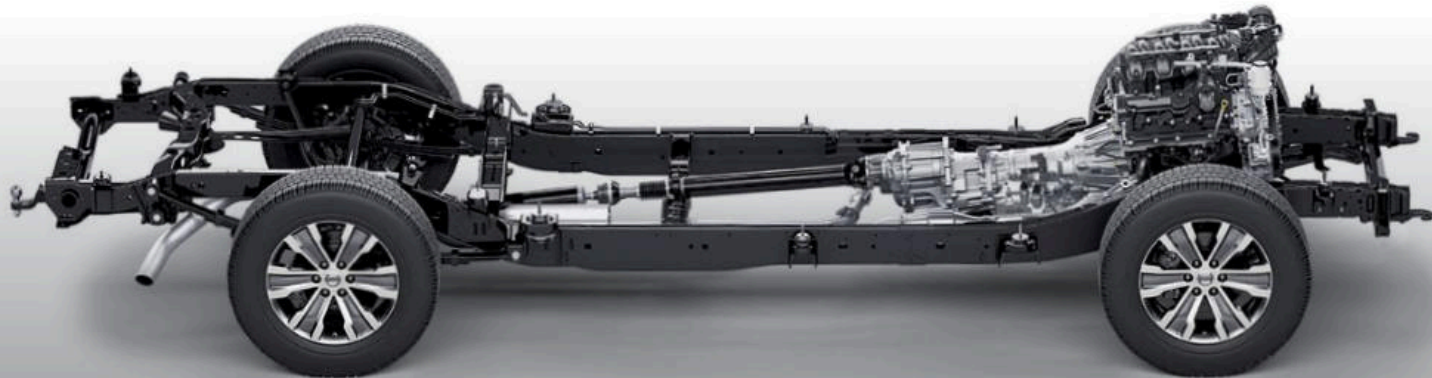
390-hp 5.6-L
Endurance[®] V8

Reinforced, Fully
Boxed, Full-length
Ladder Frame

Maximum Payload:
Crew Cab up to
1,620-lb.⁴
Single Cab (not shown⁵)
up to 1,930-lbs.⁴

Maximum Towing:
Crew Cab up to
9,240 lbs.⁶
Single Cab (not shown⁷)
up to 9,660-lbs.⁶

4-wheel
Ventilated Disc
Brakes



TITAN XD[®] MASSIVE CAPABILITIES

Just imagine what you can do with TITAN XD. It all starts with a solid core, and TITAN XD lays the groundwork with a full-length, fully boxed ladder frame, reinforced in key areas for incredible lateral rigidity. From there, we attach components, many of them tried and proven from our Nissan Commercial Vehicles program. It all adds up to strength, durability, and reliability you can count on for years to come.

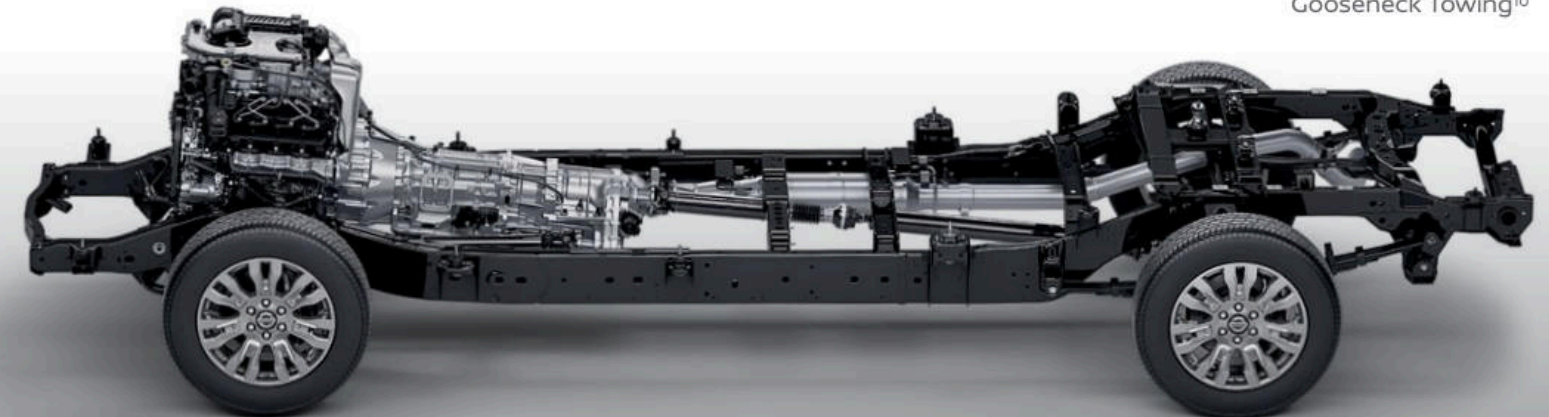
Available 5.0-L
Cummins[®] V8
Turbo Diesel

Reinforced, Fully
Boxed, Full-length
Ladder Frame with
Commercial Grade
Components

Maximum Payload:
Crew Cab up to
1,920-lbs.¹
Single Cab (not shown⁸)
up to 2,990-lbs.¹

Maximum Towing:
Crew Cab up to
11,960 lbs.²
Single Cab (not shown⁹)
up to 12,710-lbs.²

Available
Gooseneck Towing¹⁰





Nissan TITAN® King Cab® SV 4x4 shown.⁹

TITAN XD
5.0-L CUMMINS® TURBO DIESEL

Legendary power, reliability, and efficiency. Under TITAN XD's hood beats the heart of a beast – an available 5.0-liter V8 turbo diesel built by legendary manufacturer Cummins.[®] Boasting a 4-valve-per-cylinder DOHC design, with a two-stage turbo and ceramic glow plugs, it's as modern as it is powerful.

Cummins **310** | **555**
HORSEPOWER | LB-FT OF TORQUE



TITAN XD
AVAILABLE GOOSENECK TOWING

TITAN XD's integrated Gooseneck Hitch and 7-pin in-bed wiring harness give you more ways to tow. Engineered directly into the frame, the hitch is ready to handle the big loads.¹⁰ And when not in use, the ball is removable and stores in a convenient available storage bag.



Nissan TITAN XD® Crew Cab Platinum Reserve 4x4 with Cummins® diesel engine shown.¹⁰



TITAN® / TITAN XD®
5.6-L ENDURANCE® V8 GAS ENGINE

Available on TITAN and TITAN XD, the Endurance® V8 gas engine features Direct Injection, a 4-valve-per-cylinder design, and Variable Valve Event and Lift (VVEL®) technology for power, efficiency, and refinement in a Nissan tested and proven package.

390 | **394**
HORSEPOWER | LB-FT OF TORQUE



NISSAN INTELLIGENT MOBILITY™

ON THE LOOKOUT

With its super-size 7.0" screen, it's easy to use the Intelligent Around View® Monitor to line up to a trailer. And with the system's virtual 360° composite bird's-eye view, you've got enhanced visibility to help you maneuver even in tight spots.^{11, 12, 13}

TOWING MADE EASY

The innovative Trailer Light Check makes it easier to tow - even when you're going solo. Once you've hooked up your trailer, you can easily check all brake light connections by cycling through the lights with your Nissan Intelligent Key®. No muss, no fuss, no help needed.^{10, 11}



MASTER MULTI-TASKER

TITAN® is ready to tackle the tough jobs, with flexible rear-seat storage thanks to a lockable cargo organizer that helps keep things secure and out of sight.^{11, 14} The container's top even folds out to create a flat floor for easy loading.^{11, 14} TITAN's truck bed is a master of bring it, with features like a spray-on bedliner,¹¹ Utili-track® multi-channel system,^{11, 14} 120-V in-bed power outlet,¹¹ and bright LED bed lighting.¹¹



Nissan TITAN XD® Crew Cab Platinum Reserve 4x4 with Cummins® diesel engine shown.²



Nissan TITAN® Single Cab SV 4x4 shown.⁴

TITAN/TITAN XD®
Single Cab - 8'



TITAN/TITAN XD
King Cab® - 6.5'



TITAN
Crew Cab - 5.5'



TITAN XD
Crew Cab - 6.5'



3 AVAILABLE BED LENGTHS

To make sure you have the right equipment for the job, TITAN and TITAN XD give you the flexibility the job requires with 3 available bed lengths, depending on cab configuration.¹⁴



SERIOUSLY EQUIPPED

Epic starts where the pavement ends. And with the PRO-4X model, it's never been more exciting - with a truckload of advanced 4x4 gear, including hill start assist, hill descent control, and 4-wheel ABLs. It keeps getting better, with unique interior trim and competition-grade equipment that reads like a serious off-roader's wish list.

18" All-terrain Tires / Electronic Locking Rear Differential / Bilstein® Off-road Performance Shocks



NISSAN INTELLIGENT MOBILITY™

TECHNICAL CLIMBER

PRO-4X takes advantage of advanced technology to tackle the most challenging conditions. The Advanced Drive-Assist® Display^{11, 15, 16} includes a dedicated off-road display as well as a Tire Pressure Monitoring System.^{11, 17} And the Intelligent Around View® Monitor is a game-changer,^{11, 12} helping you rock-crawl and avoid obstacles you might not otherwise see.



BUILT TO TAKE A BEATING

If you can't go up, over or around, it's good to know that along with oil pan and fuel tank skid plates, PRO-4X adds transfer case and lower radiator skid plates to help protect vital parts.





FIRST CABIN

For 2019, TITAN® and TITAN XD® put your world at your fingertips with enhanced smartphone connectivity,²⁰ and a new class-leading Fender® audio system. Add in features like front and rear Zero Gravity seats²¹ and climate-controlled front seats, and this truck's premium features will spoil you for anything else.



NISSAN INTELLIGENT MOBILITY™

SEE AND SENSE MORE AROUND YOU

Cars can sneak up on you or sit in the blind spot area, and shopping carts can appear out of nowhere. TITAN helps out with a range of available Nissan Intelligent Mobility features that can detect movement around your vehicle, whether you're parked or out on the road.²²

Blind Spot Warning^{11, 23}

Rear Cross Traffic Alert^{11, 24}

Intelligent Around View® Monitor^{11, 12}



NissanConnect SERVICES

POWERED BY SIRIUSXM

Let our people help look after you and your people. With NissanConnect Services,¹⁹ you have a selection of plans and services, including remote engine start access from your compatible smartphone, Alexa, or Google Assistant^{11, 25} to calling for help if the system senses there's been an accident.¹⁹ Hey, that's what friends are for.



EMERGENCY PREPAREDNESS



REMOTE ACCESS



CUSTOMIZABLE ALERTS



CONVENIENCE SERVICES

EVEN THE DETAILS ARE BIG

Space and innovation mean long-term appreciation of the interior. Relocating the shift lever to the steering column puts controls closer to you and creates a huge center console¹¹ - making easy access for driver and passenger alike. Add in little details like a glove compartment lever that's moved towards the center for a quick reach and you might never want to get out.¹⁴



TITAN CREW CAB - A BETTER BACK SEAT

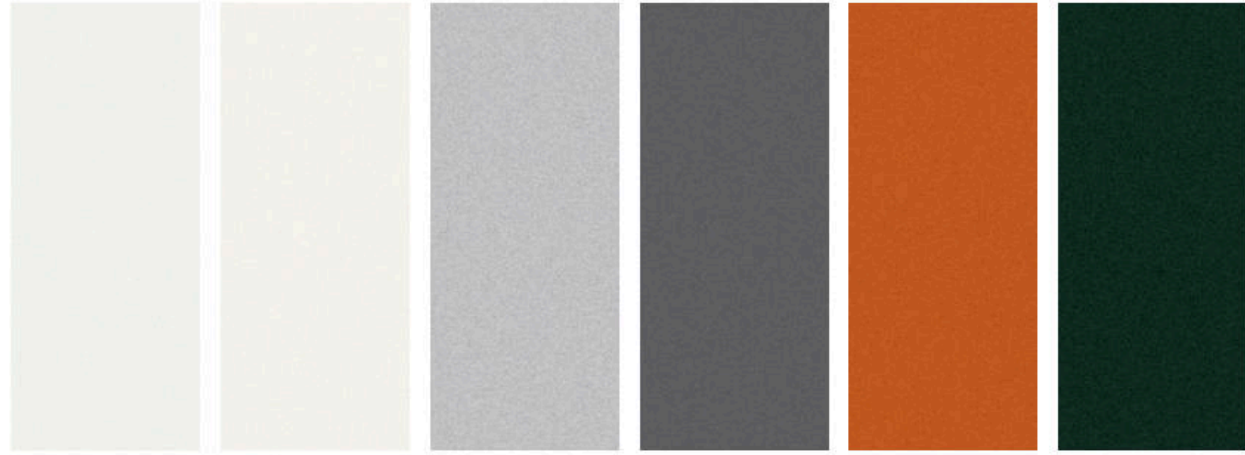
Family, friends, or crew, TITAN and TITAN XD Crew Cab goes a long way to keeping everyone happy in the back seat. Zero Gravity seats simulate weightlessness that can help reduce fatigue, with the added comfort of heated outboard rear seats and dedicated rear vents. There's even a power outlet for charging up.^{11, 20, 21}

Heated Outboard Rear Seats¹¹

120-volt Power Outlet^{11, 20}

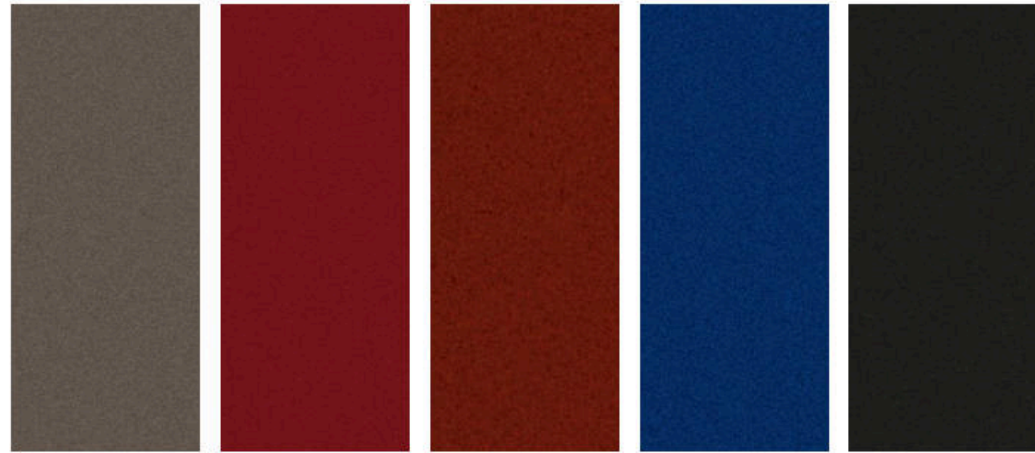
Two Illuminated USB Ports^{11, 20}

CHOOSE YOUR COLOR



Glacier White Pearl White TriCoat²⁶ Brilliant Silver Metallic Gun Metallic Moab Sunset Metallic²⁶ Midnight Pine Metallic

	S	SV	PRO	SL	PR
BLACK CLOTH	<input type="checkbox"/>	<input type="checkbox"/>			
BEIGE CLOTH	<input type="checkbox"/>	<input type="checkbox"/>			
BLACK LEATHER	<input type="checkbox"/>	<input type="checkbox"/>			
BEIGE LEATHER	<input type="checkbox"/>	<input type="checkbox"/>			
BLACK/BROWN LEATHER					<input type="checkbox"/>



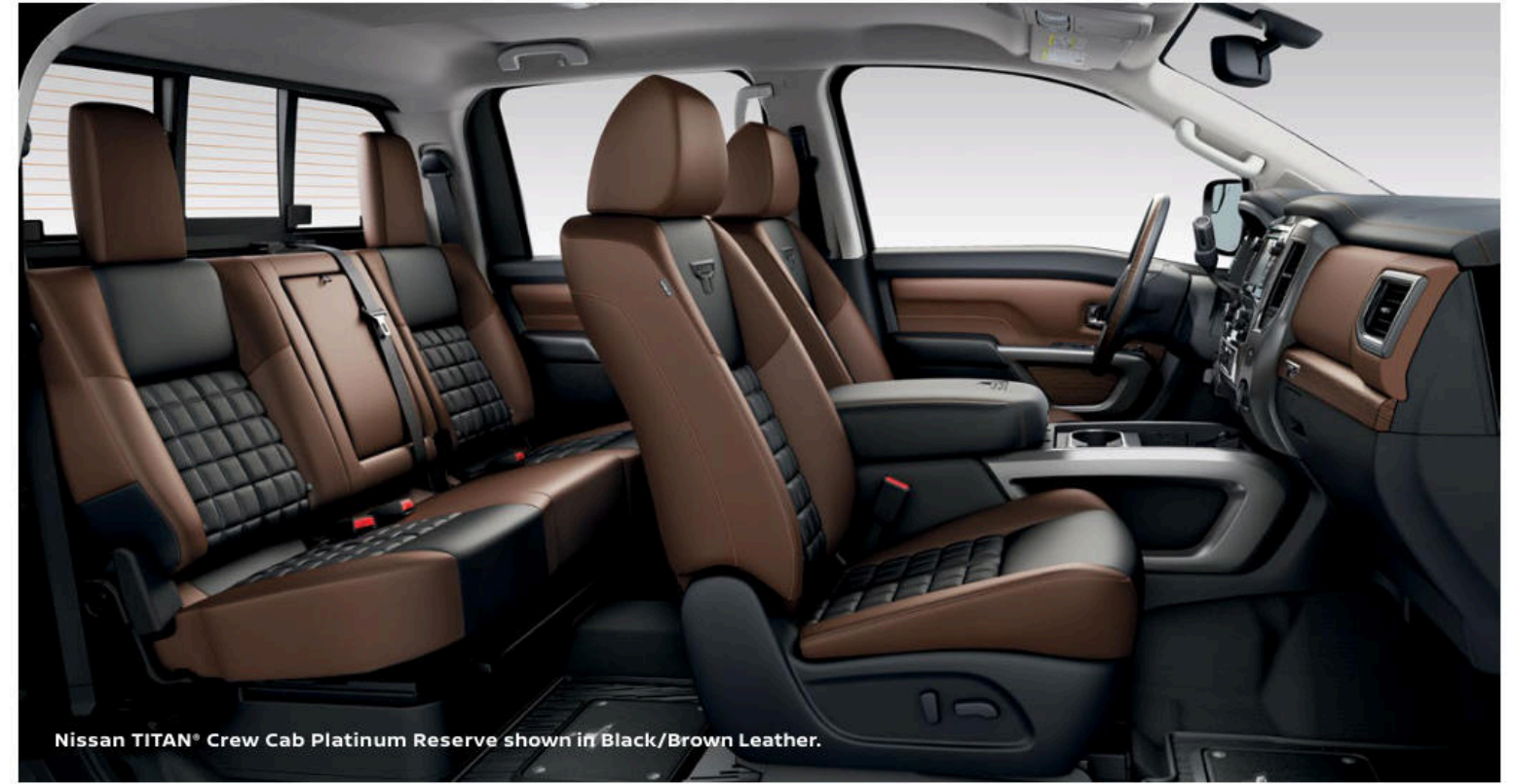
Java Metallic Cayenne Red Metallic Forged Copper Metallic Deep Blue Pearl Magnetic Black Pearl

	S	SV	PRO	SL	PR
BLACK CLOTH	<input type="checkbox"/>	<input type="checkbox"/>			
BEIGE CLOTH	<input type="checkbox"/>	<input type="checkbox"/>			
BLACK LEATHER	<input type="checkbox"/>	<input type="checkbox"/>			
BEIGE LEATHER	<input type="checkbox"/>	<input type="checkbox"/>			
BLACK/BROWN LEATHER					<input type="checkbox"/>

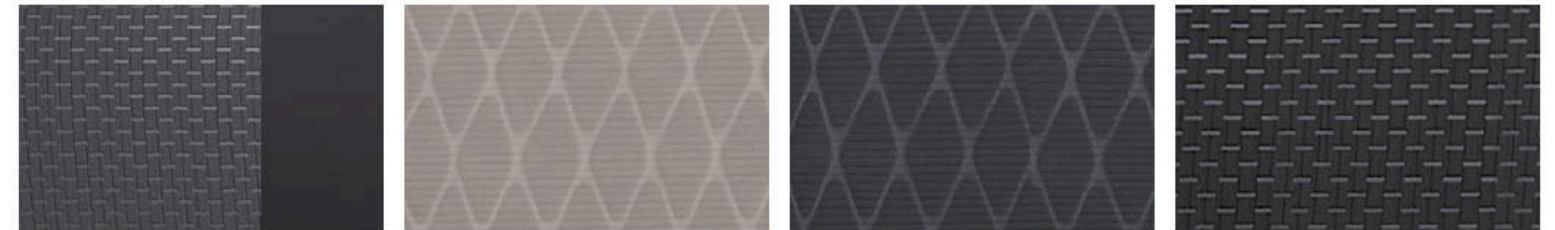
Standard
 Optional

Nissan has taken care to ensure that the color swatches presented here are the closest possible representations of actual vehicle colors. Swatches may vary slightly due to the printing process and whether viewed in daylight, fluorescent or incandescent light. Please see the actual colors at your dealer.

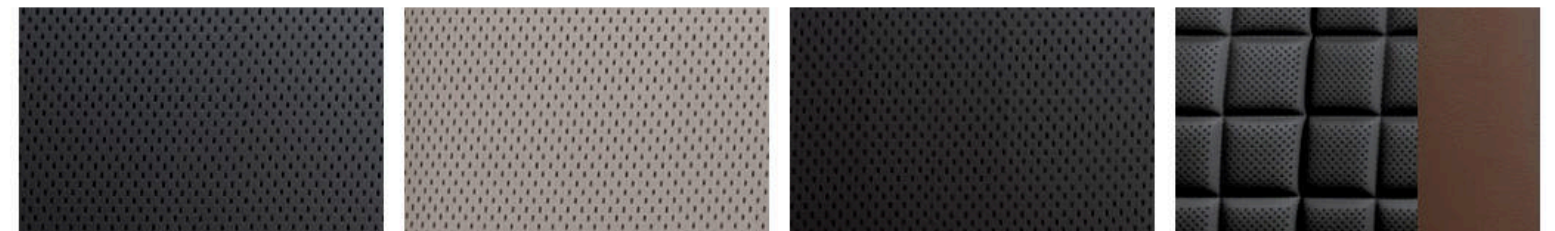
CHOOSE YOUR INTERIOR



Nissan TITAN[®] Crew Cab Platinum Reserve shown in Black/Brown Leather.



Black Cloth S Beige Cloth SV Black Cloth SV Black Cloth PRO-4X[®]



Black Leather SV Beige Leather SV Black Leather PRO-4X Black/Brown Leather Platinum Reserve

CHOOSE YOUR TRIM LEVEL

S

5.6-liter 32-valve V8 engine with 7-speed automatic transmission, hill start assist, 13" front and rear vented disc brakes, 18" styled steel wheels with P265/70R18 all-season tires, 8-ft. truck bed, dampened assist tailgate, Easy Clean® vinyl flooring, 40/20/40-split bench front seat with flip-down center seat, column shifter with manual shift mode, remote keyless entry with Push Button Ignition, Hands-free Text Messaging Assistant,³³ Bluetooth® Hands-free Phone System,¹⁹ illuminated steering wheel-mounted audio and cruise controls, four cup holders and four bottle holders, manual sliding back window, AM/FM/CD audio system with 7" touch-screen display, four speakers, Apple CarPlay,⁸¹⁹ Android Auto,⁷¹⁹ streaming audio via Bluetooth® wireless technology,¹⁹ SiriusXM® Radio,¹⁹ USB connection port,²⁰ RearView Monitor,³⁴ Vehicle Dynamic Control (VDC)³⁵ with Traction Control System (TCS)

King Cab® adds: 6.5-ft. truck bed, two rear door pockets, four additional bottle holders, 60/40-split bench rear seat, rear privacy glass, Rear Door Alert System³⁶

Crew Cab adds: 5.5-ft. truck bed, two additional cup holders, 60/40-split bench rear seat with center flip-down armrest, power rear side windows

XD S Adds: Optional Cummins® 5.0-liter DOHC 32-valve V8 turbo diesel with Aisin® 6-speed automatic transmission and Bosch® ceramic glow plugs, 14" front and rear vented disc brakes, 17" styled steel wheels, 6.5-ft. truck bed (Crew Cab only)



SL INCLUDES SV EQUIPMENT PLUS:

20" Aluminum-alloy wheels with all-season tires, LED headlights/Daytime Running Lights, fog lights, running boards, chrome exterior trim, body-color rear bumper, power-folding and auto-dimming driver's outside mirror, outside mirrors with reverse tilt-down feature, Front and Rear Sonar System,¹⁸ Utili-track® Channel System with four tie-down cleats,¹⁴ Nissan Door to Door Navigation with Premium Traffic,³⁷ NissanConnect Services powered by SiriusXM,⁸¹⁹ Nissan Voice Recognition, SiriusXM® Traffic and Travel Link,⁸¹⁹ Siri® Eyes Free,¹⁹ Nissan Intelligent Key® with door handle request switch, Remote Engine Start System with Intelligent Climate Control,²⁵ Dual Zone Automatic Temperature Control, front captain's chairs with 8-way power driver's seat, interior 120-V and 12-V outlets,²⁰ two rear illuminated USB ports,²⁰ lockable rear seat cargo organizer,¹⁴ leather-wrapped steering wheel, leather-appointed seats, wood-tone interior trim, power sliding back window with defroster, Fender®-powered audio system, Blind Spot Warning²³ and Rear Cross Traffic Alert,²⁴ Class IV tow hitch receiver with 4-pin/7-pin wiring harness⁶

SL XD Adds: Front tow hooks, power heated chrome manually extendable tow mirrors with turn signal indicators and puddle lights, integrated gooseneck hitch receiver^{10, 11}



SV INCLUDES S EQUIPMENT PLUS:

18" Silver-painted aluminum-alloy wheels, oil pan and fuel tank skid plates (4x4 models only), front tow hooks (4x4 only), chrome exterior trim, Advanced Drive-Assist® Display,^{15, 16} Fine Vision electroluminescent gauges, stain-resistant cloth seat trim, interior mood lighting, sun visors with illuminated vanity mirrors and extension, grocery hooks on bottom of rear seat cushion (Crew Cab only), silver metallic interior accents, trailer sway control

XD SV Adds: 17" Styled steel wheels, Front tow hooks, power heated black manually extendable tow mirrors with turn signal indicators, trailer brake controller and trailer light check,² Class IV tow hitch receiver with 4-pin/7-pin wiring harness,² integrated gooseneck hitch receiver^{10, 11}



PRO-4X® INCLUDES SV EQUIPMENT PLUS:

Switch-operated 2-speed transfer case (4WD), hill descent control, electronic locking rear differential, Bilstein® off-road performance shocks, 18" dark-finished aluminum-alloy wheels with all-terrain tires, transfer case/lower radiator skid plates, LED headlights/Daytime Running Lights, fog lights, spray-on bedliner, Nissan Door to Door Navigation with Premium Traffic,³⁷ SiriusXM® Traffic and Travel Link,⁸¹⁹ Nissan Intelligent Key® with door handle request switch, Dual Zone Automatic Temperature Control, front captain's chairs with 8-way power driver's seat, interior 120-V and 12-V outlets,²⁰ two rear illuminated USB ports,²⁰ lockable rear seat cargo organizer,¹⁴ leather-wrapped steering wheel, Blind Spot Warning²³ and Rear Cross Traffic Alert,²⁴ Class IV tow hitch receiver with 4-pin/7-pin wiring harness⁶

XD PRO-4X Adds: Front tow hooks, power heated black manually extendable tow mirrors with turn signal indicators, trailer brake controller and trailer light check,² integrated gooseneck hitch receiver^{10, 11}



PLATINUM RESERVE INCLUDES SL EQUIPMENT PLUS:

20" Dark chrome-clad aluminum-alloy wheels with all-season tires, dark and satin chrome-finished grille, dark chrome door handles and tailgate finisher, power-folding driver's outside mirror, two-tone exterior paint, chrome-tipped exhaust finisher, Dark Chrome running boards, climate-controlled front seats (heated and cooled), heated outboard rear seats, premium leather-appointed seats with Platinum Reserve logo, heated leather-wrapped steering wheel with wood-tone insert, premium open-pore wood-tone trim, dark chrome interior accents, carpeted floor mats with Platinum Reserve logo, metallic kick plate finisher with Platinum Reserve logo, Intelligent Around View® Monitor,¹² trailer brake controller and trailer light check,⁶ Class IV tow hitch receiver with 4-pin/7-pin wiring harness⁶

XD Platinum Reserve Adds: Power heated dark chrome manually extendable tow mirrors with turn signal indicators and puddle lights, integrated gooseneck hitch receiver^{10, 11}



CHOOSE YOUR PACKAGE

	TITAN® SINGLE CAB	TITAN KING CAB®	TITAN CREW CAB	TITAN XD® SINGLE CAB	TITAN XD KING CAB	TITAN XD CREW CAB
S Utility Package. Front overhead storage console, factory-applied spray-on bedliner, Class IV tow hitch receiver with 4-pin/7-pin wiring harness ^{2, 6}	■ (S)	■ (S)	■ (S)	■ (S 4x4)	■ (S 4x4)	■ (S 4x4)
SV Utility Package. Utili-track® Channel System with four tie-down cleats, ¹⁴ factory-applied spray-on bedliner, LED under-rail bed and tailgate area lighting, bed-mounted 120-volt AC power outlet ²⁰ TITAN King Cab/Crew Cab, TITAN XD King Cab/Crew Cab adds: Lockable rear-seat cargo organizer ¹⁴	■ (SV)	■ (SV) ■ (SV)	■ (SV) ■ (SV)	■ (SV 4x4)	■ (SV 4x4) ■ (SV 4x4)	■ (SV 4x4) ■ (SV 4x4)
PRO-4X® Utility Package. Utili-track® Channel System with four tie-down cleats, ¹⁴ LED under-rail bed and tailgate area lighting, bed-mounted 120-V AC power outlet, ²⁰ Front and Rear Sonar System, ¹⁸ Fender®-powered audio system with 12 speakers, ³⁸ including center speaker and subwoofer, power sliding back window with defroster, electronic tailgate lock, rear bumper step assist	—	■ (PRO-4X)	■ (PRO-4X)	—	■ (PRO-4X)	■ (PRO-4X)
Platinum Reserve Utility Package. TITAN Boxes, ¹⁴ electronic tailgate lock, rear bumper step assist	—	—	■ (Platinum Reserve)	—	—	■ (Platinum Reserve 4x4)
SV Convenience Package. Auto-on/off headlights, body-color rear bumper, side mirrors with convex spotter mirror, Nissan Intelligent Key® with front door handle request switch, Dual Zone Automatic Temperature Control, leather-wrapped steering wheel, Nissan Door to Door Navigation with Premium Traffic, ³⁶ Nissan Voice Recognition for navigation and audio, ³⁷ SiriusXM® Traffic and Travel Link, ^{8, 19} Front and Rear Sonar System, ¹⁸ auto-dimming rearview mirror, HomeLink® Universal Transceiver, Blind Spot Warning, ²³ Rear Cross Traffic Alert, ²⁴ Class IV tow hitch receiver with 4-pin/7-pin wiring harness ^{2, 6} TITAN King Cab/Crew Cab adds: Front cloth captain's chairs with center console, heated front seats, center console-mounted 120-V and 12-V power outlets and two illuminated USB ports, ²⁰ 8-way power adjustable driver's seat with power lumbar support, rear air conditioning vents, chrome interior door locks, power sliding back window with defroster, rain-sensing wipers TITAN XD adds: 20" Machine-finished aluminum-alloy wheels, step rails (Single Cab only), running boards (King and Crew Cabs only)	■ (SV)	■ (SV) ■ (SV)	■ (SV) ■ (SV)	■ (SV 4x4) ■ (SV 4x4) ■ (SV 4x4)	■ (SV 4x4) ■ (SV 4x4) ■ (SV 4x4)	■ (SV 4x4) ■ (SV 4x4) ■ (SV 4x4)
MIDNIGHT EDITION® adds: Exclusive Midnight Edition black 20" x 8.0" alloy wheels, black-trimmed headlights, body-color front and rear bumpers, body-color front grille with dark insert, power heated black outside mirrors with turn signal indicators and convex spotter mirror, black step rails, black Midnight Edition badging, charcoal interior trim	—	—	■ (SV 4x4, SL 4x4)	—	—	■ (SV 4x4 Diesel, SL 4x4 Diesel)
PRO-4X Convenience Package. NissanConnect® Services powered by SiriusXM, ¹⁹ Remote Engine Start System with Intelligent Climate Control, ²⁵ leather-appointed seats with contrast stitching, 4-way power adjustable passenger's seat, heated front seats, heated steering wheel, Memory System – driver's seat, steering wheel, and auto-dimming outside mirrors, outside mirrors with reverse tilt-down feature, auto-dimming rearview mirror, HomeLink® Universal Transceiver	—	■ (PRO-4X)	■ (PRO-4X)	—	—	■ (PRO-4X)
Tow Package. Front tow hooks, power heated manually extendable tow mirrors with integrated turn signal indicators and puddle lights, trailer brake controller and trailer light check ^{2, 6}	■ (SV)	■ (SV)	■ (SV, SL)	—	—	—
Seat Delete Package. REMOVES: 60/40 split fold-up rear bench seat ADDS: Rear flat-load floor, rear wall finisher with tie-down hooks. This package may remove the following features based upon how your TITAN is equipped: ³⁹ rear air conditioning vents, center console-mounted 120-volt AC and 12-volt DC power outlets and two illuminated USB ports, ²⁰ lockable rear seat cargo organizer. ¹⁴ This package substitutes 40/20/40-split bench front seat with flip-down center seat with armrest for the following features: ³⁹ front captain's chairs with center console, 8-way power adjustable driver's seat, driver-side power lumbar support	—	■ (S, SV)	—	—	■ (S 4x4, SV 4x4)	—
Texas TITAN Edition. Chrome front grille (inner and outer), 20" chrome-clad aluminum-alloy wheels, chrome exhaust finisher, Texas TITAN exterior badging, carpeted floor mats with Texas TITAN Edition logo, metallic kick plates	—	■ (SV)	■ (SV, SL)	—	■ (SV 4x4)	■ (SV 4x4, SL 4x4)
Chrome Package. Chrome front grille (inner and outer), 20" chrome-clad aluminum-alloy wheels, chrome exhaust finisher, metallic kick plates	—	■ (SV)	■ (SV, SL)	—	■ (SV 4x4)	■ (SV 4x4, SL 4x4)
Premium Package. Climate-controlled front seats (heated and cooled), Intelligent Around View® Monitor, ¹² TITAN Boxes ¹⁴	—	■ (PRO-4X)	■ (PRO-4X)	—	■ (PRO-4X)	■ (PRO-4X)
Monotone Paint Package. Body-color front and rear bumpers, wheel arch moldings, and rocker panels	—	■ (PRO-4X)	■ (PRO-4X)	—	■ (PRO-4X)	■ (PRO-4X)
Leather Package. Leather-appointed seats, 4-way power adjustable passenger's seat	—	—	■ (SV)	—	—	—
Off-road Package. 18" x 8.0" dark-finished aluminum-alloy wheels, P275/70R18 all-terrain tires, Bilstein® off-road performance shocks	—	—	■ (SL 4x4, Platinum Reserve 4x4)	—	—	—
Heavy Duty GAWR Package. High-capacity front springs (4x4 V8 gas engine only)	—	—	—	■ (S 4x4, SV 4x4)	■ (S 4x4, SV 4x4)	■ (S 4x4, SV 4x4)

CHOOSE YOUR ACCESSORIES



Every Genuine Nissan Accessory is custom-fit, custom-designed and durability-tested. Each one is backed by Nissan's 5-year/100,000-mile (whichever occurs first) limited warranty (if installed by dealer at the time of purchase), and can be financed when installed by dealer at time of purchase.⁴⁰

- A. TITAN® Boxes¹⁴**
Store and protect your gear. Lockable and removable.
- B. Tailgate Guard**
Helps stop things from slipping between the cracks.
- C. Fog Lights**
Help you see and be seen.
- D. Aluminum-insert Door Sills**
Premium as soon as you open the door.
- E. Running Boards and Running Board Lighting (sold separately)**
The bright way to step up to style and strength.
- F. Impact Sensor**
Sounds an alert if there's a small impact, or a break-in or wheel theft is attempted.
- G. Wireless Smartphone Charger²⁰**
Power up without plugging in.
- H. Sliding Bed Extender¹⁴**
Extend the possibilities.

Additional Accessories:

- Remote Engine Start System²⁵
- Water-resistant Seat Covers
- Sliding Bed Divider
- Fixed Bed Extender
- Frameless Auto-dimming Rearview Mirror with Universal Remote
- Stainless Steel Exhaust Finisher
- Electronic Tailgate Lock
- Gooseneck Ball and Anchor Kit^{10, 11}
- 5th Wheel Adaptor
- Nissan WiFi¹⁹

GENUINE NISSAN ACCESSORIES

TURN BRAND-NEW INTO ALL YOU

For more information and to shop online for TITAN Genuine Nissan Accessories, go to bit.ly/19titan-estore



To see Genuine Nissan Accessories in action, go to bit.ly/19titan-gna

Nissan TITAN® Crew Cab SL shown in Gun Metallic with Fog Lights (standard on SL), Running Boards (standard on SL), Bed Tube Rails,⁴¹ 20" Black Aluminum-alloy Wheels,⁴² Black Finish Grille,⁴³ and Splash Guards.

CHOOSE YOUR ACCESSORIES



Along with the other hard-working accessories listed below, you'll find a full line of accessories designed specifically to work with the unique system of channels and cleats in TITAN's incredibly versatile Utili-track® system.¹⁴

A. Weight-distributing Hitch Ball Mount and Hitch Ball (Class IV)^{2,6}

If you're getting hitched, do it right.

B. Chrome Step Rails

Get a leg up in style.

C. Lockable Rear-seat Cargo Organizer with Fold-out Flat Floor¹⁴

Under-seat storage that's out of sight.

D. Tie-down Cleats¹⁴

Help keep your cargo in lockdown.

E. Bed Tent¹⁴

It's your TITAN! It's your campsite! It's both!

F. Hitch Ball Mount, Class III^{2,6}

We'll hook you up.

G. Side Step Assist

Easy access? Step right up!

H. All-season Floor Mats

Don't let the muck mess up your truck.



For more information and to shop online for TITAN® Genuine Nissan Accessories, go to bit.ly/19titan-estore

To see Genuine Nissan Accessories in action, go to bit.ly/19titan-gna

Nissan TITAN XD® Crew Cab SV 4x4 with Cummins® diesel engine and Convenience Package and Utility Package shown¹⁴ in Gun Metallic with Sliding Bed Divider, Splash Guards, Running Boards (Part of Convenience Package), Tailgate Guard, Bed Tube Rails¹⁴ and Rear Bumper Step Assist.

SPECIFICATIONS

	TITAN*					TITAN XD*				
	S SC/KC/CC	SV SC/KC/CC	PRO-4X [®] KC/CC	SL CC	Platinum Reserve CC	S SC/KC/CC	SV SC/KC/CC	PRO-4X [®] KC/CC	SL CC	Platinum Reserve CC
Engines										
5.6-liter DOHC 32-valve V8 engine	■	■	■	■	■	■	■	■	■	■
— Horsepower – 390 hp @ 5,800 rpm										
— Torque – 394 lb-ft @ 4,000 rpm										
Variable Valve Event and Lift (VVEL [®])	■	■	■	■	■	■	■	■	■	■
Cummins [®] 5.0-liter DOHC 32-valve V8 Turbo Diesel engine						□	□	□	□	□
— Horsepower – 310 hp @ 3,200 rpm										
— Torque – 555 lb-ft of torque @ 1,600 rpm										
Bosch [®] ceramic glow plugs						□	□	□	□	□
Drivetrain										
7-speed automatic transmission	■	■	■	■	■	■	■	■	■	■
Aisin [®] 6-speed automatic transmission						□	□	□	□	□
Switch-operated 2-speed transfer case 4WD	□	□	■	□	□	□	□	■	■	■
Hill start assist	■	■	■	■	■	■	■	■	■	■
Hill descent control			■					■		
Electronic locking rear differential			■					■		
Brakes										
13.78" x 1.2" front vented disc and 13.58" x 0.8" rear vented disc brakes	■	■	■	■	■					
14.17" x 1.5" front vented disc and 14.37" x 1.2" rear vented disc brakes						■	■	■	■	■
4-wheel Anti-lock Braking System (ABS)	■	■	■	■	■	■	■	■	■	■
Electronic Brake force Distribution (EBD) and Brake Assist ⁴⁴	■	■	■	■	■	■	■	■	■	■
Suspension/Steering										
Independent double-wishbone front suspension with stabilizer bar	■	■	■	■	■	■	■	■	■	■
Multi-leaf rear suspension with solid axle and stabilizer bar	■	■	■	■	■	■	■	■	■	■
Bilstein [®] off-road performance shocks (4x4 models)			■	OR	OR			■		
High-capacity front springs (4x4 V8 gas engine only)						HD	HD			
Wheels/Tires										
17" x 7.5" styled steel wheels						■	■			
18" x 8.0" silver-metallic styled steel wheels	■									
18" x 8.0" silver-painted aluminum-alloy wheels		■								
18" x 7.5" dark-finished aluminum-alloy wheels								■		
18" x 8.0" dark-finished aluminum-alloy wheels				OR	OR					
20" x 7.5" aluminum-alloy wheels							C1		■	
20" x 8.0" two-tone painted aluminum-alloy wheels				■						
20" x 7.5" chrome-clad aluminum-alloy wheels (King and Crew Cabs only)							CH, TT		CH, TT	
20" x 8.0" chrome-clad aluminum-alloy wheels (King and Crew Cabs only)		CH, TT		CH, TT						
20" x 7.5" dark chrome-clad aluminum-alloy wheels										■
20" x 8.0" dark chrome-clad aluminum-alloy wheels										
LT245/75R17 all-season tires	■	■				■	■			
P265/70R18 all-season tires								■		
LT275/65R18 all-terrain tires				OR	OR					
P275/70R18 all-terrain tires										

TITAN Packages

■ Standard	U2 Part of SV Utility Package	P Part of PRO-4X Premium Package	M Part of Monotone Paint Package (PRO-4X)
□ Optional	L Part of SV Leather Package	T2 Part of SL Towing Package	SD Part of King Cab Seat Delete Package (S,SV)
U1 Part of S Utility Package	TT Part of Texas TITAN Edition Package (SV, SL)	CH Part of Chrome Package (SV, SL)	OR Part of Off-road Package (SL, Platinum Reserve)
C1 Part of SV Convenience Package	U3 Part of PRO-4X Utility Package	ME Part of Midnight Edition (SV, SL)	
T1 Part of SV Towing Package	C2 Part of PRO-4X Convenience Package	U4 Part of Platinum Reserve Utility Package	

TITAN XD Packages (4x4 models only)

■ Standard	C1 Part of SV Convenience Package	C2 Part of PRO-4X Convenience Package	U4 Part of Platinum Reserve Utility Package
□ Optional	U2 Part of SV Utility Package	P Part of PRO-4X Premium Package	M Part of Monotone Paint Package (PRO-4X)
U1 Part of S Utility Package	TT Part of Texas TITAN Edition Package (SV, SL)	CH Part of Chrome Package (SV, SL)	SD Part of King Cab Seat Delete Package (S,SV)
HD Part of Heavy Duty GAWR Package (S, SV)	U3 Part of PRO-4X Utility Package	ME Part of Midnight Edition (SV, SL)	

	TITAN					TITAN XD				
	S SC/KC/CC	SV SC/KC/CC	PRO-4X [®] KC/CC	SL CC	Platinum Reserve CC	S SC/KC/CC	SV SC/KC/CC	PRO-4X [®] KC/CC	SL CC	Platinum Reserve CC
Wheels/Tires (continued)										
LT265/60R20 all-season tires										
P275/60R20 all-season tires (King and Crew Cabs only)		CH, TT		■	■		C1 CH, TT		■	■
Exterior Features										
Oil pan and fuel tank skid plates (4x4 models)		■	■	■	■			■		
Transfer case and lower radiator skid plates										
Removable front aero spoiler	■	■		■	■	■	■		■	■
Front tow hooks (Not available for S trim, standard on 4x4 models)		T1	■	T2	■					
Automatic on/off headlights		C1	■	■	■		C1	■	■	■
Chrome-finished front grille – inner and outer (King and Crew Cabs only)		CH, TT		CH, TT			CH, TT		CH, TT	
Black-trimmed headlights		ME		ME			ME		ME	
LED signature headlights with Follow Me Home function and LED Daytime Running Lights		ME	■	■	■		ME	■	■	■
Fog lights			■	■	■			■	■	■
Body-color front bumper		ME	M	ME			ME	M	ME	
Body-color rear bumper		C1, ME	M	■			C1, ME	M	■	
Chrome bumpers (front bumper only for SL trim)		■		■			■		■	
Gun Metallic-painted bumpers, wheel arch moldings, and rocker panels			■					■		
Titanium-painted bumpers, wheel arch moldings, and rocker panels					■					■
Body-color wheel arch moldings and rocker panels										
Body-color front grille		■ ME	M	ME			■ ME	M	ME	
Side mirrors with convex spotter mirror		C1	■	■	■					
Power heated manually extendable tow mirrors with integrated turn signal indicators and puddle lights		T1	U3	T2						
Outside mirrors with reverse tilt-down feature			C2	■	■			C2	■	■
Power-folding driver's outside mirrors					■					
Auto-dimming driver's-side outside mirrors			C2	■	■			C2	■	■
Black step rails		ME					C1, ⁴⁵ ME			
Running boards (King and Crew Cabs only)				■	■		C1		■	■
Class IV tow hitch receiver with 4-pin/7-pin wiring harness ^{2, 6}	U1	C1	■	■	■	U1	■	■	■	■
Trailer brake controller and trailer light check ^{2, 6}		T1	U3	T2	■					
Integrated gooseneck hitch ¹⁰										
Power sliding back window with defroster (King and Crew Cabs only)		C1	U3	■	■		C1	U3	■	■
Front and Rear Sonar System ¹⁸		C1	U3	■	■		C1	U3	■	■
Utili-track [®] Channel System with 4 tie-down cleats		U2	U3	■	■		U2	U3	■	■
Factory-applied spray-on bedliner	U1	U2	■	■	■	U1	U2	■	■	■
TITAN Boxes ¹⁴					U4					U4
Bed-mounted 120-volt AC power outlet ²⁰		U2	U3	■	■		U2	U3	■	■
Overhead LED cargo bed lights	■	■	■	■	■	■	■	■	■	■
LED under-rail bed and tailgate area lighting		U2	U3	■	■		U2	U3	■	■
Dampened assist tailgate	■	■	■	■	■	■	■	■	■	■
Electronic tailgate lock			U3		U4			U3		U4
Side step assist (Single Cab only)										
Rear bumper step assist			U3		U4			U3		U4
Chrome exhaust finisher (King and Crew Cabs only)		CH, TT		CH, TT	■		CH, TT		CH, TT	■
Comfort/Convenience										
Advanced Drive-Assist [®] Display ^{15, 16}			■	■	■	□	■	■	■	■
Nissan Door to Door Navigation with Premium Traffic ³⁷			C1	■	■		C1	■	■	■
Apple CarPlay ^{®19}	■	■	■	■	■	■	■	■	■	■
Android Auto ^{™19}	■	■	■	■	■	■	■	■	■	■
NissanConnect [®] Services powered by SiriusXM [®] (King and Crew Cabs only) ¹⁹			C2	■	■			C2	■	■
Nissan Voice Recognition for audio and navigation (King and Crew Cabs only) ³⁷			C1	■	■			C1	■	■
SiriusXM [®] Traffic and Travel Link [®] (King and Crew Cabs only) ¹⁹			C1	■	■			C1	■	■
Bluetooth [®] Hands-free Phone System ¹⁹	■	■	■	■	■	■	■	■	■	■
Hands-free Text Messaging Assistant ³³	■	■	■	■	■	■	■	■	■	■
RearView Monitor ³⁴	■	■	■	■	■	■	■	■	■	■
Intelligent Around View [®] Monitor ¹²				P	■				P	■
Dual Zone Automatic Temperature Control			C1	■	■			C1	■	■
Rear air conditioning vents (King and Crew Cabs only) ⁴⁶			C1	■	■			C1	■	■

SPECIFICATIONS

Comfort/Convenience (continued)	TITAN*					TITAN XD*				
	S SC/KC/CC	SV SC/KC/CC	PRO-4X* KC/CC	SL CC	Platinum Reserve CC	S SC/KC/CC	SV SC/KC/CC	PRO-4X* KC/CC	SL CC	Platinum Reserve CC
Remote keyless entry with Push Button Ignition	■	■				■	■			
Nissan Intelligent Key ² with front door handle request switch and Push Button Ignition		C1	■	■	■		C1	■	■	■
Remote Engine Start System with Intelligent Climate Control ²⁵			C2	■	■			C2	■	■
Proximity Activation (puddle lights, LED signature headlights, cargo lights, LED bed-mounted lights)			U3	■	■			■	■	■
Rain-sensing wipers (King and Crew Cabs only)		C1	■	■	■		C1	■	■	■
Auto-dimming rearview mirror		C1	C2	■	■		C1	C2	■	■
HomeLink [®] Universal Transceiver		C1	C2	■	■		C1	C2	■	■
Center console-mounted 120-volt AC and 12-volt DC power outlets and two illuminated USB ports (King and Crew Cabs only) ^{20, 45}		C1	■	■	■		C1	■	■	■
Front overhead storage console	U1	■	■	■	■	U1	■	■	■	■
Lockable rear seat cargo organizer (King and Crew Cabs only) ^{14, 46}		U2	■	■	■		U2	■	■	■
Rear flat load floor with rear wall tie-down hooks	SD	SD				SD	SD			

Seating/Appointments

40/20/40-split bench front seat with flip down center seat with armrest	■	■								
Front captain's chairs with center console (King and Crew Cabs only) ⁴⁶		C1	■	■	■		C1	■	■	■
8-way power adjustable driver's seat and power lumbar support (King and Crew Cabs only) ⁴⁶		C1	■	■	■		C1	■	■	■
4-way power adjustable passenger's seat (Crew Cab only)		L	C2	■	■			C2	■	■
Heated front seats (King and Crew Cabs only)		CC	C2	■	■		CC	C2	■	■
Climate-controlled front seats (heated and cooled)			P		■			P		■
60/40 Split fold-up rear bench seat (King and Crew Cabs only) ⁴⁶	□	□	■	■	■					
60/40 Split fold-up rear bench seat delete (King Cab only)	SD	SD				SD	SD			
Heated outboard rear seats (Crew Cab only)			C2		■			C2		■
Memory System – driver's seat and steering wheel			C2		■			C2		■
Memory System – driver's seat, steering wheel, and outside mirrors				■	■				■	■
Cloth seat trim with stain-resistant bolsters	■		■			■		■		
Stain-resistant cloth seat trim		■					■			
PRO-4X embroidered seats with white stitching			■					■		
Leather-appointed seats (Crew Cab only)		L	C2	■	■			C2	■	■
Premium leather-appointed seats										
Leather-wrapped steering wheel		C1	■	■	■		C1	■	■	■
Heated leather-wrapped steering wheel			C2		■			C2		■
Chrome interior door locks		C1			■		C1			■
Black Midnight Edition badging		ME		ME			ME		ME	
Texas TITAN Edition badging and floor mats		TT		TT			TT		TT	
Metallic kick plates (King and Crew Cabs only)		CH, TT		CH, TT			CH, TT		CH, TT	

Audio/Entertainment

AM/FM/CD audio system with 7" touch-screen display	■	■	■			■	■	■		
Fender [®] -powered audio system with 7" touch-screen display			U3	■	■			U3	■	■
Ten speakers, including center speaker and subwoofer (King Cab only)			U3					U3		
Twelve speakers, including center speaker and subwoofer (Crew Cab Only)			U3	■	■			U3	■	■
SiriusXM [®] Radio ¹⁹	■	■	■	■	■	■	■	■	■	■
Streaming audio via Bluetooth [®] wireless technology ¹⁹	■	■	■	■	■	■	■	■	■	■
DVD pre-wiring		■	■	■	■		■	■	■	■

Safety/Security

Nissan Air Bag System with single-stage driver and dual-stage front passenger supplemental air bags with seat-belt sensors ⁴⁷	■	■	■	■	■	■	■	■	■	■
Driver and front-passenger seat-mounted side-impact supplemental air bags ⁴⁷	■	■	■	■	■	■	■	■	■	■
Roof-mounted curtain supplemental air bags for side-impact and rollover head protection for front and rear outboard occupants with rollover sensor ⁴⁷	■	■	■	■	■	■	■	■	■	■
Vehicle Dynamic Control (VDC) ³⁵ with Traction Control System (TCS)	■	■	■	■	■	■	■	■	■	■
Active Brake Limited Slip (ABLS)	■	■	■	■	■	■	■	■	■	■
Rear Door Alert (King and Crew Cabs only) ³⁶		■	■	■	■		■	■	■	■
Blind Spot Warning ²³		CC	■	■	■		CC	■	■	■
Rear Cross Traffic Alert ²⁴		CC	■	■	■		CC	■	■	■
Trailer Sway Control ^{2, 6}		■	■	■	■		■	■	■	■
Tire Pressure Monitoring System (TPMS) with Easy-Fill Tire Alert ^{17, 48}	■	■	■	■	■	■	■	■	■	■

TITAN CAPACITIES

TITAN Dimensions – Inches

	Crew Cab	King Cab	Single Cab
Exterior			
Wheelbase	139.8	139.8	139.8
Overall length (PRO-4X)	228.1 (228.5)	228.1 (228.5)	228.1
Overall width (PRO-4X, Plat. Res.)	79.5 (80.7)	79.5 (80.7)	79.5
Overall height:			
4x2: S, SV	75.4	75.1	74.5, 74.6
4x2: SL, Platinum Reserve	75.6	—	—
4x4: S, SV	76.0	75.7	75.1, 75.2
4x4: PRO-4X	77.2	76.9	—
4x4: SL, Platinum Reserve	77.2	—	—
Bed length	67.0	78.7	98.5
Bed width (between wheel wells)	63.8 (50.0)	63.8 (50.0)	63.8 (50.0)
Bed depth	20.8	20.8	20.8

	Crew Cab	King Cab	Single Cab
Interior			
Head room: front/rear	41.0/40.4	40.9/38.7	41.0
Leg room: front/rear	41.8/38.5	41.8/24.8	41.8
Hip room: front/rear	60.8/60.3	60.8/59.4	60.8
Shoulder room: front/rear	63.3/63.6	63.3/64.6	63.3

TITAN Payload and Towing – Lbs.

Maximum payload (4x2) ⁴	1,570	1,640	1,850
Maximum payload (4x4) ⁴	1,620	1,630	1,930
Maximum towing (4x2) ⁶	9,380	9,450	9,660
Maximum towing (4x4) ⁶	9,240	9,250	9,540

2019 TITAN EPA Fuel Economy Estimates⁴⁹

City/Highway/Combined MPG			
4x2: S, SV, SL, Platinum Reserve	15/21/18	15/21/18	15/21/18
4x4: S, SV, SL, Platinum Reserve	15/21/18	15/21/18	15/21/18
4x4: PRO-4X	15/20/17	15/20/17	15/20/17

NISSAN ROADSIDE ASSISTANCE

Your peace of mind is on us. For 36 months or 36,000 miles, whichever comes first, your new Nissan vehicle is covered for the following:⁵⁰

- Flat-tire changes
- Trip Interruption benefits
- Jump starts
- Vehicle lockouts
- Emergency fuel delivery

Follow Nissan on:



visit [NissanUSA.com/titan](https://www.nissanusa.com/titan)

PRINTED IN POLAND

TITAN XD CAPACITIES

TITAN XD Dimensions – Inches

	Crew Cab	King Cab	Single Cab
Exterior			
Wheelbase	151.6	139.8	139.8
Overall length (PRO-4X)	242.7 (243.6)	230.5 (231.3)	231
Overall width (PRO-4X)	79.5 (80.7)	79.5 (80.7)	79.5
Overall height: Gas/Diesel			
4x2: S, SV	—	77.8/77.8	77.3/77.2
4x2: SL, Platinum Reserve	—	—	—
4x4: S, SV	78.0	77.7	77.2/77.1
4x4: PRO-4X	78.4	78.1	—
4x4: SL, Platinum Reserve	78.9/78.8	—	—
Bed length	78.7	78.7	98.5
Bed width (between wheel wells)	63.8 (50.0)	63.8 (50.0)	63.8 (50.0)
Bed depth	20.8	20.8	20.8

	Crew Cab	King Cab	Single Cab
Interior			
Head room: front/rear	41.0/40.4	40.9/38.7	41.0
Leg room: front/rear	41.8/38.5	41.8/24.8	41.8
Hip room: front/rear	60.8/60.3	60.8/59.4	60.8
Shoulder room: front/rear	63.3/63.6	63.3/64.6	63.3

TITAN XD Payload and Towing – Lbs.

Maximum payload - Gas/Diesel			
Maximum payload (4x2) ¹	—	2,690/2,250	2,990/2,490
Maximum payload (4x4) ¹	2,470/1,920	2,590/2,080	2,890/2,400
Maximum towing - Gas/Diesel			
Maximum towing (4x2) ²	—	11,390/12,480	11,680/12,710
Maximum towing (4x4) ²	10,950/11,960	11,680/12,120	11,360/12,430

¹Maximum payload capacity when properly equipped. Maximum payload of up to: 2,470 lbs for 2019 TITAN XD Crew Cab 4x4 with Endurance[®] V8 gas engine; 2,690 lbs for 2019 TITAN XD King Cab[®] 4x2 with Endurance[®] V8 gas engine; 2,590 lbs for 2019 TITAN XD King Cab 4x4 with Endurance[®] V8 gas engine; 2,990 lbs for 2019 TITAN XD Single Cab 4x2 with Endurance[®] V8 gas engine; 2,890 lbs for 2019 TITAN XD Single Cab 4x4 with Endurance[®] V8 gas engine; 1,920 lbs for 2019 TITAN XD Crew Cab 4x4 with Cummins[®] V8 diesel engine; 2,250 lbs for 2019 TITAN XD King Cab 4x2 with Cummins[®] V8 diesel engine; 2,080 lbs for 2019 TITAN XD King Cab 4x4 with Cummins[®] V8 diesel engine; 2,490 lbs for 2019 TITAN XD Single Cab 4x2 with Cummins[®] V8 diesel engine; 2,400 lbs for 2019 TITAN XD Single Cab 4x4 with Cummins[®] V8 diesel engine. Payload capacity varies by configuration. See Nissan Towing Guide and Owner's Manual for additional information. ²Please follow Towing Guidelines. Maximum towing capacity when properly equipped. Maximum towing of up to: 10,950 lbs. for 2019 TITAN XD Crew Cab 4x4 with Endurance[®] V8 gas engine; 11,390 lbs. for 2019 TITAN XD King Cab[®] 4x2 with Endurance[®] V8 gas engine; 11,060 lbs. for 2019 TITAN XD King Cab 4x4 with Endurance[®] V8 gas engine; 11,680 lbs. for 2019 TITAN XD Single Cab 4x2 with Endurance[®] V8 gas engine; 11,360 lbs. for 2019 TITAN XD Single Cab 4x4 with Endurance[®] V8 gas engine; 11,960 lbs. for 2019 TITAN XD Crew Cab 4x4 with Cummins[®] V8 diesel engine; 12,480 lbs. for 2019 TITAN XD King Cab 4x2 with Cummins[®] V8 diesel engine; 12,120 lbs. for 2019 TITAN XD King Cab 4x4 with Cummins[®] V8 diesel engine; 12,710 lbs. for 2019 TITAN XD Single Cab 4x2 with Cummins[®] V8 diesel engine; 12,430 lbs. for 2019 TITAN XD Single Cab 4x4 with Cummins[®] V8 diesel engine. Towing capacity varies by configuration. See Nissan Towing Guide and Owner's Manual for additional information. ³Claim based on years/mileage (whichever occurs first) covered under the New Vehicle Limited Warranty basic coverage. *Ward's* in-market Large Pickup