

604

PEUGEOT




Power and flexibility for safety and longer engine life

604 models have a 2664 cc V6 engine offering advanced technical features such as aluminum cylinder block and cylinder heads for reduced weight and improved heat dispersion. Oversquare, this powerful and responsive engine develops 133 hp (DIN). A maximum torque of 20.3 mkg at 3500 rpm offers unusually smooth power and flexibility in a sedan of that category. The 604 is also available with automatic transmission for effortless driving.

Whether whispering along North-American superhighways or negotiating city traffic, the 604 offers stylish, relaxed motoring.





The Peugeot 604—much more than a luxury sedan. The impeccable style of the 604 is the result of skilled design and precision engineering. Created for those individuals who value excellence, dignity and luxury performance in their car, the 604 is another expression of their individual style.

Thoroughbred elegance with a refined temperament, the 604 has, inevitably, become a hallmark of success.





The dashboard, with comprehensive instrumentation, is designed to be read in a single, swift glance.

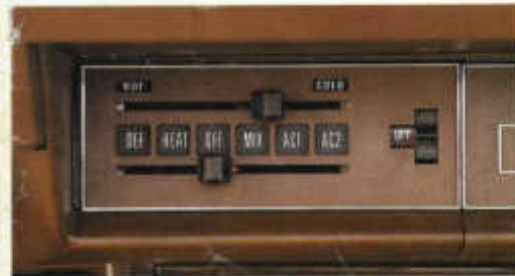
At night, the discrete lighting of the dashboard, coupled with the powerful halogen headlights, ensures perfect visibility of the road without distracting the driver. The beam adjustment control, operated from the inside, allows instant correction of headlight focus when the car is heavily loaded.



INSTRUMENT PANEL, with speedometer, tachometer and electric clock set behind anti-reflective glass. Warning lights, including those for brake condition, lights and indicators are grouped around the circular dials, designed to be read in a single, swift glance.



CENTRE CONSOLE, with cigarette lighter and finger tip controls for electrically operated windows.



Air-conditioning control panel.



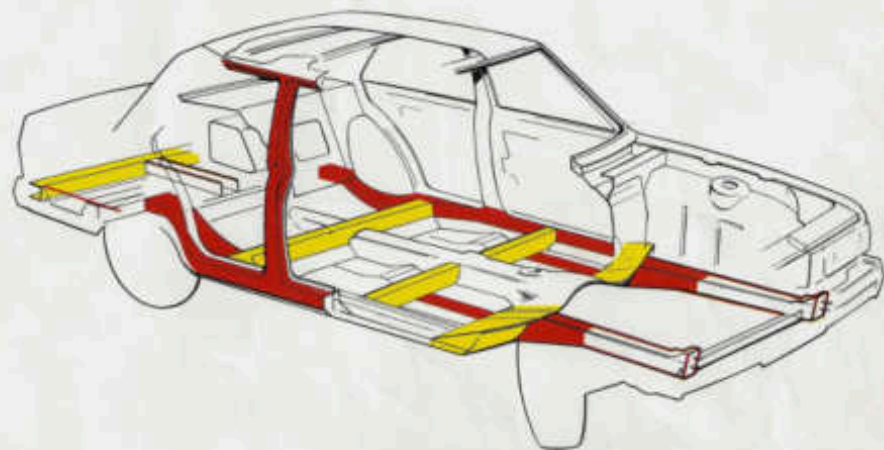
HEADLIGHT BEAM ADJUSTMENT CONTROL, to compensate for heavy loads, operated from the driver's seat.

In the 604 your surroundings will be sumptuous.

Wide opening doors reveal an interior where a generous amount of leg and head room enables five people to relax and stretch out. But comfort means much more than just space. The seats are large and deep, upholstered in rich, saddle-stitched leather or cloth and the front seats are fully reclining.

And the all-too-often neglected rear seat passengers have been well looked after in the 604. Headrests are built into the rear seats and a fold-down central armrest further adds to their comfort. Individual interior lights have been built into the rear quarter panels on both sides and, of course, the thick pile carpet has been colour-keyed to the upholstery.





A high level of safety

Peugeot's research programme into passenger safety led to the 604. Numerous active and passive safety features have been incorporated into the 604; for example:

- the front and rear sections are designed to deform progressively under impact, effectively "soaking up" the force of a collision;

- the passenger compartment is protected by a system of tubular members able to resist repeated impact in the event of the car overturning;

- resistance to frontal, lateral and rear impact is assured by reinforcements to sills and to the sub-structure.

The 4-wheel independent suspension of the 604 is another outstanding safety feature. Each component has been designed to balance the car precisely and to absorb vibrations. Because Peugeot demands the best from its cars, the special "double-action" of the Peugeot-designed shock absorbers cushions the car when a wheel hits a bump and also ensures that each wheel follows the road surface smoothly. For cornering precision, anti-roll bars are fitted at both front and rear.

For increased and progressive stopping power, the 604 has dual-circuit, power-assisted disc brakes with a compensator to distribute pressure evenly according to load.

Equipped to the highest standards of safety, the 604 can be driven with complete confidence.



Optional Equipment

- Electrically operated sliding roof
- Genuine leather upholstery with metallic 2-stage, high gloss paint
- Automatic transmission
- Headlight wipers

Specifications

Body

One piece steel body shell with electrophoretic anti-corrosion treatment—5 seats—Overall length: 4,88 m—Overall width: 1,77 m—Height empty/laden: 1,45/1,37 m—Wheelbase: 2,80 m—Total trunk capacity: 488 dm³—Fuel tank capacity: 70 l—Curb weight: 1520 kg—Maximum towing capacity: 1500 kg.

Mechanical

Diaphragm clutch, hydraulically operated, with ball-bearing clutch release—Five synchronised forward speed and reverse—Optional GM automatic gearbox with hydrokinetic torque converter—Suspended hypoid differential with homokinetic tripod drive-shafts—4-wheel independent suspension, with coil springs and double-acting Peugeot telescopic hydraulic shock absorbers—Anti-roll bars front and rear—Tires: Michelin 180/85 HR 390 TRX—Spare wheel: inside rear trunk—Power-assisted rack and pinion steering—Turning circle: 8,75 m—Disc brakes on 4 wheels—Front discs ventilated—Mastervac servo-assistance—Dual braking circuits with compensator—Handbrake operating on rear wheels—12-volt electrical system with three-phase 1000 W alternator.

Engine

Six cylinders in 90° V—Oversquare—Aluminum cylinder block—Removable wet cylinder liners—Aluminum cylinder heads with hemispherical chambers—Overhead camshaft per bank of cylinders—Four-bearing crankshaft—Viscous coupled fan.

Fuel supply:	Twin carburetors (one single choke, one double choke).	
Bore/stroke:	86 x 73	3.5" x 2.9"
Cubic capacity:	2064 cc	163 CID
Compression ratio:	8,2/1	8.2:1
Maximum power DIN:	133 hp at 5750 rpm	179 kW/5844 kW
Maximum torque DIN:	20,3 mkg at 3500 rpm	147 ft. lbs./199 Nm
Speed:	182 km/h	113.75 mph

Standard Equipment

- Front and rear carpeting
- Front and rear door armrests
- Fold-down central rear seat armrest
- Fully reclining front seats
- Front and rear headrests
- Illuminated air conditioning control panel
- 3-speed heater/ventilator control
- Inertia reel front and rear seat belts
- Curved side windows
- Rear window defroster
- Glove compartment with lock and light
- Cigarette lighter
- Electric windshield washers
- 2-speed electric wipers
- Water temperature gauge
- Low fuel warning light
- Handbrake-on warning light
- Low brake fluid warning light
- Brake pad wear warning light
- Electric clock
- Trip mileage recorder
- Tachometer
- Trunk light
- Vanity mirror on passenger side
- Day/night rearview mirror
- Outside rear view mirror operated from driver's seat
- Childproof locks on rear doors
- Halogen headlights
- Headlight beam adjustable from driver's seat
- Back-up lights
- Power steering
- Electrically operated front and rear windows
- Central locking system
- Tinted glass
- Air conditioning
- Radio with 4 speakers
- Aircraft-type magazine pocket

PEUGEOT

1971

