

# 2018 BRZ



**BRZ.** Heart of a Subaru. Soul of a sports car.

 **SUBARU**  
Confidence in Motion



The joy of driving **purified.**

#### The 2018 Subaru BRZ

There are sports cars with rear-wheel drive. There are also sports cars with responsive steering, a few with nimble handling, and some that are lightweight. The BRZ has all of these characteristics—and more. And with the supremely low and balanced 205-horsepower<sup>1</sup> SUBARU BOXER<sup>®</sup> engine, the experience is simply divine. This is how sports cars should be built—and how driving should feel.


#### Performance Package—Ready for your best lap.

To push the BRZ harder so it can handle the demands of higher performance driving, look no further than the Performance Package. With Brembo<sup>®</sup> performance brakes for supreme stopping power, SACHS<sup>®</sup> performance dampers for enhanced stability, and dark gray 17 x 7.5-inch, 10-spoke aluminum-alloy wheels for an exclusive look, this BRZ is ready to perform, lap after lap.<sup>2</sup>

<sup>1</sup> Manual transmission models only. <sup>2</sup> We do not recommend racing your vehicle. Racing may void the vehicle warranty. See Warranty & Maintenance Booklet for details. If you do race the vehicle, do it safely and lawfully on approved racing tracks. Drive responsibly at all times and obey all traffic laws.

The open road is **your canvas.**



 **Engaging**


With a traditional rear-wheel drive layout, the BRZ pays homage to classic sports car ideals while retaining modern necessities. Its combination of traits—lightness, low center of gravity, fully independent suspension, telepathic handling—deliver an unfiltered, unequivocally enjoyable driving experience.

 **Potent**

Powered by a 205-hp<sup>1</sup> direct- and port-injected 2.0-liter 4-cylinder SUBARU BOXER<sup>®</sup> engine, the BRZ hits all the right notes in both performance and sound. The sonorous, high rpm symphony from the tuned exhaust system is music to enthusiasts' ears.

 **Dialed-in**

The ideal sports car driving position means you'll find everything you need, right where you need it. The bolstered, sport-design front seats keep you planted, while the small-diameter, leather-wrapped steering wheel is perfectly complemented by a point-and-shoot 13.1:1 steering ratio.

 **Connected**

Everywhere you go in the BRZ, you'll feel connected to your world, thanks to standard SUBARU STARLINK<sup>™</sup> Multimedia. It allows you to connect via Bluetooth<sup>®</sup> or USB port to apps like Pandora,<sup>®</sup> iHeartRadio,<sup>®</sup> Stitcher<sup>™</sup> and Aha,<sup>™2</sup> for all your favorite news, music and podcasts. For a more engaged experience, upgrade to the 7-inch STARLINK<sup>™</sup> Multimedia system with standard Apple CarPlay<sup>™</sup> and Android<sup>™</sup> Auto<sup>2</sup> integration and a built-in, voice-activated navigation system powered by TomTom.<sup>®</sup> Both systems offer HD Radio<sup>®</sup> and SiriusXM<sup>®</sup> All Access Radio<sup>3</sup> for the ultimate in sound quality and listening enjoyment.

1 Manual transmission models only. 2 Compatible smartphone and application required. For applications to operate, latest version of each application is required. Data provided by smartphone is displayed on the audio system screen. Some state laws prohibit the operation of handheld electronic devices while operating a vehicle. Smartphone apps should only be launched when vehicle is safely parked. Your wireless carrier's rates may apply. 3 Activation and required monthly subscription sold separately. Includes 4-month trial subscription. See your retailer.

BRZ Limited in WR Blue Pearl with optional Performance Package.



LED Taillights



Sport-design Gauges with Multifunction Display

3 | 2018 BRZ



Lightweight Aluminum Rear Spoiler



Brembo<sup>™</sup> Performance Brakes



5 | 2018 BRZ

Leather-wrapped Shifter



Apple CarPlay™ and Android™ Auto

It only lacks one thing — **you.**

### Driver-focused Cockpit

Everything is designed with the driver in mind. From the small-diameter, leather-wrapped steering wheel to the strategically placed pedals, oblique shifter and low-mounted performance-design front seats with deep bolsters and Alcantara® inserts<sup>1</sup>—it's all perfectly assembled to create the ideal sports car driving position. The 4.2-inch multifunction display<sup>1</sup> keeps you informed with a G-force meter, lap timer, engine torque curve maps and more, while Track Mode lets you push the limits of performance driving even further. The available dual-zone automatic climate control system keeps you in the comfort zone, while standard Bluetooth® allows for an easy connection to your favorite apps and content. Plus, an updated 7-inch STARLINK™ Multimedia system with standard Apple CarPlay™ and Android™ Auto<sup>2</sup> integration and a built-in navigation system is available.<sup>1</sup> You'll also have standard auto-on/off LED headlights to keep you connected to the driving experience, even after dark.

1 BRZ Limited and BRZ 1S models only. 2 Compatible smartphone and application required. For applications to operate, latest version of each application is required. Data provided by smartphone is displayed on the audio system screen. Some state laws prohibit the operation of handheld electronic devices while operating a vehicle. Smartphone apps should only be launched when vehicle is safely parked. Your wireless carrier's rates may apply.

Every excess eliminated.  
Every thrill amplified.



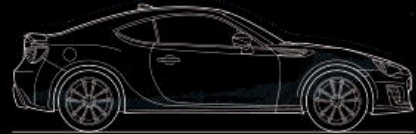
2,789-POUND  
CURB WEIGHT<sup>1</sup>

[ 18.11" ]  
CENTER OF  
GRAVITY HEIGHT<sup>2</sup>

ENGINE PLACEMENT

WEIGHT SPLIT: FRONT [ 55 ]

REAR [ 45 ]

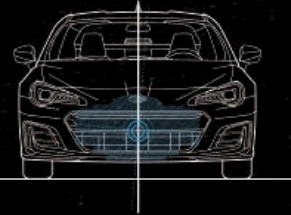


### Lightweight—2,789 Pounds<sup>1</sup>

Lightweight sports cars can react more quickly, accelerate faster, and stop with more authority. With less heft, the 205-hp<sup>2</sup> SUBARU BOXER<sup>®</sup> engine becomes a powerhouse, and the available 12.8-inch Brembo<sup>®</sup> performance brakes—world-beaters. High-tensile steel makes it not only lighter but stiffer, too. Also a priority was balance—so it's rear-wheel drive for better front-to-rear weight distribution.

### Low 0.27 Coefficient of Drag<sup>3</sup>

To a sports car, wind is like weight—the more of it you have to move, the more it takes from your ability to perform. Features like a channeled roof, aerodynamic underbody panels and a rear diffuser help the BRZ cut through the air, sharpening the performance you'll feel.



### SUBARU BOXER<sup>®</sup> Engine

Low, stable, with immediate power delivery, the SUBARU BOXER<sup>®</sup> engine with up to 205 hp<sup>2</sup> is the heart and soul of the BRZ. With port- and direct-injection technology, its efficiency is impeccable—up to 33 highway MPG<sup>4</sup>—and its power easily harnessed with either the lauded 6-speed close-ratio manual transmission or a quick-shifting 6-speed automatic transmission with manual mode and paddle shifters.

### Low Center of Gravity

Not only was the engine designed to be compact, allowing it to be mounted lower in the chassis, every element of the BRZ was placed as low as possible, from the roofline to the seating position. This is what gives the BRZ its supercar-like center of gravity measurement—18.11 inches<sup>3</sup>—that keeps it firmly planted to the ground for otherworldly composure and response.



### Driver-centric Ergonomics

With design features like a small-diameter steering wheel and optimally placed short-throw shifter, your hands can fully capitalize on the quick 13.1:1 steering ratio. And with sport-design instrumentation, you'll immediately get the information you need most.

### Performance-design Seats

When you're deep in the corners, you'll be glad the BRZ comes standard with supportive front seats with deep bolsters. They're also available with Alcantara<sup>®</sup> inserts, which provide extra grip to help keep you in the pocket.

<sup>1</sup> Base curb weight for BRZ Premium. <sup>2</sup> Manual transmission models only. <sup>3</sup> BRZ Premium and BRZ Limited models only. <sup>4</sup> With automatic transmission. 2018 EPA highway fuel economy estimates. Actual mileage may vary.

# 2018 BRZ tS



## Tuned by STI—Subaru Tecnica International

If one word could sum up STI, it's this: perfectionism. With their latest creation, they've sharpened a razor blade, enhancing the already potent BRZ so it looks and performs better than ever before. The BRZ tS comes decked out with exclusive STI parts and details you won't find on any other BRZ this side of Tokyo. Outside, you'll see custom styling cues, with a full STI aero kit that features an imposing functional carbon fiber rear wing. But nothing will prepare you for how it drives. With a stiffened chassis, precision-tuned SACHS® suspension, Brembo® brakes, and 18-inch STI alloy wheels fitted with Michelin® Pilot® Sport performance tires, you'll be treated to an unforgettable driving experience.



Subaru is the **Best Performance Brand** for three years running, according to Kelley Blue Book.<sup>2</sup>



Subaru is the **2018 Top Brand for Residual Value**, according to ALG.<sup>1</sup>



The Subaru BRZ was named **one of the 10 Coolest Cars Under \$25,000** for 2017 by Kelley Blue Book.<sup>3</sup>

© 2018 BRZ



“What we have ... is an affordable, tossable, tail-happy sports car: slick-shifting, hard-stopping, great-sounding, **as much fun on a track as it is in the canyons as it is around town.**”

*Autoweek (March 6, 2017)*



1 ALG named Subaru the 2018 Top Mainstream Brand for Residual Value. ALG is the industry benchmark for residual values and depreciation data, www.alg.com. 2 2015–2017 Kelley Blue Book Brand Image Awards are based on the Brand Watch™ study from Kelley Blue Book Strategic Insights. Award calculated among non-luxury shoppers. For more information, visit www.kbb.com. Kelley Blue Book is a registered trademark of Kelley Blue Book Co., Inc. 3 For more information, visit www.kbb.com. Kelley Blue Book is a registered trademark of Kelley Blue Book Co., Inc. 4 Based on IHS Markit U.S. vehicles in operation vs. total new registrations MY2007–2016 as of January 2017.



**98% of Subaru vehicles sold in the last 10 years are still on the road today.<sup>4</sup>**

*IHS Markit*

## 2018 BRZ | Trim Levels



### BRZ Premium

- 205-hp direct-injection 2.0-liter 4-cylinder SUBARU BOXER® engine
- Close-ratio 6-speed manual transmission
- Sport-tuned suspension
- Multi-spoke 17-inch aluminum-alloy wheels
- LED headlights
- Trunk spoiler
- Heated side mirrors
- Cloth upholstery
- Leather-wrapped steering wheel with audio and Bluetooth® controls
- Sport-design gauges with multifunction display
- Manually adjustable air conditioning system

- Auto-up/down power windows
- Electronic cruise control
- Rear-Vision Camera
- SUBARU STARLINK™ 6.2-inch Multimedia System with Pandora®, iHeartRadio®, Stitcher™ and Aha™ smartphone app integration¹, high-resolution LCD touchscreen display, 8 speakers, AM/FM/CD player, HD Radio® with iTunes® tagging capability, USB port/iPod® control, SiriusXM® All Access Radio², Bluetooth® audio streaming and hands-free phone connectivity, and 3.5-mm auxiliary jack
- Carpeted floor mats with embroidered BRZ logo and red stitching



### BRZ Limited

#### Includes BRZ Premium key features and adds:

- LED fog lights
- Alcantara® and leather-trimmed upholstery
- Center console and lower door knee pads with red stitching
- Instrument cluster meter visor with red stitching
- Sport-design gauges with 4.2-inch, color multifunction display
- Heated front seats
- Dual-zone automatic digital climate control
- Keyless Access with Push-Button Start
- Antitheft security system

- SUBARU STARLINK™ 7.0-inch Multimedia Navigation system with Apple CarPlay™, Android™ Auto, Pandora®, and Aha™ smartphone app integration¹, STARLINK™ cloud-based applications, including Yelp® and iHeartRadio®, high-resolution LCD touchscreen display, voice-activated controls, SiriusXM® All Access Radio², Traffic<sup>63</sup> and Travel Link<sup>63</sup> AM/FM stereo with HD Radio®, dual USB port/iPod® control, and Bluetooth® audio streaming and hands-free phone and text messaging connectivity
- **Optional Performance Package⁴:** Includes Brembo® performance braking system, SACHS® performance dampers and 17 x 7.5-inch multi-spoke aluminum-alloy wheels with dark gray finish



### BRZ tS⁵

#### Includes BRZ Limited key features and adds:

- 18 x 7.5-inch STI lightweight aluminum-alloy wheels with black finish and 215/40 R18 Michelin® Pilot® Sport summer performance tires
- Brembo® performance braking system
- High-performance STI sport-tuned suspension with SACHS® performance dampers
- Red-accented front grille
- Fog light covers
- Crystal Black Silica folding side mirrors
- STI front, side and rear under spoilers

- STI carbon fiber rear spoiler
- Red-accented rear bumper
- Black rear badging
- Alcantara® and leather-trimmed front seats with red bolsters and stitching, and embroidered logo
- Leather-wrapped steering wheel with red accents and stitching
- Door trim with red accents and stitching
- Red front seat belts
- Alcantara® instrument cluster meter visor with red stitching
- Frameless rearview mirror

## 2018 BRZ | Specifications

### Engine and Drivetrain

**Power | Torque** 2.0-liter DOHC aluminum-alloy 16-valve 4-cylinder horizontally opposed SUBARU BOXER® engine with Dual Active Valve Control System (DAVCS).  
**Manual transmission:** 205 hp @ 7,000 rpm | 156 lb-ft @ 6,400-6,800 rpm  
**Automatic transmission:** 200 hp @ 7,000 rpm | 151 lb-ft @ 6,400-6,600 rpm

**Fuel System** Direct and port fuel injection

**Manual Transmission** Fully synchronized close-ratio 6-speed manual with Incline Start Assist

**Automatic Transmission** 6-speed electronic automatic transmission with Sport mode, manual mode with paddle shifters, rev-matching downshift control and Incline Start Assist.  
**BRZ Premium and BRZ tS:** Not Available. **BRZ Limited:** Optional.

### Traction and Stability

**Drivetrain** Rear-wheel drive

**Rear Differential** TORSEN® limited slip

**Vehicle Stability Control (VSC)** Includes performance-oriented Track Mode

**Traction Control System (TCS)**

### Fuel

**Economy** city/highway/combined<sup>6</sup>

**Fuel Requirement** Premium unleaded gasoline (93 octane)

**Fuel Capacity** 13.2 gallons

Manual: 21/29/24 mpg  
 Automatic: 24/33/27 mpg  
 BRZ tS: 20/27/23 mpg

### Chassis

**Steering** Electric power-assisted quick ratio rack-and-pinion steering (EPAS). Ratio: 13.1:1. Turns lock-to-lock: 2.48. Turning circle: 35.4 feet.

**Suspension** **BRZ Premium and BRZ Limited:** Sport-tuned 4-wheel independent. **Front:** Strut-type with lower L-arm. Stabilizer bar. **Rear:** Double-wishbone with shock absorber. Stabilizer bar. **Performance Package⁴:** Sport-tuned 4-wheel independent. **Front:** SACHS® performance strut-type with lower L-arm. Stabilizer bar. **Rear:** Double-wishbone with SACHS® performance shock absorber. Stabilizer bar. **BRZ tS⁴:** High-performance STI sport-tuned 4-wheel independent. **Front:** STI-tuned SACHS® performance strut-type with STI coil spring and lower L-arm. Stabilizer bar. STI draw stiffener and front strut tower V-brace. **Rear:** Double-wishbone with STI-tuned SACHS® performance shock absorber and STI coil spring. Stabilizer bar.

**Brakes** **BRZ Premium and BRZ Limited:** 4-wheel disc, ventilated front and rear. Dual-piston front and single-piston rear calipers. 4-channel, 4-sensor ABS with Electronic Brake-force Distribution (EBD). **BRZ tS and Performance Package⁴:** Brembo® performance braking system. 4-wheel disc, ventilated front and rear. 4-piston front and dual-piston rear calipers. 4-channel, 4-sensor ABS with Electronic Brake-force Distribution (EBD).

**Brake Discs (front/rear)** **BRZ Premium and BRZ Limited:** 11.6 inches/11.4 inches. **BRZ tS and Performance Package⁴:** 12.8 inches/12.4 inches.

**Brake Assist** When emergency braking is detected by how quickly the brake pedal is pressed, maximum brake pressure is immediately applied.

**Brake Override System** If both brake and accelerator pedals are pressed simultaneously, the system reduces the operation of the accelerator pedal to help prevent unintentional vehicle acceleration.

### Wheels and Tires

**Wheels** **BRZ Premium and BRZ Limited:** 17 x 7.0-inch multi-spoke aluminum-alloy. Black with machine finish. **Performance Package⁴:** 17 x 7.5-inch multi-spoke aluminum-alloy. Dark gray finish. **BRZ tS⁴:** 18 x 7.5-inch STI aluminum-alloy. Black finish.

**Tires** **BRZ Premium, BRZ Limited, Performance Package⁴:** 215/45 R17 87W summer performance. **BRZ tS⁴:** 215/40 R18 85Y summer performance.

• Standard    ○ Optional    — Not equipped

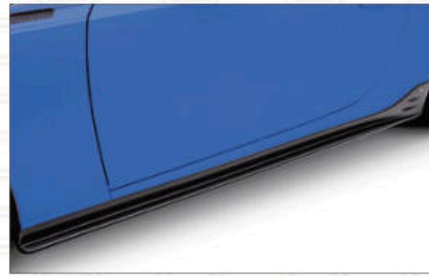
Exterior	BRZ Premium	BRZ Limited	BRZ tS
LED projector low- and high-beam headlights	●	●	●
LED fog lights	□	●	—
LED taillights	●	●	●
Rear bumper with integrated diffuser	●	●	●
STI front, side and rear under spoilers	—	—	●
Trunk spoiler	●	●	—
STI carbon fiber rear spoiler	—	—	●
Black BRZ and SUBARU badging	—	—	●
Dual stainless-steel exhaust outlets	●	●	●
Body-color power side mirrors	●	●	—
Crystal Black Silica power side mirrors	—	—	●
Heated side mirrors	●	●	●
Seating and Trim	BRZ Premium	BRZ Limited	BRZ tS
6-way manually adjustable driver's seat. 4-way manually adjustable front-passenger's seat.	●	●	●
Performance-design front seats with height-adjustable head restraints	●	●	●
Heated front seats	—	●	●
Flat-folding rear seatback	●	●	●
Leather-wrapped 3-spoke steering wheel with red stitching	●	●	—
Leather-wrapped 3-spoke steering wheel with red accents and stitching	—	—	●
Leather-wrapped shifter handle	●	●	●
Cloth upholstery	●	—	—
Alcantara® and leather-trimmed upholstery with red-embroidered BRZ logo and stitching	—	●	—
Alcantara® and leather-trimmed upholstery with red bolsters and stitching, and embroidered logo	—	—	●
Aluminum-alloy pedal covers	●	●	●
Convenience Features	BRZ Premium	BRZ Limited	BRZ tS
Keyless Access with Push-Button Start	—	●	●
Auto-on/off headlights	●	●	●
Power front windows with auto-up/down	●	●	●
Electronic cruise control	●	●	●
3-spoke steering wheel with integrated audio system, Bluetooth® and cruise control buttons	●	●	●
Tilt/telescoping steering column	●	●	●
Removable dual-cup holders in center console	●	●	●
Single bottle holder in each door panel	●	●	●
12-volt power outlets in center console and glovebox	●	●	●
Climate Control	BRZ Premium	BRZ Limited	BRZ tS
Manually adjustable CFC-free air conditioning system with air filtration and rotary controls for temperature, 4-speed fan and airflow direction	●	—	—
Dual-zone automatic digital climate control system with air filtration and controls for temperature, 7-speed fan, airflow direction, dual-zone lockout and CFC-free air conditioning	—	●	●

Instrumentation	BRZ Premium	BRZ Limited	BRZ tS
Sport-design gauges with analog speedometer, coolant temperature, fuel gauge and center-mounted tachometer with integrated digital speedometer	●	—	—
Sport-design gauges with analog speedometer, coolant temperature, fuel gauge, center-mounted tachometer with integrated digital speedometer and 4.2-inch LCD color multifunction display for G-force meter, stop watch, engine torque curve map and other vehicle functions	—	●	●
Audio and Communication Systems	BRZ Premium	BRZ Limited	BRZ tS
SUBARU STARLINK™ 6.2-inch Multimedia with Pandora®, iHeartRadio®, Stitcher™ and Aha™ smartphone app integration, <sup>1</sup> high-resolution LCD touchscreen display, 8 speakers, AM/FM/CD player, HD Radio® with iTunes® tagging capability, USB port/iPod® control, SiriusXM® All Access Radio, <sup>2</sup> Bluetooth® audio streaming and hands-free phone connectivity, and 3.5-mm auxiliary jack	●	—	—
SUBARU STARLINK™ 7.0-inch Multimedia Navigation system with Apple CarPlay, <sup>3</sup> Android™ Auto, Pandora®, and Aha™ smartphone app integration, <sup>1</sup> STARLINK™ cloud-based applications, including Yelp® and iHeartRadio®, high-resolution LCD touchscreen display, voice-activated controls, SiriusXM® All Access Radio, <sup>2</sup> Traffic <sup>®3</sup> and Travel Link, <sup>®3</sup> AM/FM stereo with HD Radio, <sup>®</sup> dual USB port/iPod® control, and Bluetooth® audio streaming and hands-free phone and text messaging connectivity	—	●	●
Security	BRZ Premium	BRZ Limited	BRZ tS
Keyless entry system with answer-back electronic chirp	●	●	●
Antitheft security system	—	●	●
Engine immobilizer	●	●	●
Safety	BRZ Premium	BRZ Limited	BRZ tS
ACTIVE	BRZ Premium	BRZ Limited	BRZ tS
Vehicle Stability Control (VSC)	●	●	●
Traction Control System (TCS)	●	●	●
4-wheel antilock braking system (ABS) with Electronic Brake-force Distribution (EBD)	●	●	●
Brake Assist	●	●	●
Brake Override System	●	●	●
Tire Pressure Monitoring System (TPMS)	●	●	●
LED Daytime Running Lights (DRL)	●	●	●
Rear-Vision Camera	●	●	●
PASSIVE	BRZ Premium	BRZ Limited	BRZ tS
Subaru advanced frontal airbag system with driver's and front-passenger's front airbags (SRS) <sup>7</sup>	●	●	●
Side-curtain airbags protecting front and rear occupants (SRS) <sup>7</sup>	●	●	●
Seat-mounted front side-impact airbags (SRS) <sup>7</sup>	●	●	●
Whiplash-protection front seats	●	●	●
Height-adjustable front-seat head restraints	●	●	●
Height-adjustable 3-point front seatbelts with pretensioners and force limiters	●	●	●
3-point seatbelts at all rear seating positions	●	●	●
LATCH system: Lower Anchors and Tethers for Children	●	●	●
Optional Equipment	BRZ Premium	BRZ Limited	BRZ tS
<b>Performance Package:</b> Includes Brembo® performance braking system, SACHS® performance dampers and 17 x 7.5-inch multi-spoke aluminum-alloy wheels with dark gray finish.	—	○ <sup>4</sup>	—

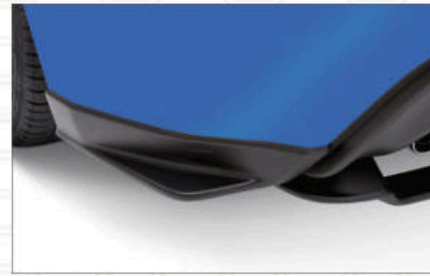
● Standard ○ Optional — Not equipped □ Available retailer-installed accessory



**STI Front Under Spoiler.** STI Front Under Spoiler gives the BRZ a mean, ground-hugging look.



**STI Side Under Spoiler.** Continue the mean ground-hugging look down the rocker panels of the BRZ. Kit includes both left and right side under spoilers.



**STI Rear Quarter Under Spoiler.** Complete the look on the side of the BRZ with the addition of the rear quarter under spoilers. Kit includes both left and right rear quarter under spoilers.



**Rear Bumper Diffuser.** Lower rear body panel helps to direct airflow and adds a sculpted finishing touch to the BRZ lower rear body line.



**STI Short-Throw Shifter.** Significantly reduces shift throw lengths for crisper shifts and sportier driving feel.



**LED Upgrade - Dome Light.** The LED dome light offers brighter, whiter and crisper interior lighting than the standard equipment lighting.



**Footwell Illumination Kit.** Casts a soft blue or red glow onto the front floor area.



**Rear Bumper Appliqué.** Clear, scratch-resistant vinyl film helps to protect bumper upper surface and leading edge. Includes a discreet pearl-colored Subaru logo.



**Sunshade.** The foldable sunshade offers a triple layer of protection to help reduce vehicle temperature up to 40 degrees. Custom-cut to fit properly, it includes a handy storage bag.



**Auto-Dimming Mirror with HomeLink®** This upgraded Auto-Dimming Mirror detects glare and darkens automatically to protect your vision while featuring an 8-point digital compass. Three backlit HomeLink® buttons can be programmed to operate most garage doors, security gates, home lighting and more. Can also provide you with the last status of your garage door (open or closed) if programmed to a compatible opener featuring two-way communication.



**10-inch Powered Subwoofer.** Provides powerful, deep bass and also assists in clean sound reproduction from all vehicle speakers. This is achieved by its integrated 100W amplifier and a passive crossover network. The self-contained unit mounts in the trunk. Manufactured for Subaru of America by Kicker®. Cannot be installed with Cargo Tray.



**STI Alloy Wheels.** The 17-inch 15-spoke STI alloy wheel set helps to give the BRZ the perfect blend of attitude and style, combined with improved handling performance and steering precision due to the reduced weight of the alloy when compared to the stock alloy wheels. The wheels are finished in black and finished off with STI-branded center caps.

**Protecting Your Investment**

Once you're part of our family, we'll be there for you. Every Subaru comes with 24-hour roadside assistance for 3 years or 36,000 miles. If you have trouble on the road, a tow to the nearest Subaru retailer and other services are just a phone call away. And to protect you over the long haul, we offer Added Security® ...ask for it by name—extended service agreements and maintenance plans that will help protect your car for up to 7 years or 100,000 miles. They're the only mechanical and maintenance plans backed by Subaru, and because we've been backing them for more than 30 years, they're agreements you can trust. Your retailer has full coverage details.



**Subaru Badge of Ownership**

Subaru owners are driven by their passions. Whether hiking to see a sunset or skiing through fresh powder. Paddling through rapids or playing fetch with their furry friend. For many, our exclusive Badge of Ownership lets them personalize their vehicle and express their interests. Owners can go to [badgeofownership.com](http://badgeofownership.com) to order **FREE** Subaru Badge of Ownership lifestyle icons.



**Durability**



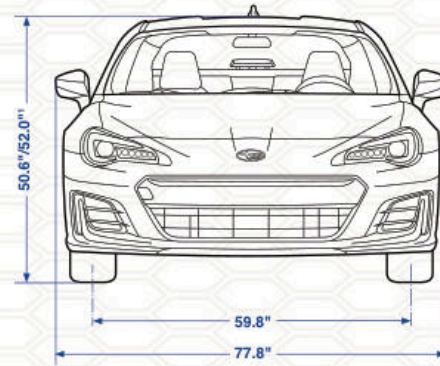
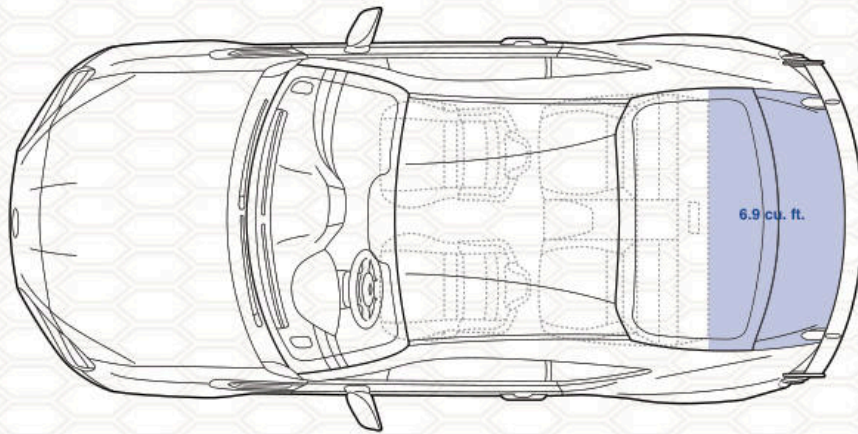
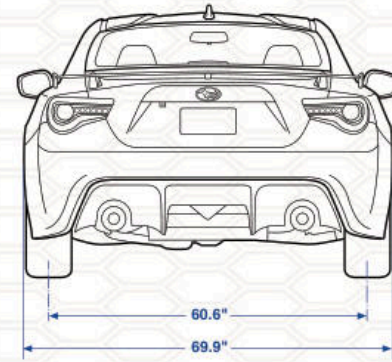
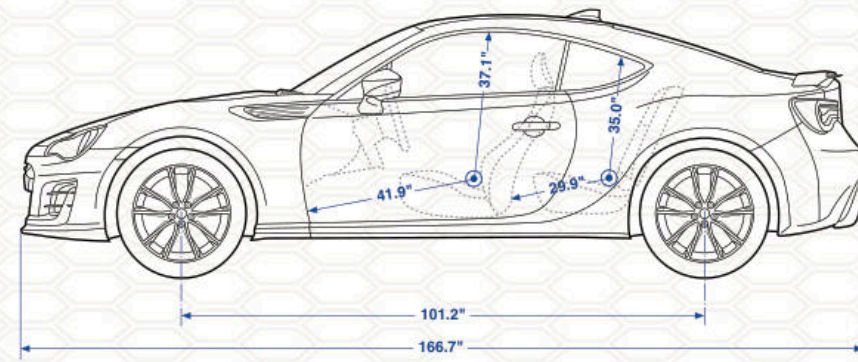
**It's not disposable. It's family.**

Life moves fast. Don't slow it down with a car you can't trust. At Subaru, we build each of our vehicles with the highest standards of manufacturing and with designs that are inherently tough and resilient. It's why our vehicles excel in the extreme rigors of rally racing. And why 98% of Subaru vehicles sold in the last 10 years are still on the road today! It's also why Subaru owners are so likely to stay Subaru owners for years and years. What's more, keeping cars on the road means they stay out of landfills longer. And if we can make the world a cleaner and greener place while making cars that inspire and motivate their drivers, we've done our job.

**Warranties<sup>9</sup>**

<b>New Car Limited Warranty</b>	3 years or 36,000 miles, whichever comes first.	
<b>Powertrain Limited Warranty</b>	5 years or 60,000 miles, whichever comes first.	
<b>Wear Item Limited Warranty</b>	3 years or 36,000 miles, whichever comes first. Repairs to the following items will also be covered under Wear Item Limited Warranty:	<ul style="list-style-type: none"> <li>• Brake Pads</li> <li>• Wiper Blades</li> <li>• Clutch Linings</li> <li>• Transmitter Batteries</li> </ul>
<b>Rust Perforation Limited Warranty</b>	5 years, unlimited mileage.	
<b>24-hour Roadside Assistance</b>	3 years or 36,000 miles, whichever comes first.	

1 Compatible smartphone and applications required. For applications to operate, latest version of each application is required. Data provided by smartphone is displayed on the audio system screen. Some state laws prohibit the operation of handheld electronic devices while operating a vehicle. Smartphone apps should only be launched when vehicle is safely parked. Your wireless carrier's rates may apply. 2 Activation and required monthly subscription sold separately. Includes 4-month trial subscription. See your retailer. 3 Activation and monthly subscription sold separately. Includes 3-year trial subscription. See your retailer. 4 Not available with automatic transmission. 5 Limited availability. See your retailer. 6 2018 EPA fuel economy estimates. Actual mileage may vary. 7 The Supplemental Restraint System (SRS) (airbags) affords the driver and the front passenger additional protection in moderate to severe frontal and side-impact collisions and outboard 2nd-row passengers additional protection in moderate to severe side-impact collisions. This system provides supplemental protection only, and seatbelts must be worn in order to avoid injuries to out-of-position occupants upon airbag deployment and to provide the best combined protection in a serious accident. Children should always be properly restrained in one of the rear seats. See Owner's Manual for recommended seating position. 8 Based on IHS Markit U.S. vehicles in operation vs. total new registrations MY2007-2016 as of January 2017. 9 All Subaru vehicles sold by Subaru of America, Inc. are designed and built for normal driving conditions. The Subaru Limited Warranty, as well as the Subaru Added Security program, excludes damage or failure resulting from modifications or participation in competition or racing events. See the Subaru Warranty and Maintenance booklet for further details.



<b>Length/Width/Height</b>	166.7 inches/69.9 inches (77.8 inches, including mirrors)/50.6 inches (52.0 inches, including antenna)
<b>Wheelbase</b>	101.2 inches
<b>Track (front/rear)</b>	59.8 inches/60.6 inches
<b>Base curb weight (manual/automatic)</b>	<b>BRZ Premium:</b> 2,789 lbs/N/A <b>BRZ Limited:</b> 2,798 lbs/2,840 lbs <b>BRZ tS:</b> 2,842 lbs/N/A
<b>Coefficient of drag (Cd)</b>	0.27 <sup>2</sup>

<b>Headroom (front/rear)</b>	37.1 inches/35.0 inches
<b>Legroom (front/rear)</b>	41.9 inches/29.9 inches
<b>Shoulder room (front/rear)</b>	54.5 inches/51.7 inches
<b>Passenger volume</b>	76.5 cubic feet
<b>Trunk volume</b>	6.9 cubic feet

<sup>1</sup> 50.6" without antenna, 52.0" with antenna. <sup>2</sup> BRZ Premium and BRZ Limited models only.

Preproduction vehicles shown, production vehicles may vary. Some images shown are for illustration purposes only. Specifications in this brochure are based on the latest product information available at the time of publication. For the most up-to-date and detailed product information, log on to [www.subaru.com](http://www.subaru.com). Some equipment shown in photography in this brochure is optional at extra cost. Specific options may be available only in combination with other options. Specific combinations of equipment or features may vary from time to time and by geographic area. Certain accessories and equipment may not be available at the time of publication. Subaru of America, Inc., reserves the right to change or discontinue at any time, without notice, prices, colors, materials, equipment, accessories, specifications, models and packages without incurring any obligation to make the same or similar changes on vehicles previously sold. Colors shown may vary due to reproduction and printing processes.

This brochure was prepared by Subaru of America, Inc. A warranty from Subaru of America, Inc., is available only on cars sold to the first retail purchaser through an authorized Subaru retailer in the continental U.S. or Alaska. Subaru, SUBARU BOXER and BRZ are registered trademarks of SUBARU CORPORATION. Added Security is a registered trademark of Subaru of America, Inc. Confidence in Motion and STARLINK are trademarks of SUBARU CORPORATION. Apple®, iPod® and iTunes® are registered trademarks of Apple Inc. Alcantara® is a registered trademark of Alcantara S.p.A. and Alcantara is produced by Toray Group. Aha™ is a trademark of Harman International Industries, Inc. SiriusXM® is a registered trademark of SiriusXM Radio Inc. TORSEN® is a registered trademark of JTEKT Torsen North America, Inc. Bluetooth® is a registered trademark of Bluetooth SIG, Inc. HomeLink® is a registered trademark of Gentex Corporation. Kicker® is a registered trademark of Stillwater Designs and Audio, Inc. HD Radio® is a registered trademark of iBiquity Digital Corporation. iHeartRadio® is a registered trademark of Clear Channel Communications, Inc. Pandora® is a registered trademark of Pandora Media, Inc. Stitcher™ is a trademark of Stitcher, Inc. Brembo® is a registered trademark of Brembo S.p.A. SACHS® is a registered trademark of ZF Sachs AG Corporation. Michelin® is a registered trademark of Michelin North America Inc. For more information, contact your Subaru retailer or log on to [www.subaru.com](http://www.subaru.com).

Paint



Crystal White Pearl



Ice Silver Metallic



Pure Red



WR Blue Pearl

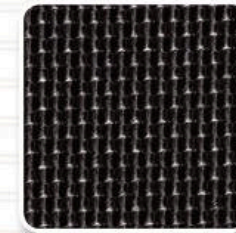


Dark Gray Metallic

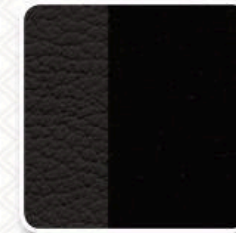


Crystal Black Silica

Upholstery



Black Cloth  
(BC)



Black Leather /  
Alcantara®  
(BA)



Red Leather /  
Black Alcantara®  
(RB)

Color Combinations

	BRZ Premium	BRZ Limited	BRZ tS
Crystal White Pearl	BC	BA	RB
Ice Silver Metallic	BC	BA	—
Pure Red	BC	BA	—
WR Blue Pearl	BC	BA	RB
Dark Gray Metallic	BC	BA	—
Crystal Black Silica	BC	BA	RB

— Not available

## Take a Guided Tour

It's the ultimate way to get to know the BRZ on your terms. Get up close and personal with color configurators, videos, 360-degree views, interactive content and so much more.



**Online:**  
[tour.subaru.com/BRZ2018](http://tour.subaru.com/BRZ2018)



These brochures were printed with vegetable-based inks and produced using a "Green Printing Process." The Forest Stewardship Council® (FSC®) is an international organization that brings people together to find solutions which promote responsible stewardship of the world's forests and environments.

By producing these brochures in a green way rather than by traditional methods, we saved 19 trees preserved for the future; 9,115 gallons of wastewater flow saved; 611 lbs solid waste not generated; 1,680 lbs net greenhouse gases prevented; 9,000,000 BTUs energy not consumed. Calculations provided by Environmental Paper Network. FSC® is not responsible for any calculations on saving resources by choosing this paper.

This brochure is printed in the U.S.A. on 10% recycled paper. ©2017 Subaru of America, Inc. 18BRZ.SRB.525 (S-21419, 50K, 1/18, CG)



Love. It's what makes a Subaru, a Subaru.

