

2019
BRZ



BRZ. For your every action, an immediate reaction.



The open road is **your canvas.**

There are sports cars with rear-wheel drive. There are also sports cars with responsive steering, a few with nimble handling, and some that are lightweight. The BRZ has all of these characteristics—and more. And with the supremely low and balanced 205-horsepower¹ SUBARU BOXER[®] engine, the experience is simply divine. This is how sports cars should be built—and how driving should feel.



Engaging

With a traditional rear-wheel drive layout, the BRZ pays homage to classic sports car ideals while retaining modern necessities. Its combination of traits—lightness, low center of gravity, fully independent suspension, telepathic handling—deliver an unfiltered, unequivocally enjoyable driving experience.



Potent

Powered by a 205-hp¹ direct- and port-injected 2.0-liter 4-cylinder SUBARU BOXER[®] engine, the BRZ hits all the right notes in both performance and sound. The sonorous, high rpm symphony from the tuned exhaust system is music to enthusiasts' ears.



Dialed-in

The ideal sports car driving position means you'll find everything you need, right where you need it. The bolstered, sport-design front seats keep you planted, while the small-diameter, leather-wrapped steering wheel is perfectly complemented by a point-and-shoot 13.1:1 steering ratio.



Connected

Everywhere you go in the BRZ, you'll feel connected to your world, thanks to standard SUBARU STARLINK[™] Multimedia. It allows you to connect via Bluetooth[®] or USB port to apps like Pandora,[®] iHeartRadio,[®] Stitcher[™] and Aha,^{™2} for all your favorite news, music and podcasts. For a more engaged experience, upgrade to the 7-inch STARLINK[™] Multimedia system with standard Apple CarPlay[™] and Android[™] Auto integration and a built-in, voice-activated navigation system powered by TomTom.^{®3} Both systems offer HD Radio[®] and SiriusXM[®] All Access Radio⁴ for the ultimate in sound quality and listening enjoyment.



1 Manual transmission models only. 2 Compatible smartphone and application required. For applications to operate, latest version of each application is required. Data provided by smartphone is displayed on the audio system screen. Some state laws prohibit the operation of handheld electronic devices while operating a vehicle. Smartphone apps should only be launched when vehicle is safely parked. Your wireless carrier's rates may apply. 3 Limited models only. See your retailer for details. 4 Activation and required monthly subscription sold separately. Includes 4-month trial subscription. See your retailer.

BRZ Limited in Crystal Black Silica with optional Performance Package.

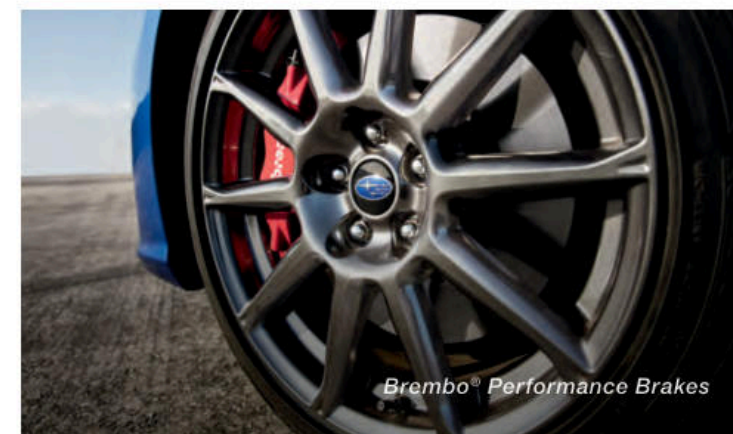
BRZ Limited in WR Blue Pearl with optional Performance Package.

1 Limited manual transmission models only. See your retailer for details. 2 We do not recommend racing your vehicle. Racing may void the vehicle warranty. See Warranty & Maintenance Booklet for details. If you do race the vehicle, do it safely and lawfully on approved racing tracks. Drive responsibly at all times and obey all traffic laws.

Performance Package

Ready for your best lap.


To push the BRZ harder so it can handle the demands of higher performance driving, look no further than the available Performance Package.¹ With Brembo[®] performance brakes for supreme stopping power, SACHS[®] performance dampers for enhanced stability, and dark gray 17 x 7.5-inch, 10-spoke aluminum-alloy wheels for an exclusive look, this BRZ is ready to perform, lap after lap.²



Brembo[®] Performance Brakes



Aluminum Rear Wing



It only lacks one thing—**you.**

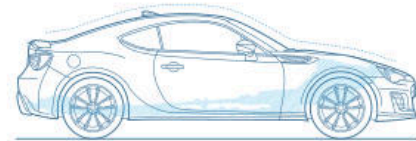
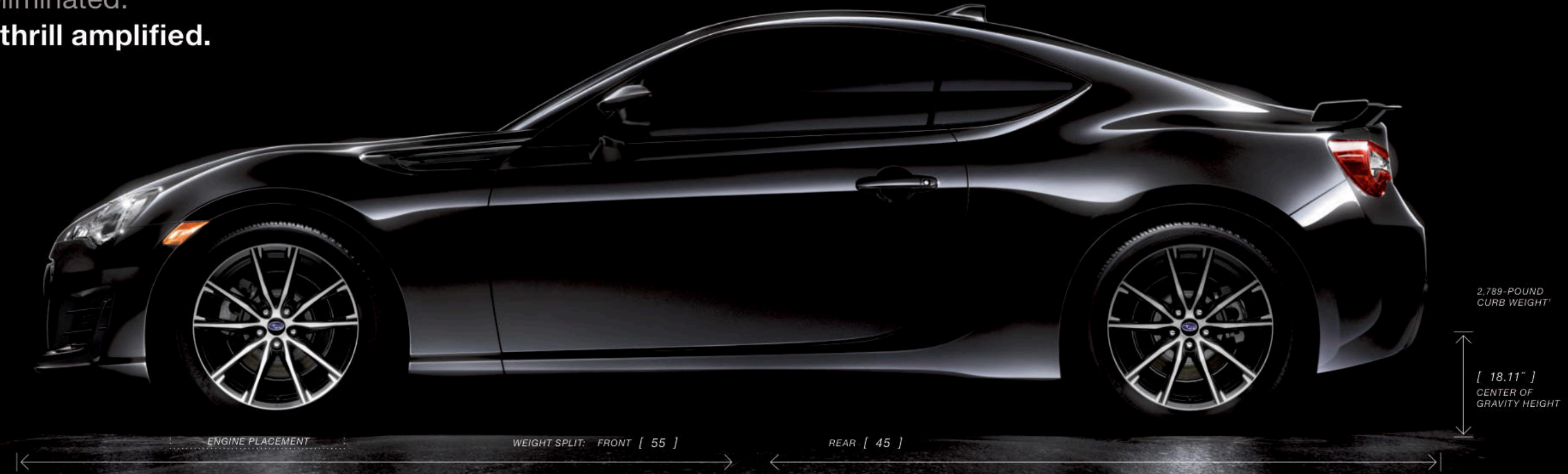
Driver-focused Cockpit

Everything is designed with the driver in mind. From the small-diameter, leather-wrapped steering wheel to the strategically placed pedals, oblique shifter and low-mounted performance-design front seats with deep bolsters and Alcantara® inserts¹—it's all perfectly assembled to create the ideal sports car driving position. The 4.2-inch multifunction display¹ keeps you informed with a G-force meter, lap timer, engine torque curve maps and more, while Track Mode lets you push the limits of performance driving even further. The available dual-zone automatic climate control system keeps you in the comfort zone,¹ while standard Bluetooth® allows for an easy connection to your favorite apps and content. Plus, a 7-inch SUBARU STARLINK™ Multimedia system with standard Apple CarPlay™ and Android™ Auto integration and a built-in navigation system is available.¹ You'll also have standard auto-on/off LED headlights to keep you connected to the driving experience, even after dark.

¹ BRZ Limited models only.

BRZ Limited with Black Leather and Alcantara.®

Every excess eliminated.
Every thrill amplified.

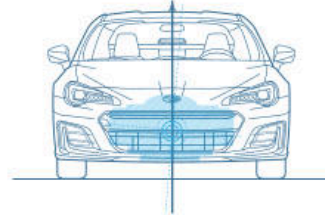


Lightweight—2,789 Pounds¹

Lightweight sports cars can react more quickly, accelerate faster, and stop with more authority. With less heft, the 205-hp² SUBARU BOXER[®] engine becomes a powerhouse, and the available 12.8-inch Brembo[®] performance brakes—world-beaters. High-tensile steel makes it not only lighter but stiffer, too. Also a priority was balance—so it's rear-wheel drive for better front-to-rear weight distribution.

Low 0.27 Coefficient of Drag

To a sports car, wind is like weight—the more of it you have to move, the more it takes from your ability to perform. Features like a channeled roof, aerodynamic underbody panels and a rear diffuser help the BRZ cut through the air, sharpening the performance you'll feel.

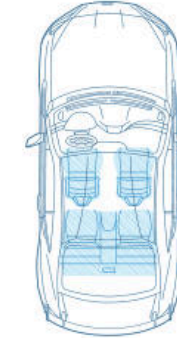


SUBARU BOXER[®] Engine

Low, stable, with immediate power delivery, the SUBARU BOXER[®] engine with up to 205 hp² is the heart and soul of the BRZ. With port- and direct-injection technology, its efficiency is impeccable—up to 33 highway MPG³—and its power easily harnessed with either the lauded 6-speed close-ratio manual transmission or a quick-shifting 6-speed automatic transmission with manual mode and paddle shifters.

Low Center of Gravity

Not only was the engine designed to be compact, allowing it to be mounted lower in the chassis, every element of the BRZ was placed as low as possible, from the roofline to the seating position. This is what gives the BRZ its supercar-like center of gravity measurement—18.11 inches—that keeps it firmly planted to the ground for otherworldly composure and response.



Driver-centric Ergonomics

With design features like a small-diameter steering wheel and optimally placed short-throw shifter, your hands can fully capitalize on the quick 13.1:1 steering ratio. And with sport-design instrumentation, you'll immediately get the information you need most.

Performance-design Seats

When you're deep in the corners, you'll be glad the BRZ comes standard with supportive front seats with deep bolsters. They're also available with Alcantara[®] inserts, which provide extra grip to help keep you in the pocket.

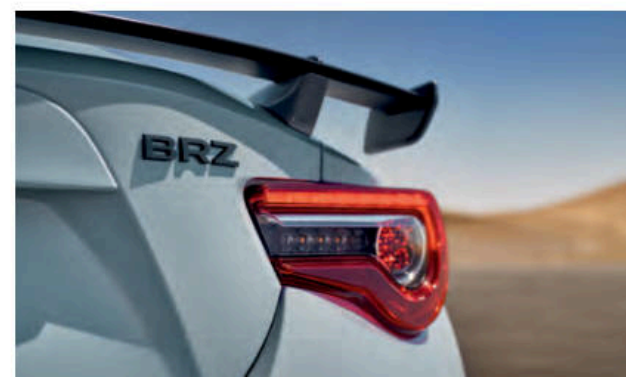
¹ Base curb weight for BRZ Premium. ² Manual transmission models only. ³ With automatic transmission. 2019 EPA highway fuel economy estimates. Actual mileage may vary.



2019 BRZ Series.Gray

Step up. Stand out.

With a production run of just 250, the 2019 BRZ Series.Gray is no ordinary BRZ. Covered in a rare hue—Cool Gray Khaki paint—accentuated by black mirror caps, black badging, and frameless rearview mirror, this BRZ has “enthusiast” written all over it. And it matches its unique looks with uncommonly nimble performance, thanks to SACHS® performance dampers for sportier handling, and high-performance Brembo® brakes with 12.8" front and 12.4" rear rotors for controlled stopping power. Topping off this limited-edition package are stylish black 17 x 7.5-inch, 10-spoke aluminum-alloy wheels for a presence that’s not only exclusive, but also timeless.



Subaru is the **Most Trusted Brand** for four years running, according to Kelley Blue Book.²



Subaru is the **2018 Top Brand for Residual Value**, according to ALG.¹



“It’s a back-to-basics, lightweight sports car with rear-wheel drive, excellent balance and an affordable price.”

Edmunds.com



“The BRZ feels like the antidote to everything enthusiasts complain about when it comes to modern cars.”

Jalopnik.com



97% of Subaru vehicles sold in the last 10 years are still on the road today.³

IHS Markit

¹ ALG named Subaru the 2018 Top Mainstream Brand for Residual Value. ALG is the industry benchmark for residual values and depreciation data (www.alg.com). ² 2015–2018 Kelley Blue Book Brand Image Awards are based on the Brand Watch™ study from Kelley Blue Book Strategic Insights. Award calculated among non-luxury shoppers. For more information, visit www.kbb.com. Kelley Blue Book is a registered trademark of Kelley Blue Book Co., Inc. ³ Based on IHS Markit U.S. vehicles in operation vs. total new registrations for MY2008–2017 ending in December 2017.





BRZ Premium

- 205-hp direct-injection 2.0-liter 4-cylinder SUBARU BOXER® engine
- Close-ratio 6-speed manual transmission
- Sport-tuned suspension
- Multi-spoke 17-inch aluminum-alloy wheels
- LED headlights
- Trunk spoiler
- Heated side mirrors
- Cloth upholstery
- Leather-wrapped steering wheel with audio and Bluetooth® controls
- Sport-design gauges with multifunction display
- Manually adjustable air conditioning system
- Auto-up/down power windows
- Electronic cruise control
- Rear-Vision Camera
- SUBARU STARLINK™ 6.2-inch Multimedia System with Pandora®, iHeartRadio®, Stitcher™ and Aha™ smartphone app integration¹, high-resolution LCD touchscreen display, 8 speakers, AM/FM/CD player, HD Radio® with iTunes® tagging capability, USB port/iPod® control, SiriusXM® All Access Radio², Bluetooth® audio streaming and hands-free phone connectivity, and 3.5-mm auxiliary jack
- Carpeted floor mats with embroidered BRZ logo and red stitching



BRZ Limited

Includes BRZ Premium key features and adds:

- LED fog lights
- Alcantara® and leather-trimmed upholstery
- Center console and lower door knee pads with red stitching
- Instrument cluster meter visor with red stitching
- Sport-design gauges with 4.2-inch, color multifunction display
- Heated front seats
- Dual-zone automatic digital climate control
- Keyless Access with Push-Button Start
- Anti-theft security system
- SUBARU STARLINK™ 7.0-inch Multimedia Navigation system with Apple CarPlay™, Android™ Auto, Pandora®, and Aha™ smartphone app integration,¹ STARLINK™ cloud-based applications, including Yelp® and iHeartRadio®, high-resolution LCD touchscreen display, voice-activated controls, SiriusXM® All Access Radio² Traffic³ and Travel Link,⁴ AM/FM stereo with HD Radio,⁵ dual USB port/iPod® control, and Bluetooth® audio streaming and hands-free phone and text messaging connectivity
- **Optional Performance Package⁴:** Includes Brembo® performance braking system, SACHS® performance dampers and 17 x 7.5-inch multi-spoke aluminum-alloy wheels with dark gray finish



BRZ Series.Gray⁵

Includes BRZ Limited key features and adds:

- Limited availability (250 units)
- Brembo® performance braking system
- SACHS® performance dampers
- Exclusive Cool Gray Khaki paint
- Black-painted side mirrors
- Black badging
- 17 x 7.5-inch multi-spoke aluminum-alloy wheels with black finish
- Frameless rearview mirror

Engine and Drivetrain

Engine Power | Torque 2.0-liter DOHC aluminum-alloy 16-valve 4-cylinder horizontally opposed SUBARU BOXER® engine with Dual Active Valve Control System (DAVCS).
Manual transmission: 205 hp @ 7,000 rpm | 156 lb-ft @ 6,400-6,800 rpm
Automatic transmission: 200 hp @ 7,000 rpm | 151 lb-ft @ 6,400-6,600 rpm

Fuel System Direct and port fuel injection

Manual Transmission Fully synchronized close-ratio 6-speed manual with Incline Start Assist

Automatic Transmission 6-speed electronic automatic transmission with Sport mode, manual mode with paddle shifters, rev-matching downshift control and Incline Start Assist.
BRZ Premium and BRZ Series.Gray: Not Available. **BRZ Limited:** Optional.

Traction and Stability

Drivetrain Rear-wheel drive

Rear Differential TORSEN® limited slip

Vehicle Stability Control (VSC) Includes performance-oriented Track Mode

Traction Control System (TCS)

Fuel

Fuel Economy city/highway/combined⁶

Manual: 21/29/24 mpg
 Automatic: 24/33/27 mpg

Fuel Requirement Premium unleaded gasoline (93 octane)

Fuel Capacity 13.2 gallons

Chassis

Steering Electric power-assisted quick ratio rack-and-pinion steering (EPAS). Ratio: 13.1:1. Turns lock-to-lock: 2.48. Turning circle: 35.4 feet.

Suspension **BRZ Premium and BRZ Limited:** Sport-tuned 4-wheel independent. **Front:** Strut-type with lower L-arm. Stabilizer bar. **Rear:** Double-wishbone with shock absorber. Stabilizer bar. **BRZ Series.Gray and Performance Package⁴:** Sport-tuned 4-wheel independent. **Front:** SACHS® performance strut-type with lower L-arm. Stabilizer bar. **Rear:** Double-wishbone with SACHS® performance shock absorber. Stabilizer bar.

Brakes **BRZ Premium and BRZ Limited:** 4-wheel disc, ventilated front and rear. Dual-piston front and single-piston rear calipers. 4-channel, 4-sensor ABS with Electronic Brake-force Distribution (EBD). **BRZ Series.Gray and Performance Package⁴:** Brembo® performance braking system. 4-wheel disc, ventilated front and rear. 4-piston front and dual-piston rear calipers. 4-channel, 4-sensor ABS with Electronic Brake-force Distribution (EBD).

Brake Discs (front/rear) **BRZ Premium and BRZ Limited:** 11.6 inches/11.4 inches. **BRZ Series.Gray and Performance Package⁴:** 12.8 inches/12.4 inches.

Brake Assist When emergency braking is detected by how quickly the brake pedal is pressed, maximum brake pressure is immediately applied.

Brake Override System If both brake and accelerator pedals are pressed simultaneously, the system reduces the operation of the accelerator pedal to help prevent unintentional vehicle acceleration.

Wheels and Tires

Wheels **BRZ Premium and BRZ Limited:** 17 x 7.0-inch multi-spoke aluminum-alloy. Black with machine finish. **Performance Package⁴:** 17 x 7.5-inch multi-spoke aluminum-alloy. Dark gray finish. **BRZ Series.Gray⁴:** 17 x 7.5-inch multi-spoke aluminum-alloy. Black finish.

Tires **BRZ Premium, BRZ Limited, BRZ Series.Gray and Performance Package⁴:** 215/45 R17 87W Summer performance.

2019 BRZ | Equipment

Exterior	BRZ Premium	BRZ Limited	BRZ Series.Gray
LED projector low- and high-beam headlights	●	●	●
LED fog lights	□	●	●
LED taillights	●	●	●
Rear bumper with integrated diffuser	●	●	●
Trunk spoiler	●	●	●
Black BRZ and SUBARU badging	—	—	●
Dual stainless-steel exhaust outlets	●	●	●
Body-color power side mirrors	●	●	—
Crystal Black Silica power side mirrors	—	—	●
Heated side mirrors	●	●	●
Seating and Trim			
6-way manually adjustable driver's seat. 4-way manually adjustable front-passenger's seat.	●	●	●
Performance-design front seats with height-adjustable head restraints	●	●	●
Heated front seats	—	●	●
Flat-folding rear seatbacks	●	●	●
Leather-wrapped 3-spoke steering wheel with red stitching	●	●	●
Leather-wrapped shifter handle	●	●	●
Cloth upholstery	●	—	—
Alcantara® and leather-trimmed upholstery with red-embroidered BRZ logo and stitching	—	●	●
Aluminum-alloy pedal covers	●	●	●
Convenience Features			
Keyless Access with Push-Button Start	—	●	●
Auto-on/off headlights	●	●	●
Power front windows with auto-up/down	●	●	●
Electronic cruise control	●	●	●
3-spoke steering wheel with integrated audio system, Bluetooth® and cruise control buttons	●	●	●
Tilt/telescoping steering column	●	●	●
Removable dual-cup holders in center console	●	●	●
Single bottle holder in each door panel	●	●	●
12-volt power outlets in center console and glovebox	●	●	●
Climate Control			
Manually adjustable CFC-free air conditioning system with air filtration and rotary controls for temperature, 4-speed fan and airflow direction	●	—	—
Dual-zone automatic digital climate control system with air filtration and controls for temperature, 7-speed fan, airflow direction, dual-zone lockout and CFC-free air conditioning	—	●	●

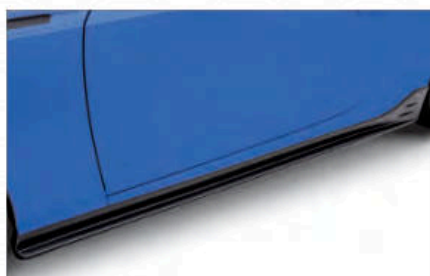
2019 BRZ | Equipment

Instrumentation	BRZ Premium	BRZ Limited	BRZ Series.Gray
Sport-design gauges with analog speedometer, coolant temperature, fuel gauge and center-mounted tachometer with integrated digital speedometer	●	—	—
Sport-design gauges with analog speedometer, coolant temperature, fuel gauge, center-mounted tachometer with integrated digital speedometer and 4.2-inch LCD color multifunction display for G-force meter, stop watch, engine torque curve map and other vehicle functions	—	●	●
Audio and Communication Systems			
SUBARU STARLINK™ 6.2-inch Multimedia with Pandora,® iHeartRadio,® Stitcher™ and Aha™ smartphone app integration,¹ high-resolution LCD touchscreen display, 8 speakers, AM/FM/CD player, HD Radio® with iTunes® tagging capability, USB port/iPod® control, SiriusXM® All Access Radio,² Bluetooth® audio streaming and hands-free phone connectivity, and 3.5-mm auxiliary jack	●	—	—
SUBARU STARLINK™ 7.0-inch Multimedia Navigation system with Apple CarPlay,™ Android™ Auto, Pandora,® and Aha™ smartphone app integration,¹ STARLINK™ cloud-based applications, including Yelp® and iHeartRadio,® high-resolution LCD touchscreen display, voice-activated controls, SiriusXM® All Access Radio,² Traffic,³ and Travel Link,³ AM/FM stereo with HD Radio,® dual USB port/iPod® control, and Bluetooth® audio streaming and hands-free phone and text messaging connectivity	—	●	●
Security			
Keyless entry system with answer-back electronic chirp	●	●	●
Anti-theft security system	—	●	●
Engine immobilizer	●	●	●
Safety			
ACTIVE			
Vehicle Stability Control (VSC)	●	●	●
Traction Control System (TCS)	●	●	●
4-wheel antilock braking system (ABS) with Electronic Brake-force Distribution (EBD)	●	●	●
Brake Assist	●	●	●
Brake Override System	●	●	●
Tire Pressure Monitoring System (TPMS)	●	●	●
LED Daytime Running Lights (DRL)	●	●	●
Rear-Vision Camera	●	●	●
PASSIVE			
Subaru advanced frontal airbag system with driver and passenger dual-stage deployment front airbags (SRS)⁷	●	●	●
Side-curtain airbags protecting front and rear occupants (SRS)⁷	●	●	●
Seat-mounted front side-impact airbags (SRS)⁷	●	●	●
Whiplash-protection front seats	●	●	●
Height-adjustable front-seat head restraints	●	●	●
Height-adjustable 3-point front seatbelts with pretensioners and force limiters	●	●	●
3-point seatbelts at all rear seating positions	●	●	●
LATCH system: Lower Anchors and Tethers for Children	●	●	●
Optional Equipment			
Performance Package: Includes Brembo® performance braking system, SACHS® performance dampers and 17 x 7.5-inch multi-spoke aluminum-alloy wheels with dark gray finish.	—	○⁴	—

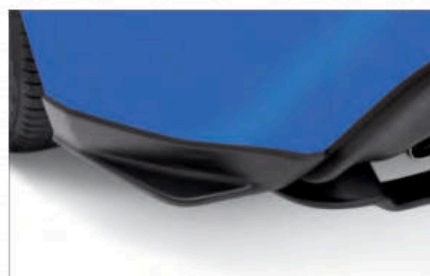
● Standard ○ Optional — Not equipped □ Available retailer-installed accessory



STI Under Spoiler - Front. STI Front Under Spoiler gives the BRZ a mean, ground-hugging look.



STI Under Spoiler - Side. Continue the mean ground-hugging look down the rocker panels of the BRZ. Kit includes both left and right side under spoilers.



STI Under Spoiler - Rear Quarter. Complete the look on the side of the BRZ with the addition of the rear quarter under spoilers. Kit includes both left and right rear quarter under spoilers.



Rear Bumper Diffuser. Lower rear body panel helps to direct airflow and adds a sculpted finishing touch to the BRZ lower rear body line.



Fuel Door Cover - Chrome. Give your BRZ a sportier look by adding a touch of personalization with this chrome-plated fuel door cover.



LED Upgrade - Dome Light. The LED dome light offers brighter, whiter and crisper interior lighting than the standard equipment lighting.



Footwell Illumination Kit. Casts a soft blue or red glow onto the front floor area.



Rear Bumper Appliqué. Clear, scratch-resistant vinyl film helps to protect bumper upper surface and leading edge. Includes a discreet pearl-colored Subaru logo.



Sunshade - Windshield. The foldable sunshade offers a triple layer of protection to help reduce vehicle temperature up to 40 degrees. Custom-cut to fit properly, it includes a handy storage bag.



Auto-Dimming Mirror with Compass and HomeLink®. This upgraded Auto-Dimming Mirror detects glare and darkens automatically to protect your vision while featuring an 8-point digital compass. Three backlit HomeLink® buttons can be programmed to operate most garage doors, security gates, home lighting and more. Can also provide you with the last status of your garage door (open or closed) if programmed to a compatible opener featuring two-way communication.



Kicker® Powered Subwoofer. Provides powerful, deep bass and also assists in clean sound reproduction from all vehicle speakers. This is achieved by its integrated 100W amplifier and a passive crossover network. The self-contained unit mounts in the trunk. Manufactured for Subaru of America by Kicker®. Cannot be installed with Cargo Tray.



STI Alloy Wheels. The 17-inch 15-spoke STI alloy wheel set helps to give the BRZ the perfect blend of attitude and style, combined with improved handling performance and steering precision due to the reduced weight of the alloy when compared to the stock alloy wheels. The wheels are finished in black and finished off with STI-branded center caps.

Protecting Your Investment

Once you're part of our family, we'll be there for you. Every Subaru comes with 24-hour roadside assistance for 3 years or 36,000 miles. If you have trouble on the road, a tow to the nearest Subaru retailer and other services are just a phone call away. And to protect you over the long haul, we offer Added Security®...ask for it by name—extended service agreements and maintenance plans that will help protect your car for up to 10 years or 100,000 miles. They're the only mechanical and maintenance plans backed by Subaru, and because we've been backing them for more than 30 years, they're agreements you can trust. Your retailer has full coverage details.



Subaru Badge of Ownership

Subaru owners are driven by their passions. Whether hiking to see a sunset or skiing through fresh powder. Paddling through rapids or playing fetch with their furry friend. For many, our exclusive Badge of Ownership lets them personalize their vehicle and express their interests. Owners can go to badgeofownership.com to order **FREE** Subaru Badge of Ownership lifestyle icons.



Durability



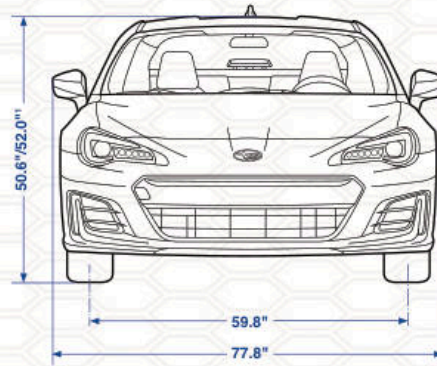
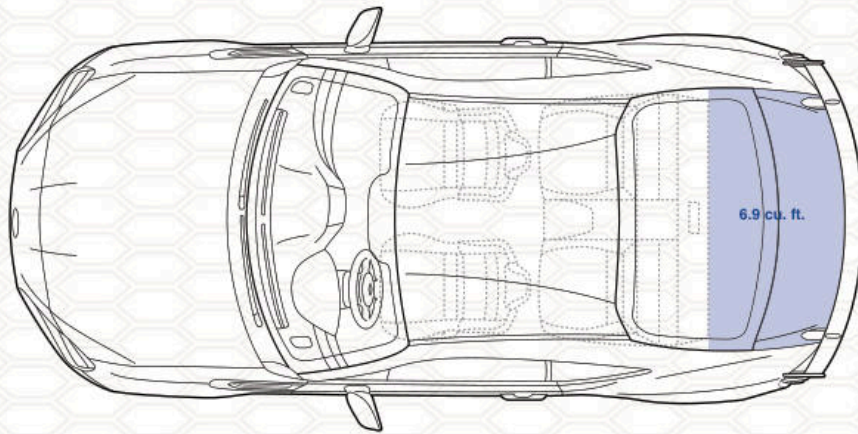
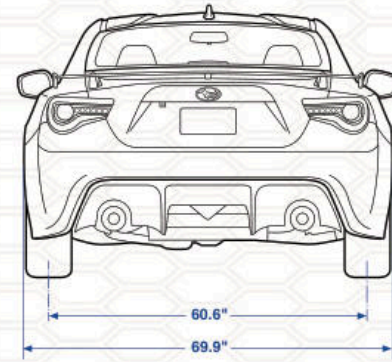
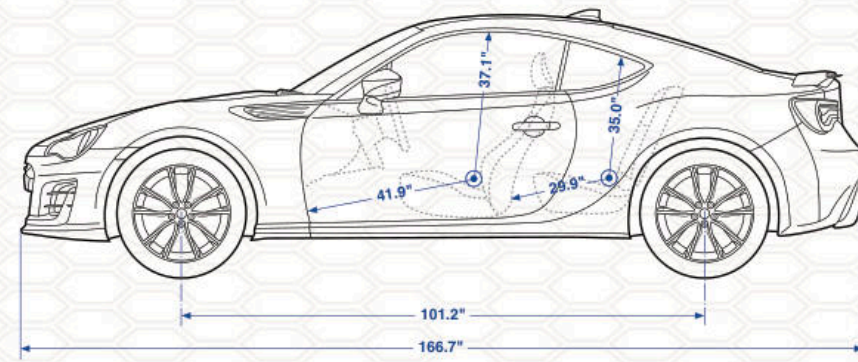
It's not disposable. It's family.

Life moves fast. Don't slow it down with a car you can't trust. At Subaru, we build each of our vehicles with the highest standards of manufacturing and with designs that are inherently tough and resilient. It's why our vehicles excel in the extreme rigors of rally racing. And why 97% of Subaru vehicles sold in the last 10 years are still on the road today.⁸ It's also why Subaru owners are so likely to stay Subaru owners for years and years. What's more, keeping cars on the road means they stay out of landfills longer. And if we can make the world a cleaner and greener place while making cars that inspire and motivate their drivers, we've done our job.

Warranties⁹

New Car Limited Warranty	3 years or 36,000 miles, whichever comes first.	
Powertrain Limited Warranty	5 years or 60,000 miles, whichever comes first.	
Wear Item Limited Warranty	3 years or 36,000 miles, whichever comes first. Repairs to the following items will also be covered under Wear Item Limited Warranty:	<ul style="list-style-type: none"> • Brake Pads • Wiper Blades • Clutch Linings • Transmitter Batteries
Rust Perforation Limited Warranty	5 years, unlimited mileage.	
24-hour Roadside Assistance	3 years or 36,000 miles, whichever comes first.	

1 Compatible smartphone and applications required. For applications to operate, latest version of each application is required. Data provided by smartphone is displayed on the audio system screen. Some state laws prohibit the operation of handheld electronic devices while operating a vehicle. Smartphone apps should only be launched when vehicle is safely parked. Your wireless carrier's rates may apply. 2 Activation and required monthly subscription sold separately. Includes 4-month trial subscription. See your retailer. 3 Activation and monthly subscription sold separately. Includes 3-year trial subscription. See your retailer. 4 Not available with automatic transmission. 5 Limited availability. See your retailer. 6 2019 EPA fuel economy estimates. Actual mileage may vary. 7 The Supplemental Restraint System (SRS) (airbags) affords the driver and the front passenger additional protection in moderate to severe frontal and side-impact collisions and outboard 2nd-row passengers additional protection in moderate to severe side-impact collisions. This system provides supplemental protection only, and seatbelts must be worn in order to avoid injuries to out-of-position occupants upon airbag deployment and to provide the best combined protection in a serious accident. Children should always be properly restrained in one of the rear seats. See Owner's Manual for recommended seating position. 8 Based on IHS Markit U.S. vehicles in operation vs. total new registrations for MY2008-2017 ending in December 2017. 9 All Subaru vehicles sold by Subaru of America, Inc. are designed and built for normal driving conditions. The Subaru Limited Warranty, as well as the Subaru Added Security program, excludes damage or failure resulting from modifications or participation in competition or racing events. See the Subaru Warranty & Maintenance Booklet for further details.



Length/Width/Height	166.7 inches/69.9 inches (77.8 inches, including mirrors)/50.6 inches (52.0 inches, including antenna)
Wheelbase	101.2 inches
Track (front/rear)	59.8 inches/60.6 inches
Base curb weight (manual/automatic)	BRZ Premium: 2,789 lbs./N/A BRZ Limited: 2,798 lbs./2,840 lbs. BRZ Series.Gray: 2,817 lbs./N/A
Coefficient of drag (Cd)	0.27 ²

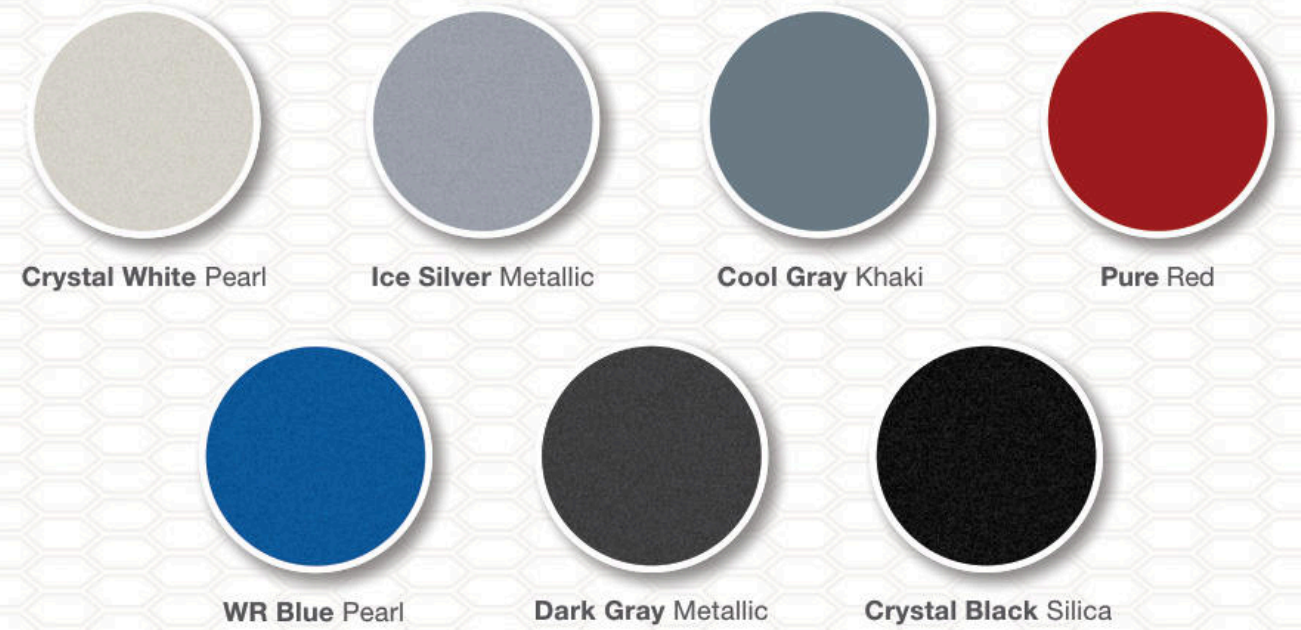
Headroom (front/rear)	37.1 inches/35.0 inches
Legroom (front/rear)	41.9 inches/29.9 inches
Shoulder room (front/rear)	54.5 inches/51.7 inches
Passenger volume	76.5 cubic feet
Trunk volume	6.9 cubic feet

¹ 50.6" without antenna, 52.0" with antenna. ² BRZ Premium and BRZ Limited models only.

Preproduction vehicles shown, production vehicles may vary. Some images shown are for illustration purposes only. Specifications in this brochure are based on the latest product information available at the time of publication. For the most up-to-date and detailed product information, log on to www.subaru.com. Some equipment shown in this brochure is optional at extra cost. Specific options may be available only in combination with other options. Specific combinations of equipment or features may vary from time to time and by geographic area. Certain accessories and equipment may not be available at the time of publication. Subaru of America, Inc., reserves the right to change or discontinue at any time, without notice, prices, colors, materials, equipment, accessories, specifications, models and packages without incurring any obligation to make the same or similar changes on vehicles previously sold. Colors shown may vary due to reproduction and printing processes.

This brochure was prepared by Subaru of America, Inc. A warranty from Subaru of America, Inc., is available only on cars sold to the first retail purchaser through an authorized Subaru retailer in the continental U.S. or Alaska. Subaru, SUBARU BOXER and BRZ are registered trademarks of SUBARU CORPORATION. Added Security is a registered trademark of Subaru of America, Inc. Confidence in Motion and STARLINK are trademarks of SUBARU CORPORATION. Apple®, iPod® and iTunes® are registered trademarks of Apple Inc. Alcantara® is a registered trademark of Alcantara S.p.A. and Alcantara is produced by Toray Group. Aha™ is a trademark of Harman International Industries, Inc. SiriusXM® is a registered trademark of SiriusXM Radio Inc. TORSEN® is a registered trademark of JTEKT Torsen North America, Inc. Bluetooth® is a registered trademark of Bluetooth SIG, Inc. HomeLink® is a registered trademark of Gentex Corporation. Kicker® is a registered trademark of Stillwater Designs and Audio, Inc. HD Radio® is a registered trademark of iBiquity Digital Corporation. iHeartRadio® is a registered trademark of Clear Channel Communications, Inc. Pandora® is a registered trademark of Pandora Media, Inc. Stitcher™ is a trademark of Stitcher, Inc. Brembo® is a registered trademark of Brembo S.p.A. SACHS® is a registered trademark of ZF Sachs AG Corporation. For more information, contact your Subaru retailer or log on to www.subaru.com.

Paint



Upholstery



Color Combinations

	BRZ Premium	BRZ Limited	BRZ Series.Gray
Crystal White Pearl	BC	BA	—
Ice Silver Metallic	BC	BA	—
Cool Gray Khaki	—	—	BA
Pure Red	BC	BA	—
WR Blue Pearl	BC	BA	—
Dark Gray Metallic	BC	BA	—
Crystal Black Silica	BC	BA	—

— Not available

Take a Guided Tour

It's the ultimate way to get to know the BRZ on your terms. Get up close and personal with color configurators, videos, 360-degree views, interactive content and so much more.



Online:
tour.subaru.com/BRZ2019

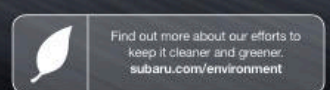


BRZ Series.Gray shown on front cover.

These brochures were printed with vegetable-based inks and produced using a "Green Printing Process." The Forest Stewardship Council® (FSC®) is an international organization that brings people together to find solutions which promote responsible stewardship of the world's forests and environments.

By producing these brochures in a green way rather than by traditional methods, we saved 19 trees preserved for the future; 4,000 gallons of wastewater flow saved; 100 lbs solid waste not generated; 11,000 lbs net greenhouse gases prevented; 8,000,000 BTUs energy not consumed. Calculations provided by Environmental Paper Network. FSC® is not responsible for any calculations on saving resources by choosing this paper.

This brochure is printed in the U.S.A. on 10% recycled paper. ©2018 Subaru of America, Inc. 19BRZ.SRB.525 (S-22204, 40K, 10/18, CG)



Love. It's what makes a Subaru, a Subaru.

