

2020

# BRZ



The Subaru BRZ. For your every action, an immediate reaction.



## The open road is **your canvas.**

There are sports cars with rear-wheel drive. There are also sports cars with responsive steering, a few with nimble handling, and some that are lightweight. The BRZ has all of these characteristics—and more. With the supremely low and balanced 205-horsepower<sup>1</sup> SUBARU BOXER<sup>®</sup> engine, the experience is simply divine. This is how sports cars should be built—and how driving should feel.



### Engaging

With a traditional rear-wheel drive layout, the BRZ pays homage to classic sports car ideals while retaining modern necessities. Its combination of traits—lightness, low center of gravity, fully independent suspension, telepathic handling—deliver an unfiltered, unequivocally enjoyable driving experience.



### Potent

Powered by a 205-hp<sup>1</sup> direct- and port-injected 2.0-liter 4-cylinder SUBARU BOXER<sup>®</sup> engine, the BRZ hits all the right notes in both performance and sound. The sonorous, high rpm symphony from the tuned exhaust system is music to enthusiasts' ears.



### Dialed-in

The ideal sports car driving position means you'll find everything you need right where you need it. The bolstered, sport-design front seats keep you planted, while the small-diameter, leather-wrapped steering wheel is perfectly complemented by an ultra-quick 13.1:1 steering ratio.



### Connected

Everywhere you go in the BRZ, you'll feel connected to your world, thanks to standard SUBARU STARLINK<sup>®</sup> Multimedia Navigation. With a 7.0-inch touchscreen, standard Apple CarPlay<sup>®</sup> and Android Auto<sup>™</sup> integration, and SiriusXM<sup>®</sup> All Access Radio<sup>2</sup>, you can stay connected to all your music and apps no matter where the road takes you. Finding that next epic drive is simple, thanks to the built-in, voice-activated navigation system powered by TomTom.<sup>®</sup>



Build Your BRZ



See the BRZ in action.



1 Manual transmission models only. 2 Activation and required monthly subscription sold separately. Includes 4-month trial subscription. See your retailer for details.

BRZ Limited in Crystal Black Silica with optional Performance Package.

Gripping on a **whole new level.**

BRZ tS® in Ceramic White.


© 2020 BRZ



### 2020 BRZ tS®—tuned for maximum excitement

What was already potent is now beyond exhilarating in the BRZ tS® tuned by STI. Motorsports division Subaru Tecnica International puts the vehicle under an exacting eye and dials it in to make the connection between road and driver downright seamless. STI accomplished this with a stiffened chassis, precision-tuned SACHS® suspension, Brembo® brakes, and Michelin® Pilot® Sport performance tires—all resulting in superb handling. The BRZ tS® gains even more distinction in Ceramic White exterior paint accented by front and rear bumper striping plus bronze 18-inch STI alloy wheels. This is a joyride made for true drivers.



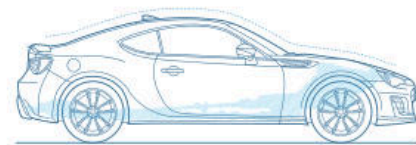
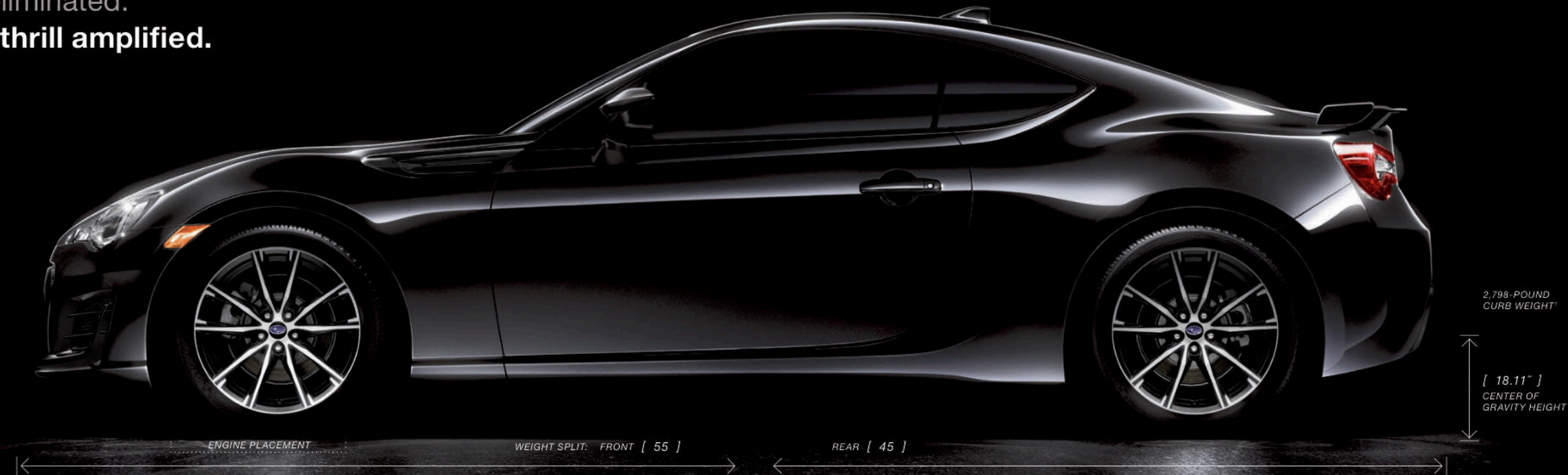


It lacks only one thing—**you.**

#### A Commanding Cockpit

Everything is designed with the driver in mind. From the small-diameter, leather-wrapped steering wheel to the strategically placed pedals, smooth shifter and low-mounted performance-design front seats with deep bolsters and Alcantara® inserts—it's all perfectly assembled to create the ideal sports car driving position. The 4.2-inch multifunction display keeps you informed with a G-force meter, lap timer, engine torque curve maps and more, while Track Mode lets you push the limits of performance driving even further. The dual-zone automatic climate control lets you customize two zones for the perfect levels of comfort. Plus, the SUBARU STARLINK® 7.0-inch Multimedia Navigation system will help keep you connected with standard Apple CarPlay® and Android Auto™ integration, while the built-in TomTom® navigation helps guide you in the right direction.

Every excess eliminated.  
**Every thrill amplified.**

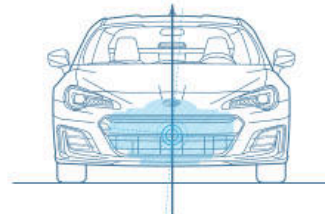


### Lightweight—2,798 Pounds<sup>1</sup>

Lightweight sports cars can react more quickly, accelerate faster, and stop with more authority. With less heft, the 205-hp<sup>2</sup> SUBARU BOXER<sup>®</sup> engine becomes a powerhouse, and the available 12.8-inch Brembo<sup>®</sup> performance brakes—world-beaters. High-tensile steel makes it not only lighter but stiffer, too. Also a priority was balance—so it's rear-wheel drive for better front-to-rear weight distribution.

### Low 0.27 Coefficient of Drag

To a sports car, wind is like weight—the more of it you have to move, the more it takes from your ability to perform. Features like a channeled roof, aerodynamic underbody panels and a rear diffuser help the BRZ cut through the air, sharpening the performance you'll feel.

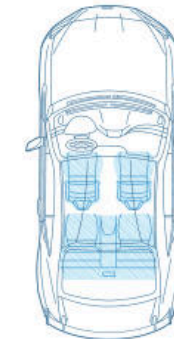


### SUBARU BOXER<sup>®</sup> Engine

Low, stable, with immediate power delivery, the SUBARU BOXER<sup>®</sup> engine with up to 205 hp<sup>2</sup> is the heart and soul of the BRZ. With port- and direct-injection technology, its efficiency is impeccable—up to 33 MPG highway<sup>3</sup>—and its power easily harnessed with either the lauded 6-speed close-ratio manual transmission or a quick-shifting 6-speed automatic transmission with manual mode and paddle shifters.

### Low Center of Gravity

Not only was the engine designed to be compact, allowing it to be mounted lower in the chassis, every element of the BRZ was placed as low as possible, from the roofline to the seating position. This is what gives the BRZ its supercar-like center of gravity measurement—18.11 inches—that keeps it firmly planted to the ground for otherworldly composure and response.



### Driver-centric Ergonomics

With design features like a small-diameter steering wheel and optimally placed short-throw shifter, your hands can fully capitalize on the quick 13.1:1 steering ratio. With sport-design instrumentation, you'll immediately get the information you need most.

### Performance-design Seats

When you're deep in the corners, you'll be glad that the BRZ comes standard with supportive front seats with deep bolsters and Alcantara<sup>®</sup> inserts, which provide extra grip to help keep you in the pocket.

<sup>1</sup> Base curb weight for BRZ Limited. <sup>2</sup> Manual transmission models only. <sup>3</sup> With automatic transmission. 2020 EPA highway fuel economy estimates. Actual mileage may vary.

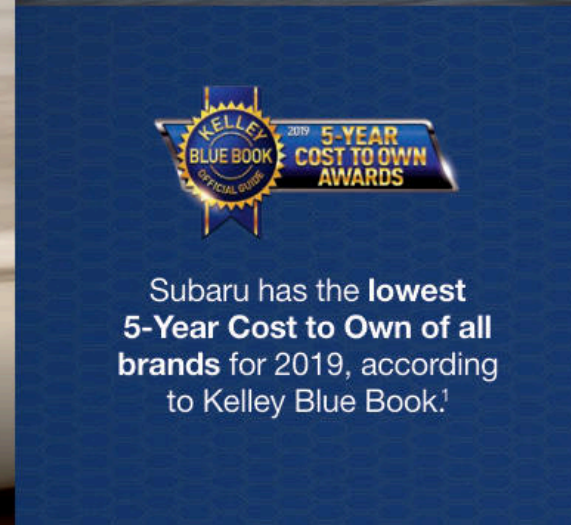


BRZ Limited in WR Blue Pearl with optional Performance Package.

1 Manual transmission models only. See your retailer for details. 2 We do not recommend racing your vehicle. Racing may void the vehicle warranty. See Warranty & Maintenance Booklet for details. If you do race the vehicle, do it safely and lawfully on approved racing tracks. Drive responsibly at all times, and obey all traffic laws.



Subaru is the **Most Trusted Brand** for five years running, according to Kelley Blue Book.<sup>2</sup>



Subaru has the **lowest 5-Year Cost to Own** of all brands for 2019, according to Kelley Blue Book.<sup>1</sup>



Subaru has the **highest automotive brand loyalty** among mainstream brands for 2019, according to J.D. Power.<sup>4</sup>

## Performance Package

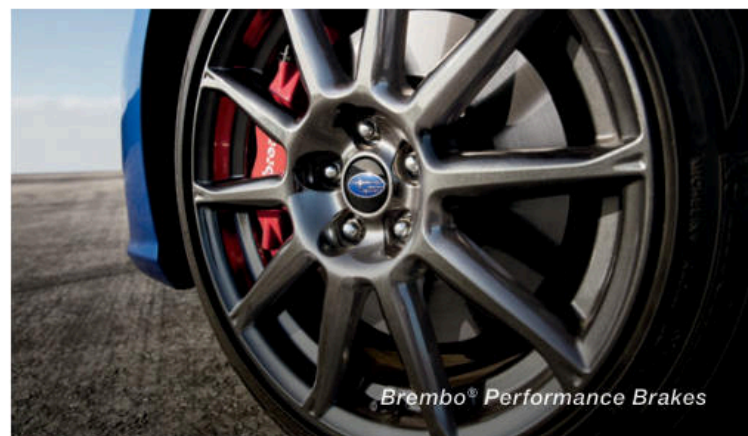
Ready for your best lap.

To push the BRZ harder so it can handle the demands of higher performance driving, look no further than the available Performance Package.<sup>1</sup> With Brembo<sup>®</sup> performance brakes for supreme stopping power, SACHS<sup>®</sup> performance dampers for enhanced stability, and dark gray 17 x 7.5-inch, 10-spoke aluminum-alloy wheels for an exclusive look, this BRZ is ready to perform, lap after lap.<sup>2</sup>



"We've always been fans of the BRZ for its smile-generating ability, something it accomplishes better than many more powerful and expensive cars."

*Motor Trend*



Brembo<sup>®</sup> Performance Brakes



Aluminum Rear Wing

1 2019 model-year vehicle's projected cost to own for the initial five-year ownership period is based on the average Kelley Blue Book 5-Year Cost to Own data, which considers depreciation and costs such as fuel and insurance. For more information, visit Kelley Blue Book's KBB.com. Kelley Blue Book is a registered trademark of Kelley Blue Book Co., Inc. 2 2015-2019 Kelley Blue Book Brand Image Awards are based on the Brand Watch<sup>™</sup> study from Kelley Blue Book Strategic Insights. Award calculated among non-luxury shoppers. For more information, visit Kelley Blue Book's KBB.com. Kelley Blue Book is a registered trademark of Kelley Blue Book Co., Inc. 3 Based on IHS Markit U.S. vehicles in operation vs. total new registrations for MY2009-2018 ending in December 2018. 4 Subaru received the highest score among mass market brands in the J.D. Power 2019 U.S. Automotive Brand Loyalty Study of customers' satisfaction with Automotive Brands. Visit [jdpower.com/awards](http://jdpower.com/awards).



**97% of Subaru vehicles** sold in the last 10 years are still on the road today.<sup>3</sup>

*IHS Markit*



**BRZ Limited**

- 205-hp direct-injection 2.0-liter 4-cylinder SUBARU BOXER® engine
- Close-ratio 6-speed manual transmission
- Sport-tuned suspension
- Multi-spoke 17-inch aluminum-alloy wheels
- LED headlights
- Trunk spoiler
- Heated side mirrors
- LED fog lights
- Alcantara® and leather-trimmed upholstery
- Center console and lower door knee pads with red stitching
- Instrument cluster meter visor with red stitching
- Sport-design gauges with 4.2-inch, color multifunction display
- Heated front seats
- Dual-zone automatic digital climate control
- Auto-up/down power windows

- Electronic cruise control
- Rear-Vision Camera
- Keyless Access with Push-Button Start
- Anti-theft security system
- SUBARU STARLINK® 7.0-inch Multimedia Navigation system with Apple CarPlay® and Android Auto™ integration,<sup>1</sup> STARLINK® cloud-based applications, SiriusXM® All Access Radio,<sup>2</sup> Traffic<sup>®3</sup> and Travel Link,<sup>®3</sup> AM/FM stereo with HD Radio,<sup>®</sup> dual USB input ports/iPod® control, and Bluetooth® audio streaming and hands-free phone and text messaging connectivity
- Carpeted floor mats with embroidered BRZ logo and red stitching
- **Optional Performance Package<sup>4</sup>:** Includes Brembo® performance braking system, SACHS® performance dampers and 17 x 7.5-inch multi-spoke aluminum-alloy wheels with dark gray finish



**BRZ tS<sup>®4,5</sup>**

**Includes BRZ Limited key features and adds:**

- Ceramic White exterior paint
- 18 x 7.5-inch STI lightweight aluminum-alloy wheels with matte bronze finish and 215/40 R18 Michelin® Pilot® Sport summer performance tires
- Brembo® performance braking system
- High-performance STI sport-tuned suspension with SACHS® performance dampers
- Red-accented front grille
- Fog light covers
- Crystal Black Silica folding side mirrors

- Red-accented rear bumper
- Satin chrome rear badging
- Alcantara® and leather-trimmed front seats with red bolsters and stitching, and embroidered logo
- Leather-wrapped steering wheel with red accents and stitching
- Door trim with red accents and stitching
- Red front seat belts
- STI engine start/stop button
- Alcantara® instrument cluster meter visor with red stitching
- Frameless rearview mirror

**Engine and Drivetrain**

**Engine Power | Torque** 2.0-liter DOHC aluminum-alloy 16-valve 4-cylinder horizontally opposed SUBARU BOXER® engine with Dual Active Valve Control System (DAVCS).  
**Manual transmission:** 205 hp @ 7,000 rpm | 156 lb-ft @ 6,400-6,800 rpm  
**Automatic transmission:** 200 hp @ 7,000 rpm | 151 lb-ft @ 6,400-6,600 rpm

**Fuel System** Direct and port fuel injection

**Manual Transmission** Fully synchronized close-ratio 6-speed manual with Incline Start Assist

**Automatic Transmission** 6-speed electronic automatic transmission with Sport mode, manual mode with paddle shifters, rev-matching downshift control and Incline Start Assist.  
**BRZ Limited:** Optional. **BRZ tS<sup>®</sup>:** Not available.

**Traction and Stability**

**Drivetrain** Rear-wheel drive

**Rear Differential** TORSEN® limited slip

**Vehicle Stability Control (VSC)** Includes performance-oriented Track Mode

**Traction Control System (TCS)**

**Fuel**

**Fuel Economy** city/highway/combined<sup>®</sup>

Manual: 21/29/24 mpg  
 Automatic: 24/33/27 mpg  
 BRZ tS<sup>®</sup>: 20/27/23 mpg

**Fuel Requirement** Premium unleaded gasoline (93 octane)

**Fuel Capacity** 13.2 gallons

**Chassis**

**Steering** Electric power-assisted quick ratio rack-and-pinion steering (EPAS). Ratio: 13.1:1. Turns lock-to-lock: 2.48. Turning circle: 35.4 feet.

**Suspension** **BRZ Limited:** Sport-tuned 4-wheel independent. **Front:** Strut-type with lower L-arm. Stabilizer bar. **Rear:** Double-wishbone with shock absorber. Stabilizer bar. **Performance Package<sup>4</sup>:** Sport-tuned 4-wheel independent. **Front:** SACHS® performance strut-type with lower L-arm. Stabilizer bar. **Rear:** Double-wishbone with SACHS® performance shock absorber. Stabilizer bar. **BRZ tS<sup>®4</sup>:** High-performance STI sport-tuned 4-wheel independent. **Front:** STI-tuned SACHS® performance strut-type with STI coil spring and lower L-arm. Stabilizer bar. STI draw stiffener and front strut tower V-brace. **Rear:** Double-wishbone with STI-tuned SACHS® performance shock absorber and STI coil spring. Stabilizer bar.

**Brakes** **BRZ Limited:** 4-wheel disc, ventilated front and rear. Dual-piston front and single-piston rear calipers. 4-channel, 4-sensor ABS with Electronic Brake-force Distribution (EBD). **BRZ tS<sup>®</sup> and Performance Package<sup>4</sup>:** Brembo® performance braking system. 4-wheel disc, ventilated front and rear. 4-piston front and dual-piston rear calipers. 4-channel, 4-sensor ABS with Electronic Brake-force Distribution (EBD).

**Brake Discs (front/rear)** **BRZ Limited:** 11.6 inches/11.4 inches. **BRZ tS<sup>®</sup> and Performance Package<sup>4</sup>:** 12.8 inches/12.4 inches.

**Brake Assist** When emergency braking is detected by how quickly the brake pedal is pressed, maximum brake pressure is immediately applied.

**Brake Override System** If both brake and accelerator pedals are pressed simultaneously, the system reduces the operation of the accelerator pedal to help prevent unintentional vehicle acceleration.

**Wheels and Tires**

**Wheels** **BRZ Limited:** 17 x 7.0-inch multi-spoke aluminum-alloy. Black with machine finish. **Performance Package<sup>4</sup>:** 17 x 7.5-inch multi-spoke aluminum-alloy. Dark gray high-luster finish. **BRZ tS<sup>®4</sup> :** 18 x 7.5-inch STI aluminum-alloy. Matte bronze finish.

**Tires** **BRZ Limited and Performance Package<sup>4</sup>:** 215/45 R17 87W Summer-performance. **BRZ tS<sup>®4</sup> :** 215/40 R18 85Y Summer-performance.

## 2020 BRZ | Equipment

	BRZ Limited	BRZ tS <sup>®</sup>
<b>Exterior</b>		
LED projector low- and high-beam headlights	●	●
LED fog lights	●	—
LED taillights	●	●
Rear bumper with integrated diffuser	●	●
Trunk spoiler	●	●
Satin chrome BRZ and SUBARU rear badging	—	●
Dual stainless-steel exhaust outlets	●	●
Body-color power side mirrors	●	—
Crystal Black Silica power side mirrors	—	●
Heated side mirrors	●	●
<b>Seating and Trim</b>		
6-way manually adjustable driver seat. 4-way manually adjustable front-passenger seat.	●	●
Performance-design front seats with height-adjustable head restraints	●	●
Heated front seats	●	●
Flat-folding rear seatback	●	●
Leather-wrapped 3-spoke steering wheel with red stitching	●	●
Leather-wrapped 3-spoke steering wheel with red accents and stitching	—	●
Leather-wrapped shifter handle	●	●
Alcantara <sup>®</sup> and leather-trimmed upholstery with red-embroidered BRZ logo and stitching	●	—
Alcantara <sup>®</sup> and leather-trimmed upholstery with red bolsters and stitching, and BRZ tS <sup>®</sup> embroidered logo	—	●
Aluminum-alloy pedal covers	●	●
<b>Convenience Features</b>		
Keyless Access with Push-Button Start	●	●
Auto-on/off headlights	●	●
Power front windows with auto-up/down	●	●
Electronic cruise control	●	●
3-spoke steering wheel with integrated audio system, Bluetooth <sup>®</sup> and cruise control buttons	●	●
Tilt/telescoping steering column	●	●
Removable dual-cup holders in center console	●	●
Single bottle holder in each door panel	●	●
12-volt power outlets in center console and glovebox	●	●
<b>Climate Control</b>		
Dual-zone automatic digital climate control system with air filtration and controls for temperature, 7-speed fan, airflow direction, dual-zone lockout and CFC-free air conditioning	●	●

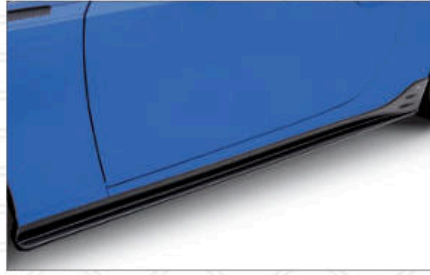
## 2020 BRZ | Equipment

	BRZ Limited	BRZ tS <sup>®</sup>
<b>Instrumentation</b>		
Sport-design gauges with analog speedometer, coolant temperature, fuel gauge, center-mounted tachometer with integrated digital speedometer and 4.2-inch LCD color multifunction display for G-force meter, stop watch, engine torque curve map and other vehicle functions	●	●
<b>Audio and Communication Systems</b>		
SUBARU STARLINK <sup>®</sup> 7.0-inch Multimedia Navigation system with Apple CarPlay <sup>®</sup> and Android Auto™ integration, <sup>1</sup> STARLINK <sup>®</sup> cloud-based applications, high-resolution LCD touchscreen display, voice-activated controls, SiriusXM <sup>®</sup> All Access Radio, <sup>2</sup> Traffic <sup>®3</sup> and Travel Link, <sup>®3</sup> AM/FM stereo with HD Radio, <sup>®</sup> dual USB input ports/iPod <sup>®</sup> control, and Bluetooth <sup>®</sup> audio streaming and hands-free phone and text messaging connectivity	●	●
<b>Security</b>		
Keyless entry system with answer-back electronic chirp	●	●
Anti-theft security system	●	●
Engine immobilizer	●	●
<b>Safety</b>		
<b>ACTIVE</b>		
Vehicle Stability Control (VSC)	●	●
Traction Control System (TCS)	●	●
4-wheel antilock braking system (ABS) with Electronic Brake-force Distribution (EBD)	●	●
Brake Assist	●	●
Brake Override System	●	●
Tire Pressure Monitoring System (TPMS)	●	●
LED Daytime Running Lights (DRL)	●	●
Rear-Vision Camera	●	●
<b>PASSIVE</b>		
Subaru advanced frontal airbag system with driver and passenger dual-stage deployment front airbags (SRS) <sup>7</sup>	●	●
Side-curtain airbags protecting front and rear occupants (SRS) <sup>7</sup>	●	●
Seat-mounted front side-impact airbags (SRS) <sup>7</sup>	●	●
Whiplash-protection front seats	●	●
Height-adjustable front-seat head restraints	●	●
Height-adjustable 3-point front seatbelts with pretensioners and force limiters	●	●
3-point seatbelts at all rear seating positions	●	●
LATCH system: Lower Anchors and Tethers for Children	●	●
<b>Optional Equipment</b>		
<b>Performance Package:</b> Includes Brembo <sup>®</sup> performance braking system, SACHS <sup>®</sup> performance dampers and 17 x 7.5-inch multi-spoke aluminum-alloy wheels with dark gray finish.	○ <sup>4</sup>	—

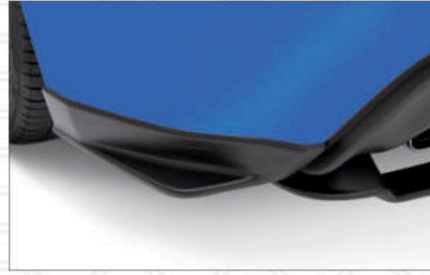
● Standard ○ Optional — Not equipped



**STI Under Spoiler - Front.** STI Front Under Spoiler gives the BRZ a mean, ground-hugging look.



**STI Under Spoiler - Side.** Continue the mean ground-hugging look down the rocker panels of the BRZ. Kit includes both left and right side under spoilers.



**STI Under Spoiler - Rear Quarter.** Complete the look on the side of the BRZ with the addition of the rear quarter under spoilers. Kit includes both left and right rear quarter under spoilers.



**Rear Bumper Diffuser.** Lower rear body panel helps to direct airflow and adds a sculpted finishing touch to the BRZ lower rear body line.



**Fuel Door Cover - Chrome.** Give your BRZ a sportier look by adding a touch of personalization with this chrome-plated fuel door cover.



**LED Upgrade - Dome Light.** The LED dome light offers brighter, whiter and crisper interior lighting than the standard equipment lighting.



**Footwell Illumination Kit.** Casts a soft blue or red glow onto the front floor area.



**Rear Bumper Appliqué.** Clear, scratch-resistant vinyl film helps to protect bumper upper surface and leading edge. Includes a discreet pearl-colored Subaru logo.



**Sunshade - Windshield.** The foldable sunshade offers a triple layer of protection to help reduce vehicle temperature up to 40 degrees. Custom-cut to fit properly, it includes a handy storage bag.



**Auto-Dimming Mirror with Compass and HomeLink®.** This upgraded Auto-Dimming Mirror detects glare and darkens automatically to protect your vision while featuring an 8-point digital compass. Three backlit HomeLink® buttons can be programmed to operate most garage doors, security gates, home lighting and more. Can also provide you with the last status of your garage door (open or closed) if programmed to a compatible opener featuring two-way communication.



**Kicker® Powered Subwoofer.** Provides powerful, deep bass and also assists in clean sound reproduction from all vehicle speakers. This is achieved by its integrated 100W amplifier and a passive crossover network. The self-contained unit mounts in the trunk. Manufactured for Subaru of America by Kicker®. Cannot be installed with Cargo Tray.



**STI Alloy Wheels.** The 17-inch 15-spoke STI alloy wheel set helps to give the BRZ the perfect blend of attitude and style, combined with improved handling performance and steering precision due to the reduced weight of the alloy when compared to the stock alloy wheels. The wheels are finished in black and finished off with STI-branded center caps.

**Protecting Your Investment**

Once you're part of our family, we'll be there for you. Every Subaru comes with 24-hour roadside assistance for 3 years or 36,000 miles. If you have trouble on the road, a tow to the nearest Subaru retailer and other services are just a phone call away. And to protect you over the long haul, we offer Added Security®...ask for it by name—extended service agreements and maintenance plans that will help protect your car for up to 10 years or 100,000 miles. They're the only mechanical and maintenance plans backed by Subaru, and because we've been backing them for more than 30 years, they're agreements you can trust. Your retailer has full coverage details.



**Responsible. Reliable. Ready to join the family.**

At Subaru, we're committed to building a lasting, rewarding relationship with you and the world we share. We start by building our vehicles to last—97% of Subaru vehicles sold in the last 10 years are still on the road today.<sup>6</sup> We also share your desire for a cleaner, greener world. In 2004, Subaru of Indiana Automotive, Inc. (SIA) became the first manufacturing facility in the U.S. to reach zero-landfill status—nothing from its manufacturing efforts ever goes into a landfill. Subaru is headquartered in a zero-landfill office in Camden, N.J.

000475 038000 102000 157000 248000



**More than a Car Company.™**

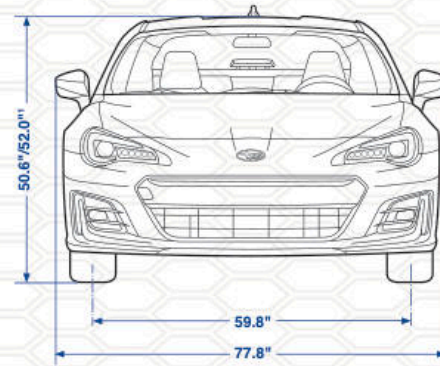
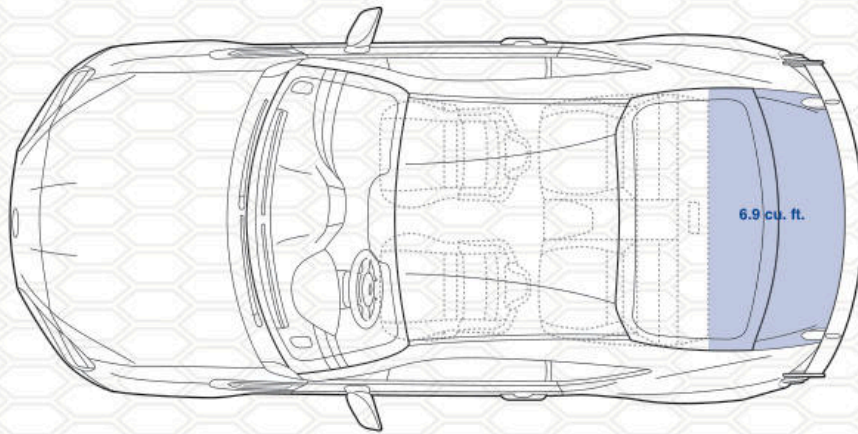
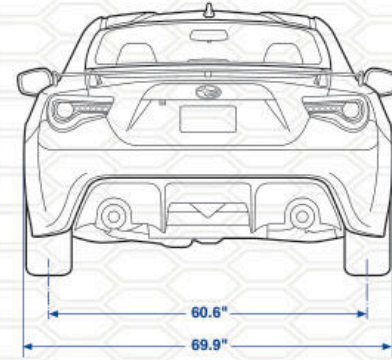
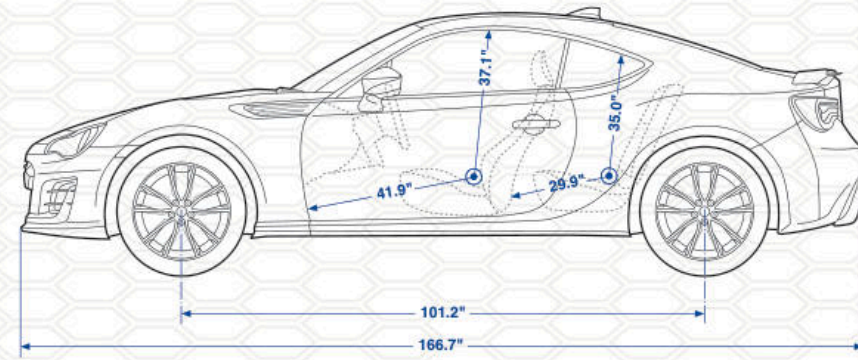


Love means being more than a car company. The **Subaru Love Promise** is our vision to show love and respect to all people at every interaction with Subaru. Together with our retailers, we are dedicated to making the world a better place.

**Warranties<sup>9</sup>**

<b>New Car Limited Warranty</b>	3 years or 36,000 miles, whichever comes first.	
<b>Powertrain Limited Warranty</b>	5 years or 60,000 miles, whichever comes first.	
<b>Wear Item Limited Warranty</b>	3 years or 36,000 miles, whichever comes first. Repairs to the following items will also be covered under Wear Item Limited Warranty:	<ul style="list-style-type: none"> <li>• Brake Pads</li> <li>• Wiper Blades</li> <li>• Clutch Linings</li> <li>• Transmitter Batteries</li> </ul>
<b>Rust Perforation Limited Warranty</b>	5 years, unlimited mileage.	
<b>24-hour Roadside Assistance</b>	3 years or 36,000 miles, whichever comes first.	

1 Compatible smartphone and applications required. For applications to operate, latest version of each application is required. Data provided by smartphone is displayed on the audio system screen. Some state laws prohibit the operation of handheld electronic devices while operating a vehicle. Smartphone apps should only be launched when vehicle is safely parked. Your wireless carrier's rates may apply. 2 Activation and required monthly subscription sold separately. Includes 4-month trial subscription. See your retailer. 3 Activation and monthly subscription sold separately. Includes 3-year trial subscription. See your retailer for details. 4 Not available with automatic transmission. 5 Limited availability. See your retailer for details. 6 2020 EPA fuel economy estimates. Actual mileage may vary. 7 The Supplemental Restraint System (SRS) (airbags) affords the driver and the front passenger additional protection in moderate to severe frontal and side-impact collisions and outboard 2nd-row passengers additional protection in moderate to severe side-impact collisions. This system provides supplemental protection only, and seatbelts must be worn in order to avoid injuries to out-of-position occupants upon airbag deployment and to provide the best combined protection in a serious accident. Children should always be properly restrained in one of the rear seats. See Owner's Manual for recommended seating position. 8 Based on IHS Markit U.S. vehicles in operation vs. total new registrations for MY2009-2018 ending in December 2018. 9 All Subaru vehicles sold by Subaru of America, Inc. are designed and built for normal driving conditions. The Subaru Limited Warranty, as well as the Subaru Added Security program, excludes damage or failure resulting from modifications or participation in competition or racing events. See the Subaru Warranty & Maintenance Booklet for further details.



<b>Length/Width/Height</b>	166.7 inches/69.9 inches (77.8 inches, including mirrors)/50.6 inches (52.0 inches, including antenna) <sup>1</sup>
<b>Wheelbase</b>	101.2 inches
<b>Track (front/rear)</b>	59.8 inches/60.6 inches
<b>Base curb weight (manual/automatic)</b>	<b>BRZ Limited:</b> 2,798 lbs./2,840 lbs. <b>BRZ tS<sup>®</sup>:</b> 2,833 lbs./N/A
<b>Coefficient of drag (Cd)</b>	0.27 <sup>2</sup>

<b>Headroom (front/rear)</b>	37.1 inches/35.0 inches
<b>Legroom (front/rear)</b>	41.9 inches/29.9 inches
<b>Shoulder room (front/rear)</b>	54.5 inches/51.7 inches
<b>Passenger volume</b>	76.5 cubic feet
<b>Trunk volume</b>	6.9 cubic feet

<sup>1</sup> 50.6" without antenna, 52.0" with antenna. <sup>2</sup> BRZ Limited models only.

Preproduction vehicles shown, production vehicles may vary. Some images shown are for illustration purposes only. Specifications in this brochure are based on the latest product information available at the time of publication. For the most up-to-date and detailed product information, log on to [www.subaru.com](http://www.subaru.com). Some equipment shown in this brochure is optional at extra cost. Specific options may be available only in combination with other options. Specific combinations of equipment or features may vary from time to time and by geographic area. Certain accessories and equipment may not be available at the time of publication. Subaru of America, Inc., reserves the right to change or discontinue at any time, without notice, prices, colors, materials, equipment, accessories, specifications, models and packages without incurring any obligation to make the same or similar changes on vehicles previously sold. Colors shown may vary due to reproduction and printing processes.

This brochure was prepared by Subaru of America, Inc. A warranty from Subaru of America, Inc., is available only on cars sold to the first retail purchaser through an authorized Subaru retailer in the continental U.S. or Alaska. Subaru, SUBARU BOXER, BRZ, STARLINK and tS are registered trademarks of SUBARU CORPORATION. Added Security is a registered trademark of Subaru of America, Inc. More Than a Car Company is a trademark of Subaru of America, Inc. Apple CarPlay<sup>®</sup> and iPod<sup>®</sup> are registered trademarks of Apple Inc. Alcantara<sup>®</sup> is a registered trademark of Alcantara S.p.A. and Alcantara is produced by Toray Group. Android Auto<sup>™</sup> is a trademark of Google LLC. Bluetooth<sup>®</sup> is a registered trademark of Bluetooth SIG, Inc. Brembo<sup>®</sup> is a registered trademark of Brembo S.p.A. HomeLink<sup>®</sup> is a registered trademark of Genex Corporation. Kicker<sup>®</sup> is a registered trademark of Stillwater Designs and Audio, Inc. HD Radio<sup>®</sup> is a registered trademark of iBiquity Digital Corporation. Michelin<sup>®</sup> and Pilot<sup>®</sup> are registered trademarks of Michelin North America Inc. SACHS<sup>®</sup> is a registered trademark of ZF Sachs AG Corporation. SiriusXM<sup>®</sup> Traffic<sup>®</sup> and Travel Link<sup>®</sup> are registered trademarks of SiriusXM Radio Inc. TomTom<sup>®</sup> is a registered trademark of TomTom International B.V. TORSEN<sup>®</sup> is a registered trademark of JTEKT Torsen North America, Inc. For more information, contact your Subaru retailer, or log on to [www.subaru.com](http://www.subaru.com).

Paint



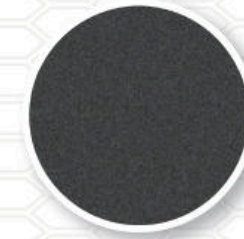
Crystal White Pearl



Ice Silver Metallic



WR Blue Pearl



Magnetite Gray Metallic



Crystal Black Silica



Ceramic White

Upholstery



Black Leather / Alcantara<sup>®</sup> (BA)



Red Leather / Alcantara<sup>®</sup> (RB)

Color Combinations

	BRZ Limited	BRZ tS <sup>®</sup>
Crystal White Pearl	BA	—
Ceramic White	—	RB
Ice Silver Metallic	BA	—
WR Blue Pearl	BA	—
Magnetite Gray Metallic	BA	—
Crystal Black Silica	BA	—

— Not available



See the BRZ in action.



Build Your BRZ

Love. It's what makes Subaru, Subaru.

