

Outback

2017



The Subaru Outback. Built to take you to the place you've never been.



Make every adventure count.

The 2017 Subaru Outback

The Outback helps you seize every free moment with drop-everything-and-go versatility, plus durability you can count on! With retractable roof cross bars with tie-downs² and standard Subaru Symmetrical All-Wheel Drive, you'll always be geared up and in control. You'll also feel protected with available SUBARU STARLINK™ Safety and Security Connected Services that can promptly send first responders when an airbag deploys, help police locate your vehicle if it's stolen, and more.³ When you want to spend more time adventuring and less time preparing, there's no other choice. With the Outback, versatility comes standard.

The all-new Outback Touring

The Outback of your dreams has arrived. The all-new Touring trim is exclusively styled, fully equipped, and loaded with more luxury than any Outback before.



1 | 2017 Outback

Efficient

The standard **SUBARU BOXER**[®] engine and Lineartronic[®] CVT give you up to **32 highway MPG**,⁴ making it the most fuel-efficient vehicle in its class⁵

Capable

Subaru Symmetrical All-Wheel Drive comes standard, as does **X-MODE**[®] with **Hill Descent Control** and the best ground clearance of any midsize crossover.⁶ Never fear the road less traveled.

Versatile

With standard **60/40 split-folding reclining rear seats**, a surprisingly spacious **108.1 cu. ft. interior**⁷ and an **available power rear gate**, the Outback is adventure-ready. Just pack up and go.

Safe

To alert you of potential trouble and help you avoid it, there are a wealth of available features, including **Blind-Spot Detection**,⁸ **Rear Cross-Traffic Alert**⁸ and the acclaimed **EyeSight**[®] **Driver Assist Technology**⁹ with **Lane Keep Assist**.

1 Longevity based on IHS Automotive, Polk U.S. vehicles in operation registration statistics MY2008–2014 in the Non-Luxury Midsize CUV category as of October 2015. 2 Not available on Touring models. 3 Activation and required subscription sold separately. Includes one-year Safety Plus trial subscription. See your retailer for details. 4 EPA estimated fuel economy for 2017 Outback 2.5i at 32 highway MPG. Actual mileage may vary. 5 Based on EPA estimated highway fuel economy for MY2016 vehicles within the Non-Luxury Midsize CUV segment. Segment definitions supplied by IHS Automotive. 6 Based on ground clearance information from OEM websites and Edmunds.com for 2016 model vehicles within the IHS Automotive, Polk Non-Luxury Midsize CUV segment. 7 Without available moonroof. 8 Blind-Spot Detection, Lane Change Assist and Rear Cross-Traffic Alert are systems designed to assist the driver by monitoring the rear and side areas of the vehicle during a lane change or reversing and are not a substitute for safe and attentive driving. 9 EyeSight is a driver assist technology, which may not operate optimally under all driving conditions. The driver is always responsible for safe and attentive driving. System effectiveness depends on many factors such as vehicle maintenance, weather and road conditions. See Owner's Manual for complete details on system operations and limitations. Please remember to turn off EyeSight when going through a carwash.

Ready for anything. **Just like you.**

Versatile and Capable

Standard Subaru Symmetrical All-Wheel Drive and 8.7 inches of ground clearance give the Outback SUV-level capability in a crossover package. The Outback also transcends its category with more versatility than you'd expect. The available height-adjustable power rear gate simplifies loading and unloading by opening the gate with a simple push of a button on your key fob or dashboard, while one-touch folding rear seats let you easily fold the seats down from the rear of the vehicle. Through and through, the Outback was built to help you get out and do more of what you love doing.

Efficient and Powerful

Whether you go with the responsive 32 highway MPG¹ 2.5-liter SUBARU BOXER[®] engine or the smooth and powerful 256-horsepower 3.6R, the Outback will surprise you with its get-up-and-go.

¹ EPA estimated fuel economy for 2017 Outback 2.5i at 32 highway MPG. Actual mileage may vary.



Power Rear Gate



One-touch Folding Rear Seats

Outback 2.5i Premium in Twilight Blue Metallic with optional and accessory equipment.

Rough it. In style.

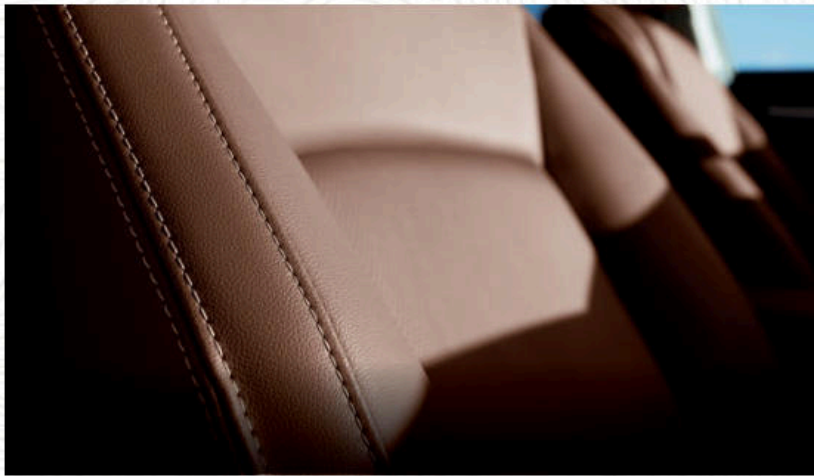


Outback 3.6R Touring with Java Brown Leather.

The new Outback Touring Trim

Outfitted with either the efficient 2.5-liter or powerful 3.6-liter SUBARU BOXER® engine, the Outback Touring features an exclusively unique styling flair throughout, punctuated by its available Brilliant Brown Pearl exterior paint color, perforated Java Brown Leather seating and a striking woodgrain interior finish. It also comes fully loaded with every top-tier feature available, including EyeSight® Driver Assist Technology¹; the SUBARU STARLINK™ Multimedia Navigation System, a Harman Kardon® 576-watt equivalent premium audio system and a heated steering wheel. This is an Outback like no other, with more luxury and more useful features than ever before.

¹ EyeSight is a driver assist technology, which may not operate optimally under all driving conditions. The driver is always responsible for safe and attentive driving. System effectiveness depends on many factors such as vehicle maintenance, weather and road conditions. See Owner's Manual for complete details on system operations and limitations. Please remember to turn off EyeSight when going through a carwash.



© 2017 Subaru



7 | 2017 Outback

Embrace the journey

A space you can really get used to.

Step inside the spacious 108.1-cubic-foot cabin,¹ and you'll find versatility and comfort from front to back. The available 10-way adjustable driver's seat with memory will keep you focused and content, while the supple-yet-supportive reclining rear seats with 60/40-folding functionality provide first-class treatment for your passengers and cargo alike. Your Outback has more hands-free options than ever before, thanks to Siri® Eyes-Free integration.

The available high-res touchscreen navigation system helps you find your way, while SUBARU STARLINK™² gives news, weather, stocks, music, podcasts and audiobooks via listening apps like Pandora,® iHeart® Radio and Aha™ plus a 4-month free trial subscription to the available SiriusXM® Satellite Radio.³ Hear it all with incredible depth and clarity, thanks to the available 576-watt equivalent premium audio system with 12 Harman Kardon® speakers.

“The 2017 Outback received the **highest possible 2016 rating for front crash prevention** from IIHS when equipped with Subaru EyeSight®.”

– Insurance Institute for Highway Safety (IIHS)

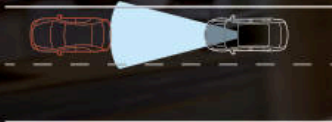
A vigilant safety feature that gives
peace of mind to every drive.

Pre-Collision Braking



A driver ahead unexpectedly hits the brakes or cuts you off. EyeSight®¹ warns you, applies the brakes and, at lower speeds, can even help you stop your Subaru.

Adaptive Cruise Control



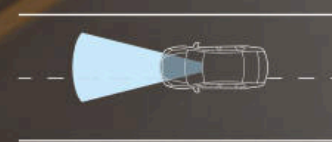
Traffic doesn't always flow smoothly, so EyeSight® doesn't only keep a set speed. The system looks ahead and helps your Subaru automatically adjust to keep your distance, even in stop-and-go highway traffic.

Pre-Collision Throttle Management

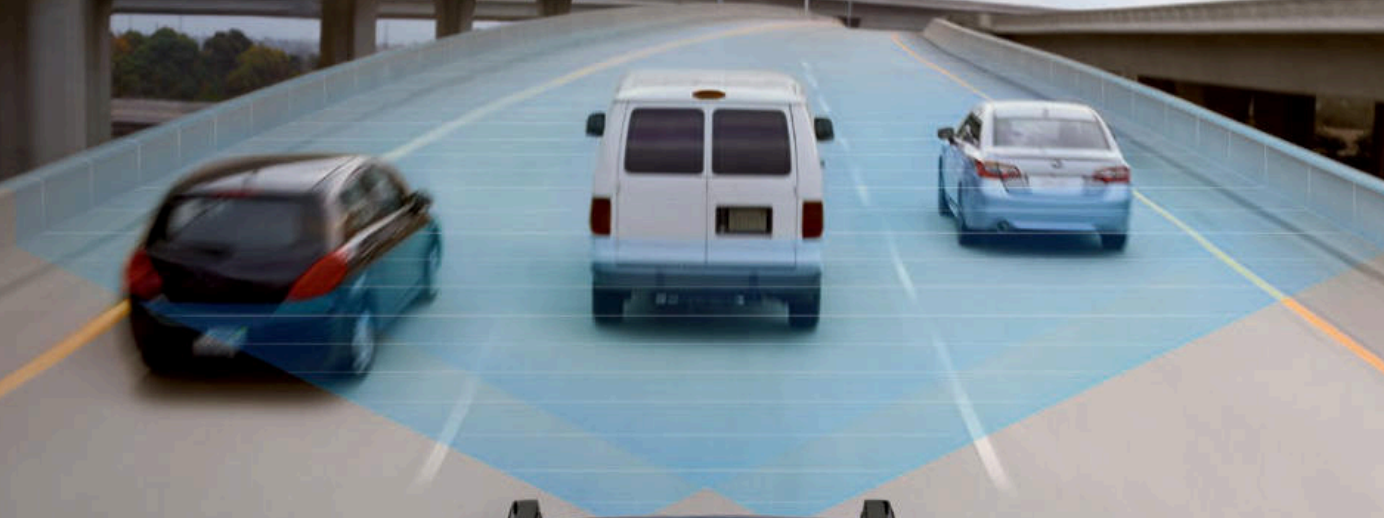


If you put the car in Drive instead of Reverse and EyeSight® sees an object in your path, it cuts power to help you avoid accelerating into it.

Lane Departure and Sway Warning



You accidentally drift to the edge of your lane and begin to cross into another. EyeSight® watches for lane markers and chimes to warn you before you leave your lane, and it can even help steer you back into your proper course, thanks to the newest feature from EyeSight® — Lane Keep Assist.



¹ EyeSight is a driver assist technology, which may not operate optimally under all driving conditions. The driver is always responsible for safe and attentive driving. System effectiveness depends on many factors such as vehicle maintenance, weather and road conditions. See Owner's Manual for complete details on system operation and limitations. Please remember to turn off EyeSight when going through a carwash.

Better at what **Subaru** does best.

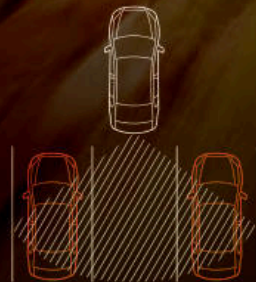
Enhanced Safety Features

In terms of safety, the 2017 Outback is one of our proudest achievements. Not only does it have excellent standard features like a Rear-Vision Camera and eight airbags¹ that help protect you from multiple angles, you're also protected from danger you don't see coming, thanks to available features like Blind-Spot Detection with Lane Change Assist and Rear Cross-Traffic Alert² plus two new available features for 2017—High Beam Assist³ (HBA) and Reverse Automatic Braking (RAB)⁴. High Beam Assist helps by activating or dimming your high beams automatically so you can always see what's ahead. For what you can't see behind you, Reverse Automatic Braking (RAB)⁴ can provide automatic vehicle braking if an obstacle is detected within its range while the vehicle is backing up at low speed. Under the watchful eye of the available SUBARU STARLINK™ Safety and Security features,⁵ you'll always feel safe and sound.



Rear Cross-Traffic Alert

Rear Cross-Traffic Alert² uses radar sensors to help warn you of traffic approaching from the side as you are backing up, utilizing a flashing visual indicator in your side mirror and an audible warning.



Reverse Automatic Braking

New for 2017, Reverse Automatic Braking⁴ can detect objects directly behind your vehicle when backing up at a low speed and can help bring the Outback to a stop should an object be detected within its range and the driver fail to act. There's also a Rear-Vision Camera to help you keep an eye out.



Blind-Spot Detection

Using radar sensors, Blind-Spot Detection warns you with a visual indicator in your side mirror if it senses a vehicle in your blind spot. Another feature of this system, **Lane Change Assist**, alerts you with a flashing indicator in each side mirror if it senses a vehicle approaching in a neighboring lane while you signal for a lane change.²



STARLINK™ Safety and Security

Instant access to help when you need it most 24/7, 365 days a year. That's the reassurance of the all-new STARLINK™ Safety and Security Connected Services that can promptly send first responders when an airbag deploys, help police locate your vehicle if it's stolen, and more.⁵

1 Always wear seatbelts. Children should be properly restrained in the rear seat. 2 Blind-Spot Detection, Lane Change Assist and Rear Cross-Traffic Alert are systems designed to assist the driver by monitoring the rear and side areas of the vehicle during a lane change or reversing and are not a substitute for safe and attentive driving. 3 Requires EyeSight. 4 This system is not a substitute for safe and attentive driving. System effectiveness depends on many factors, such as vehicle maintenance, weather and road conditions. Always exercise caution and use vehicle mirrors and the Rear-Vision Camera when backing up. See Owner's Manual for complete details on system operation and limitations. 5 Activation and required subscription sold separately. Includes one-year Safety Plus trial subscription. See your retailer for details.

“The best-selling all-wheel drive crossover in its segment for the past 7 years.”¹

IHS Automotive



“Subaru is the 2016 Best Overall Brand, Most Trusted Brand and Best Resale Value, according to Kelley Blue Book’s KBB.com.”²

2017 Outback | Trim Levels



2.5i

- 175-hp 2.5-liter 4-cylinder SUBARU BOXER® engine
- Subaru Symmetrical All-Wheel Drive with Active Torque Vectoring
- Lineartronic® CVT (Continuously Variable Transmission) with 6-speed manual-mode paddle shifters
- X-MODE® featuring Hill Descent Control (HDC)
- 17-inch aluminum-alloy wheels
- SUBARU STARLINK™ 6.2" Multimedia System with smartphone app integration⁵, high-resolution LCD touchscreen display, 4 speakers, AM/FM/CD player, HD Radio⁶ with iTunes® tagging capability, USB port/iPod® control, Bluetooth® audio streaming and hands-free phone connectivity
- Cloth upholstery
- 6-way manually adjustable driver's seat. 4-way manually adjustable front-passenger's seat.
- Manually adjustable CFC-free air conditioning system with air filtration
- Driver's auto-up/down power window
- In-dash and cargo-area 12-volt power outlets
- Cargo-area tray, tie-downs and grocery bag hooks
- Welcome lighting
- Auto-on/off wiper-linked headlights



2.5i Premium

Includes 2.5i key features and adds:

- SUBARU STARLINK™ 7.0" Multimedia Plus System with smartphone app integration⁵, voice-activated controls, Siri® Eyes-Free, 6 speakers, SiriusXM® Satellite Radio⁶ and Travel Link⁸
- Fog lights
- 10-way power adjustable driver's seat
- All-Weather Package: Heated exterior mirrors, 3-mode heated front seats, windshield wiper de-icer
- Dual-zone automatic climate control system with air filtration
- Leather-wrapped steering wheel and shifter handle
- Front-passenger's auto-up/down power window
- Electroluminescent gauges with LCD color display
- STARLINK™ Safety Plus enabled⁷: Automatic Collision Notification, SOS Emergency Assistance, Enhanced Roadside Assistance, Maintenance Notifications, Monthly Vehicle Health Report, Diagnostic Alerts



2.5i Limited

Includes 2.5i Premium key features and adds:

- Premium audio system with 12 Harman Kardon® GreenEdge® speakers, including center dash speaker and subwoofer, and Harman Kardon® 576-watt equivalent GreenEdge® amplifier
- Blind-Spot Detection with Lane Change Assist and Rear Cross-Traffic Alert⁸
- 18-inch aluminum-alloy wheels. Black with machine finish.
- Power moonroof
- Keyless Access with Push-button Start
- Power rear gate with height memory functions
- All-Weather Package: Heated exterior mirrors, 3-mode heated front seats and dual-mode heated rear seats, windshield wiper de-icer
- Leather-trimmed upholstery
- 10-way power adjustable driver's seat with 2-position memory, 4-way power adjustable front-passenger's seat.
- Woodgrain-patterned matte finish accent trim
- Side mirrors with integrated turn signals



2.5i Touring

Includes 2.5i Limited key features and adds:

- Java Brown Leather-trimmed upholstery
- Heated steering wheel
- HID low-beam headlights
- Touring appearance package
- Low-profile roof rails: silver finish
- 18-inch aluminum-alloy wheels. Dark gray with machine finish.
- Unique dark-gray front grille
- Lower door cladding with chrome accents
- Body-color door handles with chrome inserts
- Rear bumper cover
- Unique woodgrain-patterned matte finish accent trim
- Piano gloss black interior trim
- SUBARU STARLINK™ 7.0" Multimedia Navigation System with SiriusXM® Satellite Radio⁶, Traffic⁹ and Travel Link⁸. Includes three years of Map updates and SiriusXM® Radio.
- EyeSight® Driver Assist Technology¹⁰
- High Beam Assist (HBA)
- Reverse Automatic Braking (RAB)¹¹



3.6R Limited

Includes 2.5i Limited key features and adds:

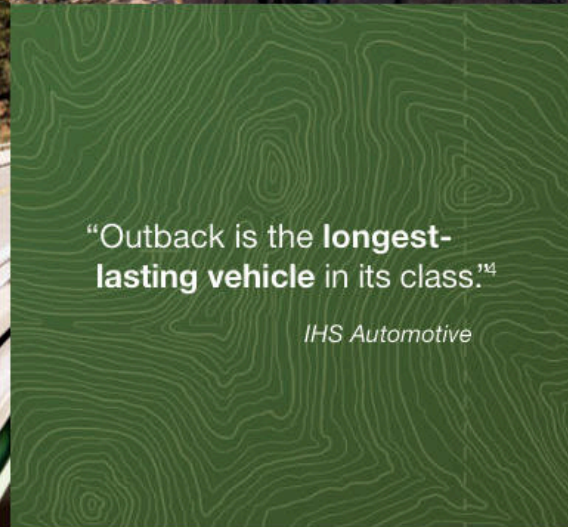
- 256-hp 3.6-liter 6-cylinder SUBARU BOXER® engine
- HID low-beam headlights
- Lineartronic® HCVT (High-Torque Continuously Variable Transmission) with 6-speed manual-mode paddle shifters
- Dual exhaust outlets



3.6R Touring

Includes 2.5i Touring key features and adds:

- 256-hp 3.6-liter 6-cylinder SUBARU BOXER® engine
- Lineartronic® HCVT (High-Torque Continuously Variable Transmission) with 6-speed manual-mode paddle shifters
- Dual exhaust outlets



“Outback is the longest-lasting vehicle in its class.”⁴

IHS Automotive



“The 2016 Subaru Outback was named **Best Wagon for Families.**”³

U.S. News & World Report



¹ Based on IHS Automotive, Polk U.S. Total Registrations for all-wheel drive vehicle in the Subaru Custom Midsize CUV segment for January 2009–December 2015. ² 2016 Kelley Blue Book Brand Image Awards are based on the Brand Watch study from Kelley Blue Book Strategic Insights. Awards calculated among non-luxury shoppers. For more information, visit www.kbb.com. Vehicle's projected resale value is specific to the 2016 model year. For more information, visit Kelley Blue Book's KBB.com. Kelley Blue Book is a registered trademark of Kelley Blue Book Co., Inc. ³ View U.S. News Best Cars at www.usnews.com/cars. ⁴ Longevity based on IHS Automotive, Polk U.S. vehicles in operation registration statistics MY2008–2014 in the Non-Luxury Midsize CUV category as of October 2015. ⁵ Compatible smartphone and applications required. For applications to operate, latest version of each application is required. Data provided by smartphone is displayed on the audio system screen. Some state laws prohibit the operation of handheld electronic devices while operating a vehicle. Smartphone apps should only be launched when vehicle is safely parked. Your wireless carrier's rates may apply. ⁶ Activation and required monthly subscription sold separately. Includes 4-month trial subscription. See your retailer. ⁷ Activation and required subscription sold separately. Includes one-year trial subscription. See your retailer for details. ⁸ Blind-Spot Detection, Lane Change Assist and Rear Cross-Traffic Alert are systems designed to assist the driver by monitoring the rear and side areas of the vehicle during a lane change or reversing and are not a substitute for safe and attentive driving. ⁹ Activation and monthly subscription sold separately. Includes 3-year trial subscription. See your retailer. ¹⁰ EyeSight is a driver assist technology, which may not operate optimally under all driving conditions. The driver is always responsible for safe and attentive driving. System effectiveness depends on many factors such as vehicle maintenance, weather and road conditions. See Owner's Manual for complete details on system operations and limitations. Please remember to turn off EyeSight when going through a carwash. ¹¹ This system is not a substitute for safe and attentive driving. System effectiveness depends on many factors, such as vehicle maintenance, weather and road conditions. Always exercise caution and use vehicle mirrors and the Rear-Vision Camera when backing up. See Owner's Manual for complete details on system operation and limitations.

2017 Outback | Specifications

Engine and Drivetrain		2.5i	3.6R
Power Torque	2.5-liter DOHC aluminum-alloy 16-valve 4-cylinder horizontally opposed SUBARU BOXER® engine with Active Valve Control System (AVCS). 175 hp @ 5,800 rpm 174 lb-ft @ 4,000 rpm	●	—
	3.6-liter DOHC aluminum-alloy 24-valve 6-cylinder horizontally opposed SUBARU BOXER® engine with Dual Active Valve Control System (DAVCS). 256 hp @ 6,000 rpm 247 lb-ft @ 4,400 rpm	—	●
Automatic Transmission	Lineartronic® CVT (Continuously Variable Transmission) with Adaptive Control, Hill Holder® and 6-speed manual mode with paddle shifters.	●	—
	Lineartronic® HCVT (High-Torque Continuously Variable Transmission) with Adaptive Control, Hill Holder® and 6-speed manual mode with paddle shifters.	—	●
CA Emissions		LEV III/SULEV 30 ¹	LEV III/ULEV 125
Maximum Towing Capacity	2,700 lbs.	●	●
Traction and Stability			
All-Wheel Drive type	Subaru Symmetrical All-Wheel Drive	●	●
X-MODE®	X-MODE® optimizes engine output and transmission ratio, increases all-wheel drive system engagement and uses enhanced control of the VDC system to reduce individual wheelspin, providing optimal traction on low-friction surfaces.	●	●
Hill Descent Control (HDC)	X-MODE® also incorporates Hill Descent Control that helps to maintain a constant vehicle speed when traveling downhill, enhancing vehicle control.	●	●
Vehicle Dynamics Control (VDC)	VDC electronic stability control utilizes sensors that constantly monitor wheel speeds, steering angle, brake pressure, vehicle yaw rate and lateral g-forces. If VDC detects a difference between the driver's intended path and the one the vehicle is actually taking, VDC applies braking power and/or reduces engine torque to help correct vehicle path.	●	●
Active Torque Vectoring	Active Torque Vectoring works in tandem with VDC to apply braking power to the inside front wheel, resulting in better handling, sharper turn-in, more neutral steering and higher cornering limits when turning.	●	●
Traction Control System (TCS)	VDC also incorporates an all-wheel, all-speed traction control system, which senses a loss of traction and applies braking force to the slipping wheel or wheels as necessary to maintain vehicle motion.	●	●

2017 Outback | Specifications

Fuel		2.5i	3.6R
Economy	city/highway/combined ²	25/32/28 mpg	20/27/22 mpg
Fuel Requirement	Unleaded gasoline (87 octane)	●	●
Fuel Capacity	18.5 gallons	●	●
Chassis			
Steering	Electric power-assisted rack-and-pinion steering (EPAS). Turning circle: 36.1 feet.	●	●
Suspension	4-wheel independent raised suspension. Front: MacPherson strut type. Stabilizer bar. Rear: Double-wishbone. Stabilizer bar.	●	●
Brakes	4-wheel disc. Ventilated front and rear. 4-channel, 4-sensor ABS with Electronic Brake-force Distribution (EBD)	●	●
Brake Discs (front/rear)	12.4 inches/11.8 inches	●	●
Brake Assist	When emergency braking is detected by how quickly the brake pedal is pressed, maximum brake pressure is immediately applied.	●	●
Brake Override System	If both brake and accelerator pedals are pressed simultaneously, the system reduces the operation of the accelerator pedal to help prevent unintentional vehicle acceleration.	●	●
Electronic Parking Brake		●	●
Wheels and Tires			
Wheels	2.5i and 2.5i Premium: 17 x 7.0-inch aluminum-alloy. Silver finish.	●	—
	2.5i Limited and 3.6R Limited: 18 x 7.0-inch aluminum-alloy. Black with machine finish. 2.5i Touring and 3.6R Touring: 18 x 7.0-inch aluminum-alloy. Dark gray with machine finish.	●	●
Tires	2.5i and 2.5i Premium: 225/65 R17 102H All-season	●	—
	2.5i Limited, 2.5i Touring, 3.6R Limited and 3.6R Touring: 225/60 R18 100H All-season	●	●
Spare Tire	Temporary use T155/80 R17	●	●

2017 Outback | Equipment

Exterior	2.5i	2.5i Premium	2.5i Limited	2.5i Touring	3.6R Limited	3.6R Touring
Projector-beam low-beam and multireflector high-beam halogen headlights	●	●	●	—	—	—
HID projector low-beam and multireflector high-beam halogen headlights	—	—	○ ³	●	●	●
Fog lights (Steering-responsive when equipped with EyeSight®)	—	●	●	●	●	●
Body-color folding side mirrors	—	●	—	—	—	—
Body-color folding side mirrors with integrated turn signals	—	○ ³	●	●	●	●
Heated side mirrors and windshield wiper de-icer (All-Weather Package)	—	●	●	●	●	●
Power tilt/sliding-glass moonroof (95% UVA and 99% UVB light reducing) ⁴	—	○ ³	●	●	●	●
Roof rails with integrated and retractable cross bars and tie-downs (150 lbs maximum capacity)	●	●	●	—	●	—
Touring Appearance Upgrades: Unique dark-gray front grille, dark-gray with machine finish alloy wheels, low-profile roof rails with silver finish, lower door cladding with chrome accents, body-color door handles with chrome inserts and rear bumper cover	—	—	—	●	—	●
Seating and Trim						
6-way manually adjustable driver's seat. 4-way manually adjustable front-passenger's seat.	●	—	—	—	—	—
10-way power adjustable driver's seat with power adjustable lumbar support. 4-way manually adjustable front-passenger's seat.	—	●	—	—	—	—
10-way power adjustable driver's seat with 2-position memory and power adjustable lumbar support. 4-way power front-passenger's seat.	—	—	●	●	●	●
Heated front seats (All-Weather Package)	—	●	—	—	—	—
Heated front and rear seats (All-Weather Package)	—	—	●	●	●	●
Heated steering wheel	—	—	—	●	—	●
Reclining, 60/40-split flat-folding rear seatbacks	●	●	●	●	●	●
Leather-wrapped steering wheel and shifter handle	—	●	●	●	●	●
Cloth upholstery	●	●	—	—	—	—
Leather-trimmed upholstery	—	—	●	●	●	●
Silver metallic accent trim with knurled finish	●	●	—	—	—	—
Matte woodgrain-patterned accent trim	—	—	●	—	●	—
Unique satin finish woodgrain-patterned trim with silver accents	—	—	—	●	—	●
Convenience Features						
Keyless Access with Push-button Start and PIN-code vehicle access	—	—	●	●	●	●
Power rear gate with automatic close and height memory	—	○ ³	●	●	●	●
Welcome lighting (when approaching or departing vehicle)	●	●	●	●	●	●
Auto-on/off wiper-linked headlights	●	●	●	●	●	●
Auto-dimming rearview compass mirror with HomeLink®	—	○ ³	●	●	●	●
Driver's and front-passenger's auto-up/down power windows	—	●	●	●	●	●
Electronic cruise control	●	●	●	●	●	●
3-spoke steering wheel with audio system, Bluetooth® and cruise control buttons	●	●	●	●	●	●
Manually adjustable tilt/telescoping steering column	●	●	●	●	●	●
8 cup and bottle holders	●	●	●	●	●	●
Cargo-area tray and underfloor storage compartment	●	●	●	●	●	●
Audio and Communication Systems						
SUBARU STARLINK™ 6.2" Multimedia System with Pandora®, iHeart® Radio, Stitcher™ and Aha™ smartphone app integration ⁵ , high-resolution LCD touchscreen display, 4 speakers, AM/FM/CD player, HD Radio® with iTunes® tagging capability, USB port/iPod® control, Bluetooth® audio streaming and hands-free phone connectivity, and 3.5-mm auxiliary jack	●	—	—	—	—	—
SUBARU STARLINK™ 7.0" Multimedia Plus System with Pandora®, iHeart® Radio, Stitcher™ and Aha™ smartphone app integration ⁵ , high-resolution LCD touchscreen display, voice-activated controls, Siri® Eyes-Free, AM/FM/CD player, HD Radio® dual USB port/iPod® control, SiriusXM® Satellite Radio ⁶ and Travel Link ^{6g} , Bluetooth® audio streaming and hands-free phone and text messaging connectivity, and 3.5-mm auxiliary jack	—	●	●	—	●	—
SUBARU STARLINK™ 7.0" Multimedia Navigation System: Voice-activated 7-inch multi-touch gesture high-resolution GPS navigation system with SiriusXM® Satellite Radio ⁶ , Traffic ^{6f} and Travel Link ^{6f} , USB port/iPod® control, Siri® Eyes-Free, Bluetooth® audio streaming, hands-free phone and text messaging connectivity and voice-activated controls for navigation, phone and audio system, 3.5-mm auxiliary jack, and Pandora®, iHeart® Radio, Stitcher™ and Aha™ smartphone app integration ⁵	—	○ ³	○ ³	●	○ ³	●
Six speakers	—	●	—	—	—	—
Harman Kardon® GreenEdge® speaker system with 12 speakers and 576-watt equivalent amplifier	—	—	●	●	●	●

2017 Outback | Equipment

Climate Control	2.5i	2.5i Premium	2.5i Limited	2.5i Touring	3.6R Limited	3.6R Touring
Manually adjustable CFC-free air-conditioning system with controls for temperature, fan speed and airflow direction	●	—	—	—	—	—
Dual-zone automatic digital climate control system with controls for temperature, fan speed, airflow direction, dual-zone lockout and CFC-free air conditioning	—	●	●	●	●	●
Instrumentation						
Analog speedometer, tachometer, coolant temperature and fuel level gauges. LCD color screen, displaying vehicle functions.	●	—	—	—	—	—
Electroluminescent analog speedometer, tachometer, coolant temperature and fuel level gauges. LCD color screen, displaying enhanced vehicle functions.	—	●	●	●	●	●
Security						
Keyless entry system with answer-back electronic chirp	●	●	●	●	●	●
Anti-theft security system with engine immobilizer	●	●	●	●	●	●
Safety						
ACTIVE						
Subaru Symmetrical All-Wheel Drive (AWD)	●	●	●	●	●	●
EyeSight® Driver Assist Technology ⁸	—	○ ³	○ ³	●	○ ³	●
Blind-Spot Detection with Lane Change Assist and Rear Cross-Traffic Alert ⁹	—	○ ³	●	●	●	●
High Beam Assist (HBA)	—	○ ³	○ ³	●	○ ³	●
Reverse Automatic Braking (RAB) ¹⁰	—	—	○ ³	●	○ ³	●
Tire Pressure Monitoring System (TPMS)	●	●	●	●	●	●
Daytime Running Lights (DRL)	●	●	●	●	●	●
Rear-Vision Camera (hi-resolution)	●	●	●	●	●	●
PASSIVE						
STARLINK™ Safety Plus enabled ¹¹ : Automatic Collision Notification, SOS Emergency Assistance, Enhanced Roadside Assistance, Maintenance Notifications, Monthly Vehicle Health Report, Diagnostic Alerts	—	●	●	●	●	●
Subaru advanced frontal airbag system with driver's and front-passenger's front airbags (SRS) ¹²	●	●	●	●	●	●
Driver and front-passenger's seat cushion airbags (SRS) ¹²	●	●	●	●	●	●
Side-curtain airbags with rollover sensor protecting front and rear outboard occupants (SRS) ¹²	●	●	●	●	●	●
Seat-mounted front side-impact airbags (SRS) ¹²	●	●	●	●	●	●
Whiplash-protection front seats with height-adjustable head restraints	●	●	●	●	●	●
Height-adjustable 3-point front seatbelts with pretensioners and force limiters	●	●	●	●	●	●
3-point seatbelts at all rear seating positions	●	●	●	●	●	●
Rear child-safety locks	●	●	●	●	●	●
LATCH system: Lower Anchors and Tethers for CHildren	●	●	●	●	●	●
Optional Equipment						
STARLINK™ Safety Plus & Security Plus Connected Services ¹³	—	○	○	○	○	○
Power rear gate with height memory • Power Moonroof Package	—	○	—	—	—	—
EyeSight® Driver Assist Technology ⁸ • Blind-Spot Detection with Rear Cross-Traffic Alert ⁹ • High Beam Assist (HBA) • Power rear gate with height memory	—	○	—	—	—	—
EyeSight® Driver Assist Technology ⁸ • Blind-Spot Detection with Rear Cross-Traffic Alert ⁹ • High Beam Assist (HBA) • SUBARU STARLINK™ 7.0" Multimedia Navigation System • Power rear gate with height memory • Power Moonroof Package	—	○	—	—	—	—
EyeSight® Driver Assist Technology ⁸ • High Beam Assist (HBA) • Reverse Automatic Braking (RAB) ¹⁰ • SUBARU STARLINK™ 7.0" Multimedia Navigation System • HID low-beam headlights ¹⁴	—	—	○	—	○	—
EQUIPMENT CONTENTS						
Power Moonroof Package: Power tilt/sliding-glass moonroof and auto-dimming rearview compass mirror with HomeLink®						
EyeSight® Driver Assist Technology⁸: Pre-Collision Braking System, Pre-Collision Throttle Management, Lane Departure and Sway Warning with Lane Keep Assist, Adaptive Cruise Control						
STARLINK™ Safety Plus & Security Plus¹³: Includes STARLINK™ Safety Plus Connected Services and adds Stolen Vehicle Recovery, Remote Lock/Unlock, Remote Horn & Lights, Remote Vehicle Locator and Vehicle Security Alarm Notification						
● Standard ○ Optional — Not equipped □ Available retailer-installed accessory						



All-weather Floor Mats. Custom-fitted, heavy-gauge protective mats. Help protect vehicle's carpet from sand, dirt and moisture. Not intended for use on top of carpeted floor mats.



Compartment Separator. Helps to separate cargo from the passenger area.



Rear Seatback Protectors. Provide additional protection to the rear seatbacks when lowering the seats to transport larger cargo. Use in conjunction with the Rear Cargo Tray.



Trailer Hitch. Heavy-duty rated at 2,700 lbs. towing capacity and 200 lbs. tongue weight. Hitch ball not included. Trailer brakes may be needed.



Rear Bumper Cover. Helps protect the upper surface of painted rear bumper from scratches and dings.



Body Side Moldings. Attractive color-matched moldings coordinate with the styling of the vehicle while helping to protect doors from unsightly dings.



Wheel Arch Molding Kit. Black textured moldings help protect the wheel arch areas while adding a rugged yet classy look. The wheel arch moldings look great with the addition of the accessory Splash Guards.



Splash Guards. Help protect the vehicle's paint finish from stones and road grime.



Side Window Deflectors. Let the fresh air in while helping to keep the weather out. Deflector design includes integrated chrome insert to match window frame trim.

Side Window Deflectors may not be legal in all states. Please check the laws of your state.



Auto-dimming Mirror with HomeLink® This upgraded auto-dimming mirror detects glare and darkens automatically to protect your vision while featuring an 8-point digital compass. Three backlit HomeLink® buttons can be programmed to operate most garage doors, security gates, home lighting and more. Can also provide you with the last status of your garage door (open or closed) if programmed to a compatible opener featuring two-way communication.



Remote Engine Starter. Allows vehicle to be started by pushing a button from the convenience of home or office (up to 400 feet away depending on obstructions) so that the vehicle interior is more comfortable upon entry. The start/stop button blinks to confirm the engine has started.

A/T only.



Door Edge Guards. Help protect your door edges from dings and dents with custom-fit, body-color-matched Door Edge Guards. They are easy to install and preserve the appearance of your Subaru while seamlessly blending into the door design.

Protecting Your Investment

Once you're part of our family, we'll be there for you. Every Subaru comes with 24-hour roadside assistance for 3 years or 36,000 miles. If you have trouble on the road, a tow to the nearest Subaru retailer and other services are just a phone call away. And to protect you over the long haul, we offer Added Security®...ask for it by name—extended service agreements and maintenance plans that will help protect your car for up to 7 years or 100,000 miles. They're the only mechanical and maintenance plans backed by Subaru, and because we've been backing them for more than 30 years, they're agreements you can trust. Your retailer has full coverage details.

Subaru Badge of Ownership

True commitment shows through. For Subaru owners, it shows in kayak scuffs and snowboard scratches. It can take the form of dog hair that just won't come out, fresh coats of dust, or extra coats of wax. For many, the Subaru Badge of Ownership lets them show their commitment to the life they live and the confidence that has inspired them to fully embrace it. Owners can order badges online for free, stick them on, and let everyone know how they experience the world. Which one will you get?



Durability



Responsible. Reliable. Ready to join the family.

At Subaru, we're committed to building a lasting, rewarding relationship with you and the world we share. We start by building our vehicles to last—it's why the Outback is the longest-lasting vehicle in its class.¹⁵ We also share your desire for a cleaner, greener world. Select 2017 Outback 2.5i models achieve Partial Zero Emission Vehicle—PZEV¹—status because of their exceptionally low emissions. What's more, in 2004, Subaru of Indiana Automotive, Inc. (SIA) became the first manufacturing facility in the U.S. to reach zero-landfill status—nothing from its manufacturing efforts ever goes into a landfill. Subaru is also headquartered in a zero-landfill office in Cherry Hill, N.J.

Warranties

New Car Limited Warranty	3 years or 36,000 miles, whichever comes first.	
Powertrain Limited Warranty	5 years or 60,000 miles, whichever comes first.	
Wear Item Limited Warranty	3 years or 36,000 miles, whichever comes first.	<ul style="list-style-type: none"> • Brake Pads • Wiper Blades • Clutch Linings • Transmitter Batteries
Rust Perforation Limited Warranty	5 years, unlimited mileage.	
24-hour Roadside Assistance	3 years or 36,000 miles, whichever comes first.	

1 2017 Outback 2.5L models achieving a Partial Zero Emission Vehicle (PZEV) rating by the California Air Resources Board are available in all 50 states. Only those registered in California, Connecticut, Maine, Maryland, Massachusetts, New Jersey, New York, Rhode Island and Vermont will be eligible for the 15 years/150,000 miles emission warranty. Delaware, Oregon, Pennsylvania and Washington vehicles are not covered under PZEV emissions control warranty. See your warranty maintenance booklet for additional information. 2 2017 EPA fuel economy estimates. Actual mileage may vary. 3 Available only with other features. See Optional Equipment listing. 4 The glass information listed represents calculated reference values, and may not represent actual values determined by testing. 5 Compatible smartphone and applications required. For applications to operate, latest version of each application is required. Data provided by smartphone is displayed on the audio system screen. Some state laws prohibit the operation of handheld electronic devices while operating a vehicle. Smartphone apps should only be launched when vehicle is safely parked. Your wireless carrier's rates may apply. 6 Activation and required monthly subscription sold separately. Includes 4-month trial subscription. See your retailer. 7 Activation and monthly subscription sold separately. Includes 3-year trial subscription. See your retailer. 8 EyeSight is a driver assist technology, which may not operate optimally under all driving conditions. The driver is always responsible for safe and attentive driving. System effectiveness depends on many factors such as vehicle maintenance, weather and road conditions. Pre-Collision Braking System is designed to provide automatic braking that either prevents a collision or reduces the severity of a frontal impact. Pre-Collision Throttle Management is designed to reduce acceleration and minimize the severity of certain frontal impacts. Adaptive Cruise Control and Brake Light Recognition are designed to assist the driver and are not substitutes for safe and attentive driving. The Lane Departure and Sway Warning with Lane Keep Assist operates only when the lane markings are visible and its effectiveness depends on many factors. See Owner's Manual for complete details on system operation and limitations. Please remember to turn off EyeSight when going through a carwash. 9 Blind-Spot Detection, Lane Change Assist and Rear Cross-Traffic Alert are systems designed to assist the driver by monitoring the rear and side areas of the vehicle during a lane change or reversing and are not a substitute for safe and attentive driving. 10 This system is not a substitute for safe and attentive driving. System effectiveness depends on many factors, such as vehicle maintenance, weather and road conditions. Always exercise caution and use vehicle mirrors and the Rear-Vision Camera when backing up. See Owner's Manual for complete details on system operation and limitations. 11 Activation and required subscription sold separately. Includes one-year trial subscription. See your retailer for details. 12 The Supplemental Restraint System (SRS) (airbags) affords the driver and the front passenger additional protection in moderate to severe frontal and side-impact collisions and outboard 2nd-row passengers additional protection in moderate to severe side-impact collisions. This system provides supplemental protection only, and seatbelts must be worn in order to avoid injuries to out-of-position occupants upon airbag deployment and to provide the best combined protection in a serious accident. Children should always be properly restrained in one of the rear seats. See Owner's Manual for recommended seating position. 13 Activation with subscription is required. See your retailer for details. 14 HID headlights standard on 3.6R Limited. 15 Longevity based on IHS Automotive, Polk U.S. vehicles in operation registration statistics MY2008-2014 in the Non-Luxury Midsize CUV category as of October 2015.



Compartment Separator. Helps to separate cargo from the passenger area.



Rear Seatback Protectors. Provide additional protection to the rear seatbacks when lowering the seats to transport larger cargo. Use in conjunction with the Rear Cargo Tray.



Rear Bumper Cover. Helps protect the upper surface of painted rear bumper from scratches and dings.



Body Side Moldings. Attractive color-matched moldings coordinate with the styling of the vehicle while helping to protect doors from unsightly dings.



Not Dimmed



Dimmed

Auto-dimming Mirrors with Approach Light

Make it easier—and safer—to come and go with the accessory Exterior Auto-dimming Mirrors with Approach Light.¹

When the doors are opened or unlocked with the key fob, LED lights on the side-view mirrors will help illuminate the way, casting light on all four doors and the ground near the vehicle.

They can also help reduce headlight glare in traffic. When the Interior Auto-dimming Rearview Mirror detects excessive light from the rear of the vehicle, the side-view mirrors automatically dim, helping to keep the glare out of your eyes. The brighter the light, the dimmer the mirrors and the better you'll be able to see.

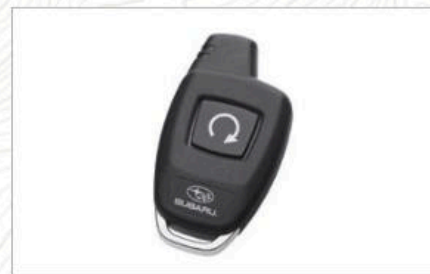


Splash Guards. Help protect the vehicle's paint finish from stones and road grime.



Side Window Deflectors. Let the fresh air in while helping to keep the weather out. Deflector design includes integrated chrome insert to match window frame trim.

Side Window Deflectors may not be legal in all states. Please check the laws of your state.



Remote Engine Starter. Allows vehicle to be started by pushing a button from the convenience of home or office (up to 400 feet away depending on obstructions) so that the vehicle interior is more comfortable upon entry. The start/stop button blinks to confirm the engine has started.

A/T only.



Door Edge Guards. Help protect your door edges from dings and dents with custom-fit, body-color-matched Door Edge Guards. They are easy to install and preserve the appearance of your Subaru while seamlessly blending into the door design.



Outfit your Outback.

When your passion is bigger than your cargo area, look no further than our Genuine Subaru active lifestyle accessory attachments manufactured by Thule.® Battle-tested and owner-approved, they'll help you transport gear like bikes, skis, snowboards, kayaks and paddleboards, so your Subaru perfectly complements your active lifestyle.



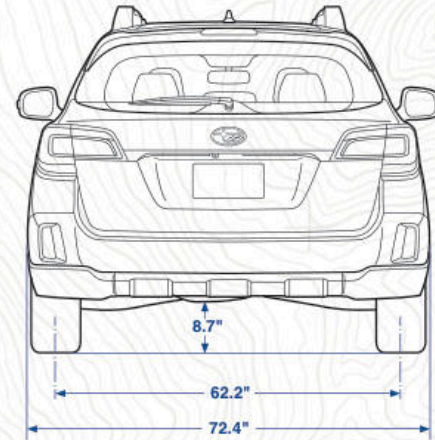
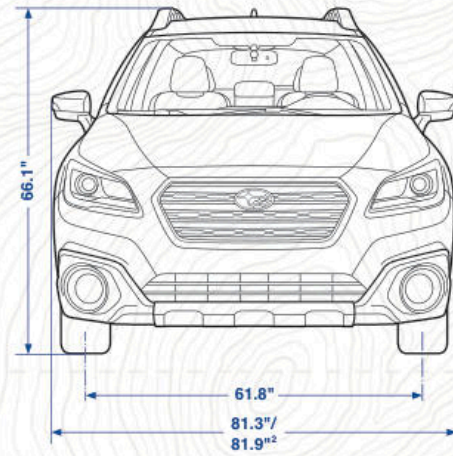
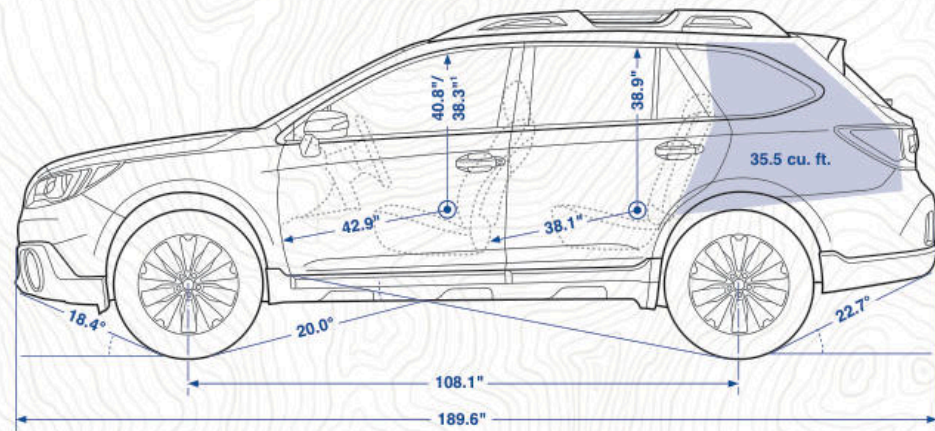
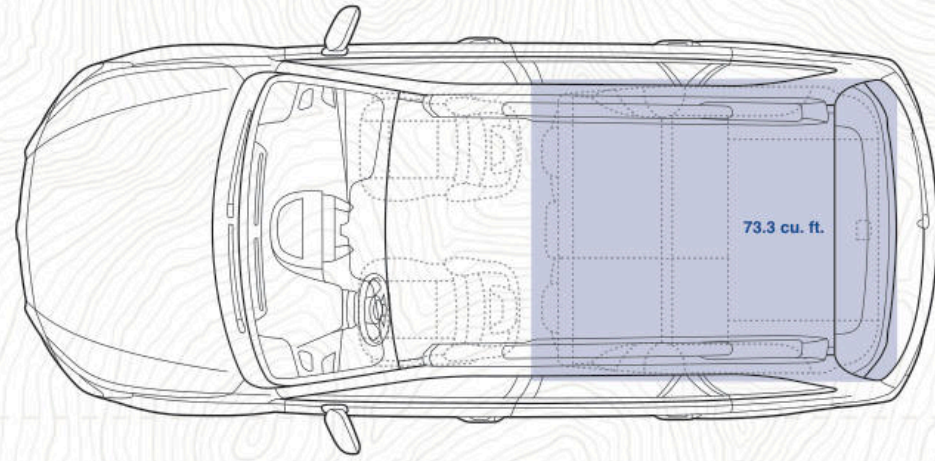
Thule® Bike Carriers – Universal Fork Mount and Roof-Mounted



Thule® Roof Cargo Carrier – Extended

¹ Exterior Auto-dimming Mirrors with Approach Light are accessory equipment. Requires Interior Auto-dimming Rearview Mirror.

2017 Outback | Dimensions



Length	189.6 inches	Ground clearance	8.7 inches (at base curb weight)
Width	72.4 inches (81.3 inches/81.9 inches ² including mirrors)	Headroom (front/rear)	40.8 inches/38.9 inches (with available moonroof: 38.3 inches/38.9 inches)
Height	66.1 inches (Touring: 65.2 inches)	Legroom (front/rear)	42.9 inches/38.1 inches
Wheelbase	108.1 inches	Shoulder room (front/rear)	58.1 inches/57.3 inches
Track (front/rear)	61.8 inches/62.2 inches	Hip room (front/rear)	55.5 inches/55.0 inches
Base curb weight	2.5i: 3,580 lbs 2.5i Premium: 3,600 lbs 2.5i Limited: 3,671 lbs 2.5i Touring: 3,684 lbs 3.6R Limited: 3,847 lbs 3.6R Touring: 3,856 lbs	Passenger volume	108.1 cubic feet (with available moonroof: 104.5 cubic feet)
		Cargo volume	35.5 cubic feet
		Maximum cargo volume	73.3 cubic feet with rear seatback folded

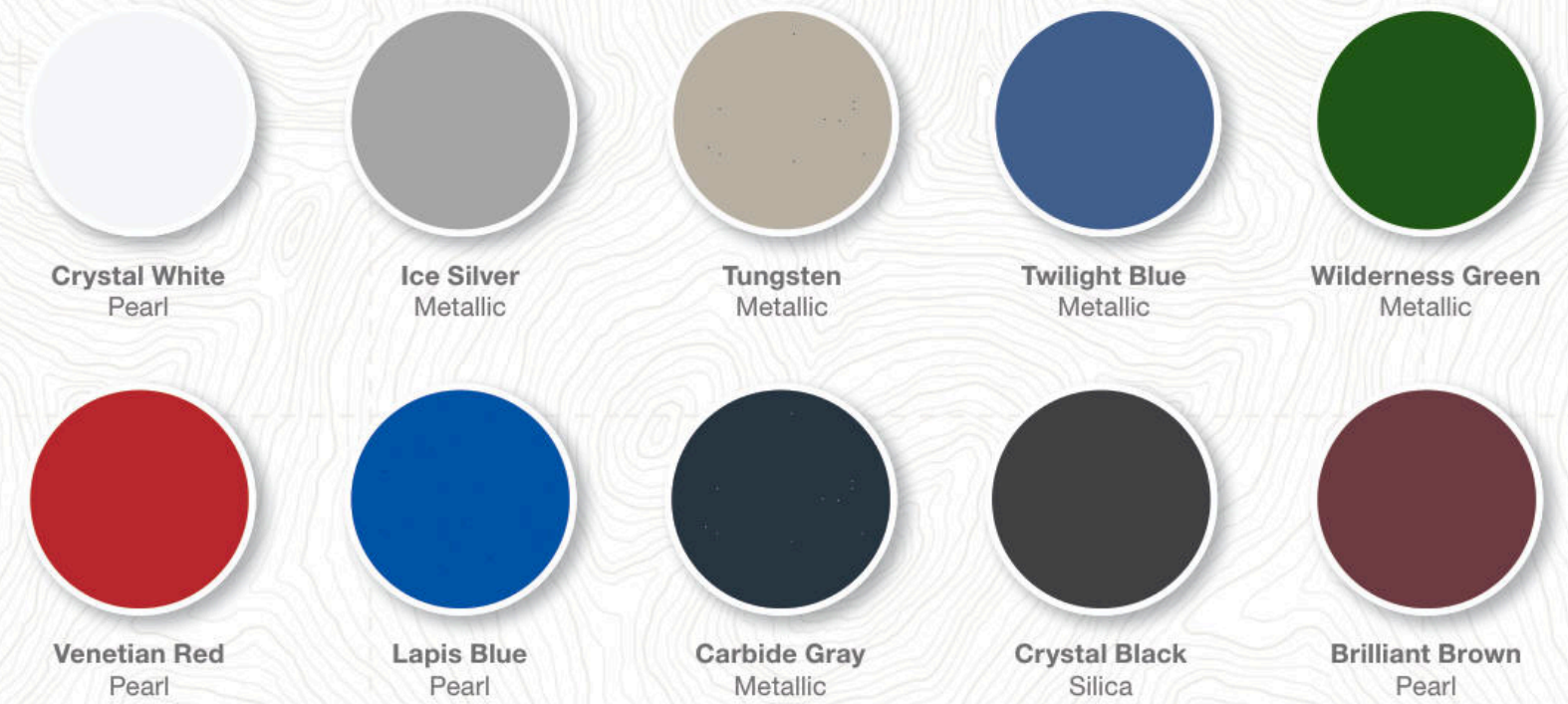
¹ With available moonroof. Moonroof availability varies by trim level. ² With integrated turn signals.

Some images shown are for illustration purposes only. Specifications in this brochure are based on the latest product information available at the time of publication. For the most up-to-date and detailed product information, log on to www.subaru.com. Some equipment shown in photography in this brochure is optional at extra cost. Specific options may be available only in combination with other options. Specific combinations of equipment or features may vary from time to time and by geographic area. Certain accessories and equipment may not be available at the time of publication. Subaru of America, Inc., reserves the right to change or discontinue at any time, without notice, prices, colors, materials, equipment, accessories, specifications, models and packages without incurring any obligation to make the same or similar changes on vehicles previously sold. Colors shown may vary due to reproduction and printing processes.

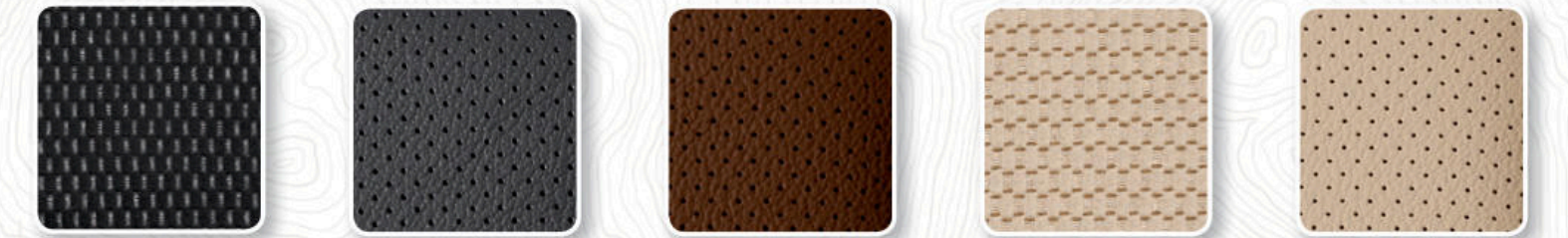
This brochure was prepared by Subaru of America, Inc. A warranty from Subaru of America, Inc., is available only on cars sold to the first retail purchaser through an authorized Subaru retailer in the continental U.S. or Alaska. Every owner of the car during the warranty period shall be entitled to the benefit of these warranties. Subaru, SUBARU BOXER, Lineartronic, EyeSight and X-MODE are registered trademarks of Fuji Heavy Industries, Ltd. Confidence in Motion and STARLINK are trademarks of Fuji Heavy Industries, Ltd. Outback and Added Security are registered trademarks of Subaru of America, Inc. Harman Kardon® is a registered trademark of Harman International Industries, Inc. Aha™ is a trademark of Harman International Industries, Inc. Bluetooth® is a registered trademark of Bluetooth SIG, Inc. HD Radio® is a registered trademark of iBiquity Digital Corporation. HomeLink® and the HomeLink house icon are registered trademarks of Gentex Corporation. Apple®, App Store®, Siri®, iPod® and iTunes® are registered trademarks of Apple Inc. SiriusXM® Traffic® and Travel Link® are registered trademarks of SiriusXM Radio, Inc. iHeart® Radio is a registered trademark of Clear Channel Communications, Inc. Pandora® is a registered trademark of Pandora Media, Inc. Stitcher™ is a trademark of Stitcher, Inc. Thule® is a registered trademark of the Thule Group. For more information, contact your Subaru retailer or log on to www.subaru.com.

2017 Outback | Colors

Paint



Upholstery



Slate Black Cloth (SBC) **Slate Black Leather (SBL)** **Java Brown Leather (JBL)** **Warm Ivory Cloth (WIC)** **Warm Ivory Leather (WIL)**

Color Combinations

	2.5i	2.5i Premium	2.5i Limited	2.5i Touring	3.6R Limited	3.6R Touring
Crystal White Pearl	SBC or WIC	SBC or WIC	SBL or WIL	JBL	SBL or WIL	JBL
Ice Silver Metallic	SBC	SBC	SBL	—	SBL	—
Tungsten Metallic	WIC	WIC	WIL	—	WIL	—
Twilight Blue Metallic	SBC or WIC	SBC or WIC	SBL or WIL	—	SBL or WIL	—
Wilderness Green Metallic	WIC	WIC	WIL	JBL	WIL	JBL
Venetian Red Pearl	SBC or WIC	SBC or WIC	SBL or WIL	—	SBL or WIL	—
Lapis Blue Pearl	WIC	WIC	WIL	JBL	WIL	JBL
Carbide Gray Metallic	SBC	SBC	SBL	—	SBL	—
Crystal Black Silica	SBC or WIC	SBC or WIC	SBL or WIL	JBL	SBL or WIL	JBL
Brilliant Brown Pearl	—	—	—	JBL	—	JBL

— Not available

Take a Guided Tour

It's the ultimate way to get to know the Outback on your terms. Get up close and personal with color configurators, videos, 360-views, interactive content and so much more.



Online:
tour.subaru.com/Outback2017



App Store:
tour.subaru.com/Outbackapp



These brochures were printed with vegetable-based inks and produced using a "Green Printing Process." The Forest Stewardship Council® (FSC®) is an international organization that brings people together to find solutions which promote responsible stewardship of the world's forests and environments.

By producing these brochures in a green way rather than by traditional methods, we saved 74 trees preserved for the future; 34,772 gallons of wastewater flow saved; 2,327 lbs solid waste not generated; 6,411 lbs net greenhouse gases prevented; 33,000,000 BTUs energy not consumed. Calculations provided by Environmental Paper Network. FSC® is not responsible for any calculations on saving resources by choosing this paper.

This brochure is printed in the U.S.A. on 10% recycled paper. ©2016 Subaru of America, Inc. 170BK.SRB.525 (S-18272, 150K, 6/16, CG)



Love. It's what makes a Subaru, a Subaru.

