

# MIRAI

Fuel Cell Vehicle



 **LEAVE YOUR MARK** BY LEAVING NO MARK AT ALL.

Show your support at [toyota.com/mirai](https://toyota.com/mirai)

# MIRAI

FUEL CELL VEHICLE



Let's  
Go  
Places

## OVERVIEW

### A Turning Point in the Future of Transportation

The Toyota Mirai Fuel Cell vehicle provides next generation mobility with an advanced technology fuel cell powertrain. The Mirai also has premium features that make it a leading vehicle that is a dream to drive.

Features including:

#### EXTERIOR

- Aerodynamic styling
- Heated outside mirrors with power folding feature
- Touch sensor lock/unlock door handles
- 17" Alloy Wheels
- Air intakes to guide air into the FC system
- LED Headlamps – with Auto High Beam feature
- LED Daytime Running Lights

#### INTERIOR

- Luxurious and comfortable interior
- Extremely quiet cabin with acoustic noise reducing windshield and driver side/front passenger windows
- 10-way power heated SofTex front seats; heated rear seats
- Heated power tilt/telescoping steering wheel with multifunction controls
- Intelligent touch controls for Climate and Audio
- Premium Audio System with Navigation, JBL® and Entune®App Suite



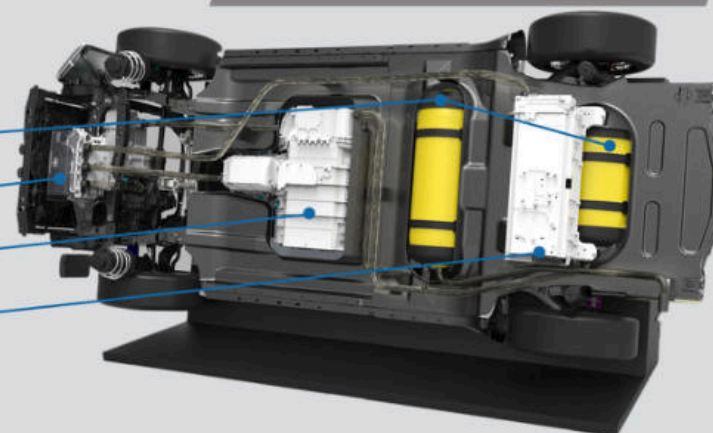
## SPECIFICATIONS

- Approximately 300 mile range
- Refuel time- about 5 minutes
- CA Zero Emissions Vehicle
- System output – 151 hp
- Torque- 247 lb-ft
- Dynamic tuning for fun to drive handling
- Regenerative braking
- Star Safety system
- Advanced safety features including:
  - Lane Departure Alert
  - Pre-collision system
  - Blind Spot Monitor with Cross-Traffic Alert
  - Front and Rear Parking Assist Sonar

## THE TURNING POINT

### TOYOTA FUEL CELL SYSTEM

- Hydrogen Storage** Carbon Fiber reinforced hydrogen tanks developed by Toyota.
- Power Control Unit** This controls fuel cell output and battery charging and discharging in accordance with driving conditions.
- Fuel Cell Stack** Developed by Toyota, this high-performance polymer electrolyte fuel cell has a 100+ kW output.
- Battery** Stores energy recovered during deceleration and supplements fuel cell output during low speed acceleration.



For more information, please visit: [www.toyota.com/fuelcell](http://www.toyota.com/fuelcell)